

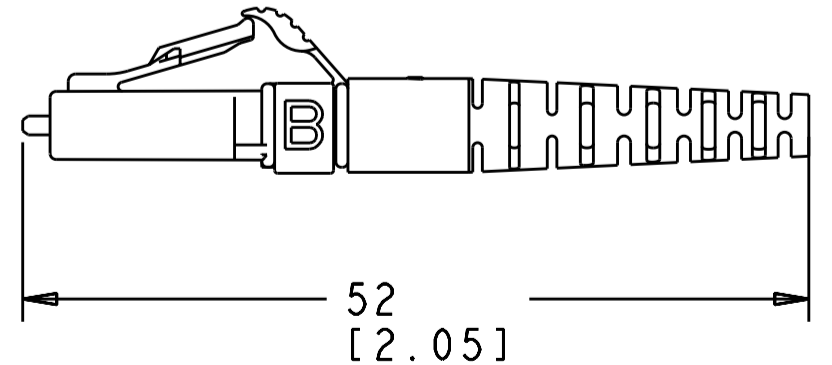
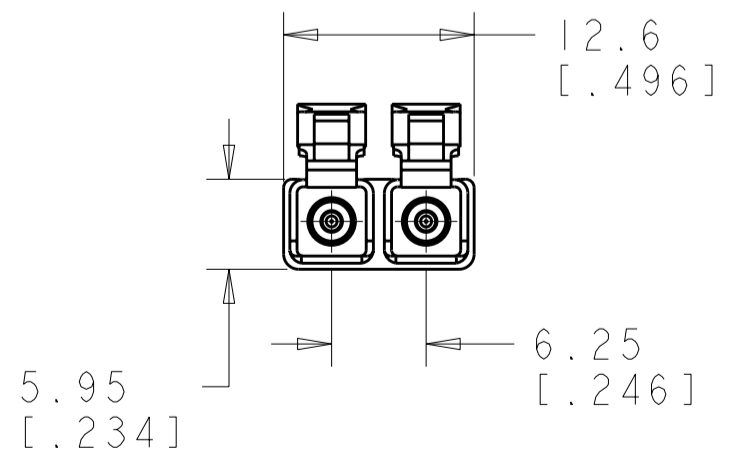
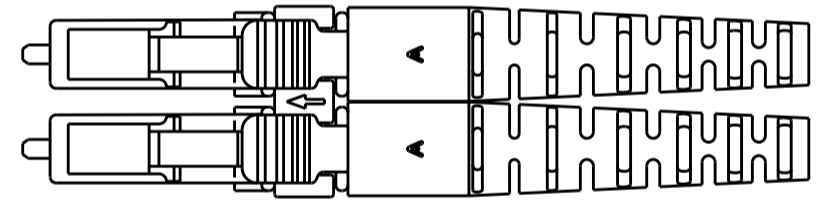
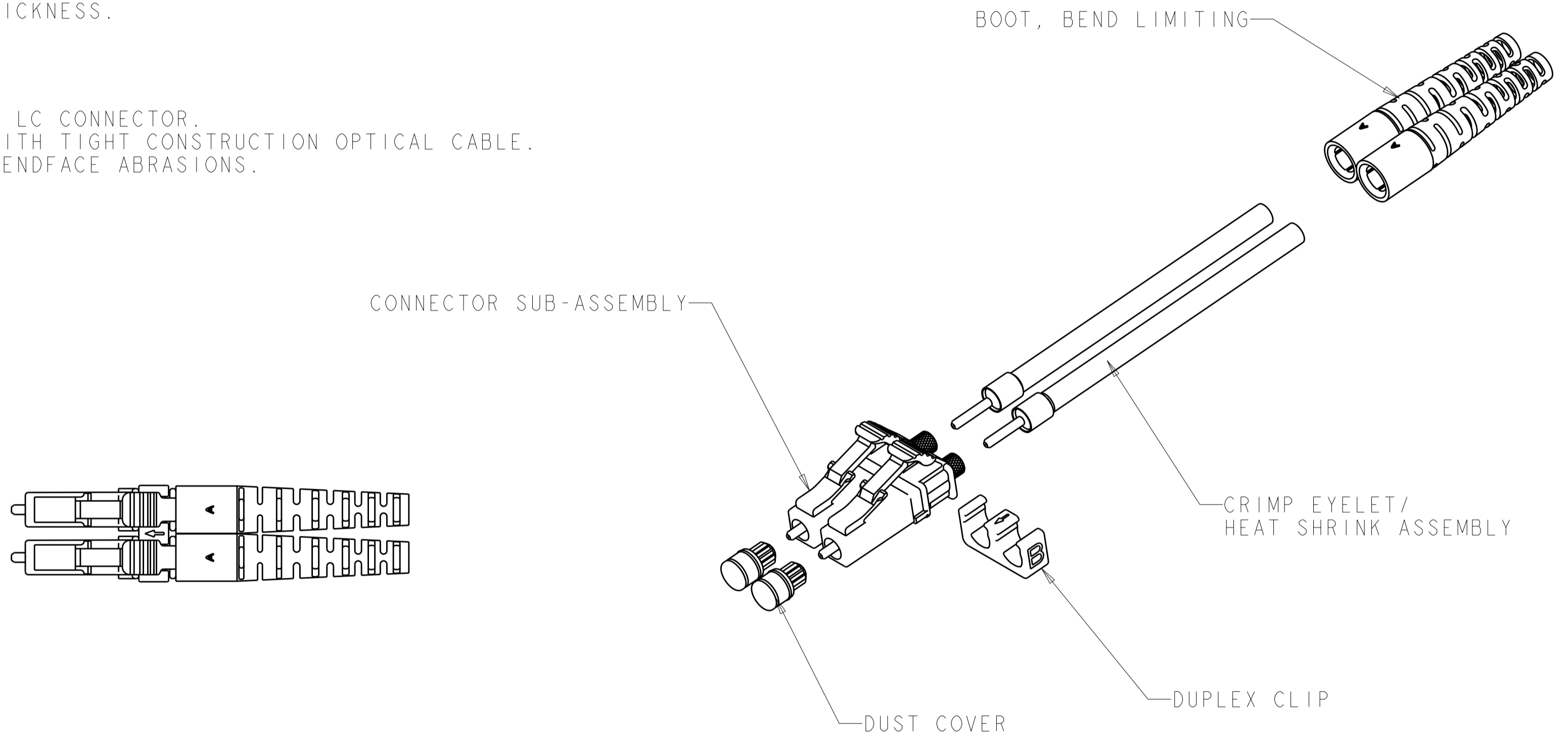
THIS DRAWING IS UNPUBLISHED. RELEASED FOR PUBLICATION
 © COPYRIGHT BY TYCO ELECTRONICS CORPORATION. ALL INTERNATIONAL RIGHTS RESERVED.

| LOC | | DIST | | REVISIONS | | | |
|-----|-----|-----------------------|-----------|-----------|------|--|--|
| P | LTR | DESCRIPTION | DATE | DWN | APVD | | |
| | A | ECO-07-016319 | 16JUL2007 | DHR | DHR | | |
| | B | REV PER ECR-10-010066 | 20MAY2010 | IL | CT | | |

1 MATERIAL: PROTECTIVE COVER: TPE, COLOR: BLACK, UL 94 HB. *
 FERRULE SUB ASSEMBLY: ZIRCONIA/ALUM. ALLOY
 COMPRESSION SPRING: STAINLESS STEEL.
 FRONT HOUSING: PPSU, COLOR BLUE, UL 94 V-0. *
 REAR BODY: ALUM. ALLOY
 DUPLEX CLIP: PEI, COLOR: BLACK, UL 94 V-0. *
 BOOT: PP, COLOR: BLUE, UL 94 V-0. *
 CRIMP EYELET/HEAT SHRINK ASSY: ALUM. ALLOY, HEAT SHRINK: POLYOLEFIN, UL VW-1.
 * RATED AT QUALIFYING THICKNESS.

2 BULK PACKAGE

3. THIS IS A NON-PULL PROOF LC CONNECTOR.
 IT IS DESIGNED FOR USE WITH TIGHT CONSTRUCTION OPTICAL CABLE.
 UNDER LOADS YOU MAY SEE ENDFACE ABRASIONS.



| | |
|---|-----------|
| 2 | 6828130-2 |
| | 6828130-1 |
| | PART NO. |

| | | | | |
|---|--|-------------------------------|--|-----------------|
| THIS DRAWING IS A CONTROLLED DOCUMENT FOR TYCO ELECTRONICS CORPORATION. IT IS SUBJECT TO CHANGE AND THE CONTROLLING ENGINEERING ORGANIZATION SHOULD BE CONTACTED FOR THE LATEST REVISION. | | DWN E. HALEY 14OCT2005 | Tyco Electronics Corporation Shanghai, China | |
| DIMENSIONS: mm [INCHES] | | CHK D. ROHDE 14OCT2005 | NAME CONNECTOR KIT, LC, DUPLEX, SM, JUMPER, TIGHT JACKET STYLE, 1.6 - 2.0mm | |
| TOLERANCES UNLESS OTHERWISE SPECIFIED: 0 PLC ± 1 PLC ±0.1 [.004] 2 PLC ±0.01 [.0004] 3 PLC ± 4 PLC ± ANGLES ± FINISH | | APVD D. ROHDE 14OCT2005 | RESTRICTED TO | |
| MATERIAL | | PRODUCT SPEC | SIZE A2 | CAGE CODE |
| 1 | | APPLICATION SPEC | DRAWING NO. G-6828130 | REV B |
| CUSTOMER DRAWING | | WEIGHT | SCALE 2:1 | SHEET 1 OF 1 |

单击下面可查看定价，库存，交付和生命周期等信息

[>>TE Connectivity\(泰科\)](#)