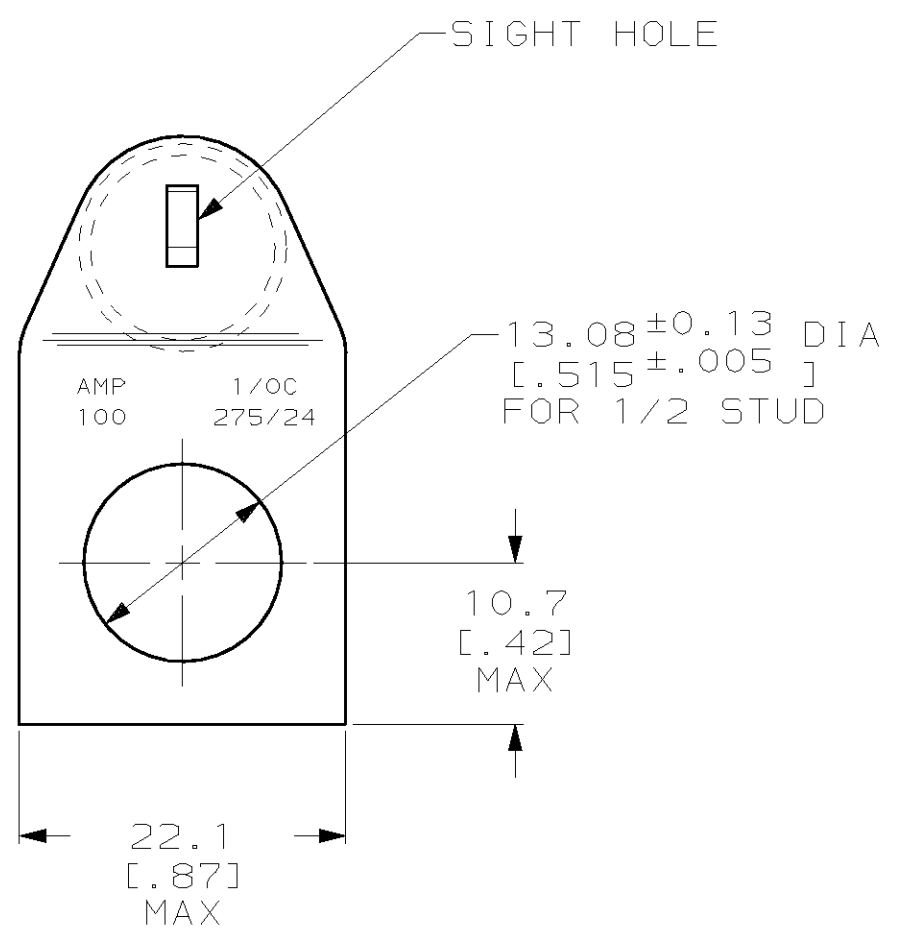
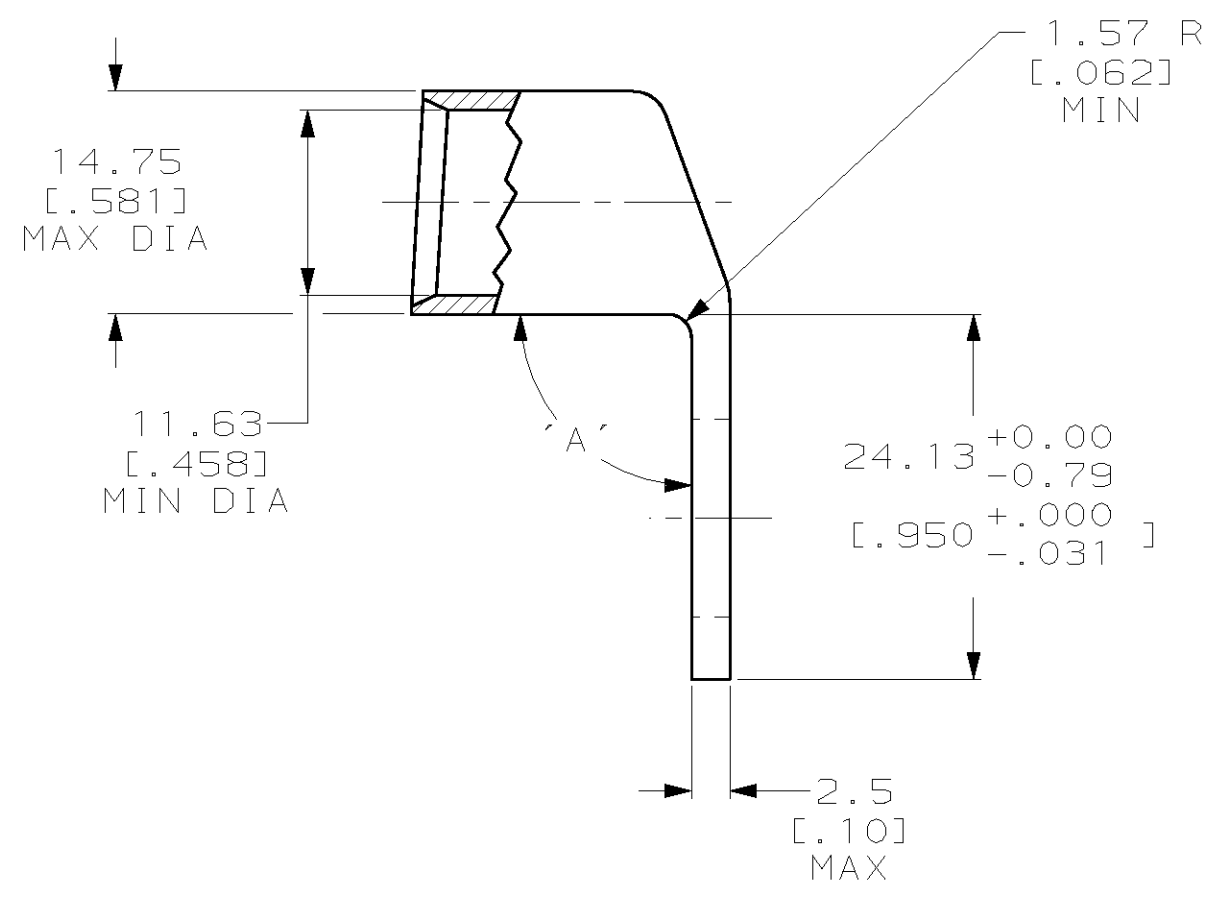


THIS DRAWING IS UNPUBLISHED. RELEASED FOR PUBLICATION ,19 .
 © COPYRIGHT 19 BY AMP INCORPORATED. ALL RIGHTS RESERVED.

LOC	DIST	REVISIONS					
G	86	P	LTR	DESCRIPTION	DATE	DWN	APVD
		F		REV PER 0G3A-0561-01	030CT02	JR	MS



OBSOLETE	120°	54628-3
	90° +10° - 0°	54628-2
	'A'	PART NUMBER

AMP INCORPORATED
CUSTOMER SERVICE SYSTEMS

FOR ADDITIONAL PRODUCT INFORMATION OR COPIES OF DRAWINGS AND TECHNICAL DOCUMENTS: PRODUCT INFORMATION CENTER 1-800-522-6752

FOR APPLICATION TOOLING INFORMATION: TOOLING ASSISTANCE CENTER 1-800-722-1111

FOR ORDER ENTRY: 1-800-526-5142

RECOMMENDED OPERATING TEMPERATURE: 170° MAX

VOLTAGE RATING: NOT APPLICABLE

WIRE CROSS SECTIONAL AREA RANGE: 42.4-60.6mm² [83,700-119,500] CIR MILS SOLID OR STRANDED

THIS DRAWING IS A CONTROLLED DOCUMENT FOR AMP INCORPORATED. IT IS SUBJECT TO CHANGE AND THE CONTROLLING ENGINEERING ORGANIZATION SHOULD BE CONTACTED FOR THE LATEST REVISION.

DIMENSIONS:	TOLERANCES UNLESS OTHERWISE SPECIFIED:
mm	0 PLC ±-
	1 PLC ±-
	2 PLC ±0.51 [.020]
	3 PLC ±-
	4 PLC ±-
	ANGLES ±-
MATERIAL: COPPER PER ASTM B-75 ANNEALED	FINISH: TIN PLATE 0.00381 [.000150] MIN THK PER MIL-T-10727

DWN: DK SCHRUM 22MAR95	AMP AMP Incorporated Harrisburg, PA 17105-3608
CHK: AJ KAUFMAN 23MAR95	
APVD: JL MECKLEY 23MAR95	
PRODUCT SPEC: -	NAME: TERMINAL, AMPOWER, WIRE SIZE: 1/0 AWG
APPLICATION SPEC: -	SIZE: A3 CAGE CODE: 00779 DRAWING NO: C-54628
WEIGHT: -	SCALE: 2:1 SHEET: 1 OF 1 REV: F
CUSTOMER DRAWING	

单击下面可查看定价，库存，交付和生命周期等信息

[>>TE Connectivity\(泰科\)](#)