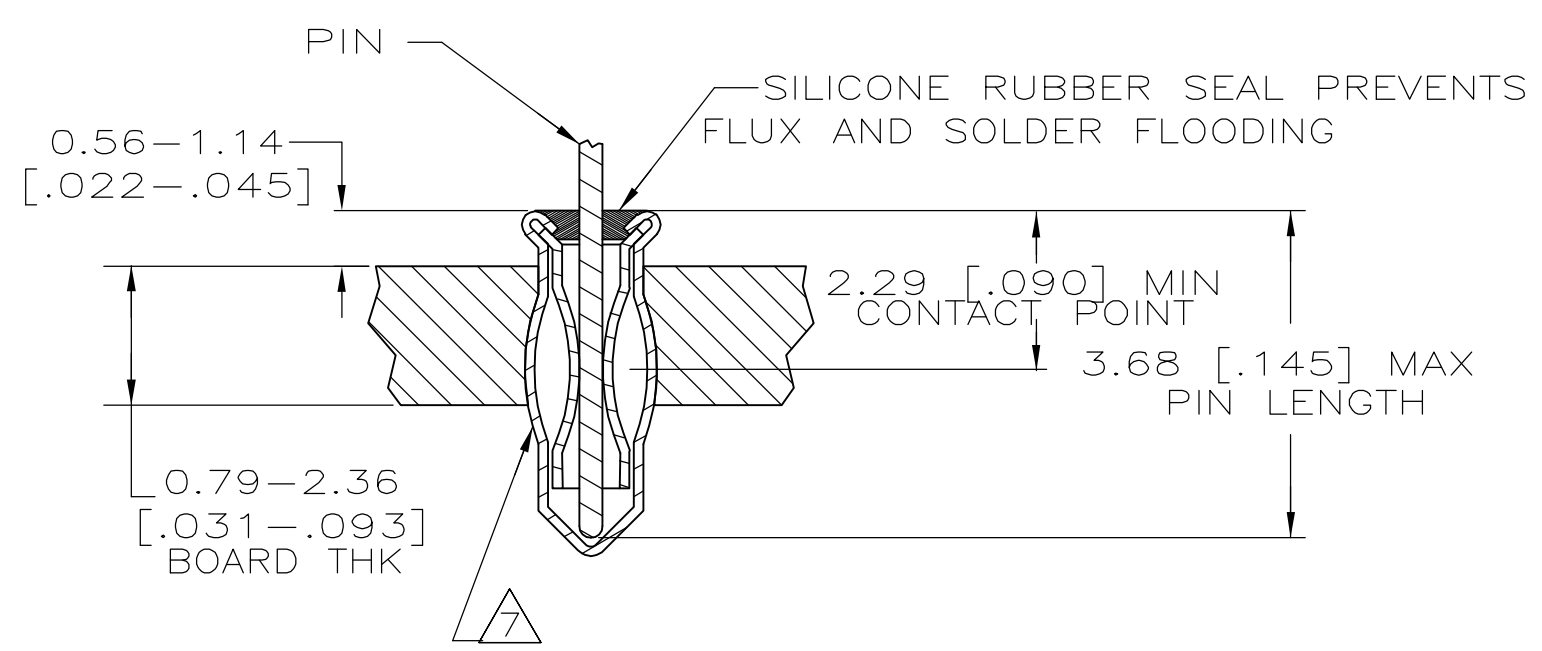
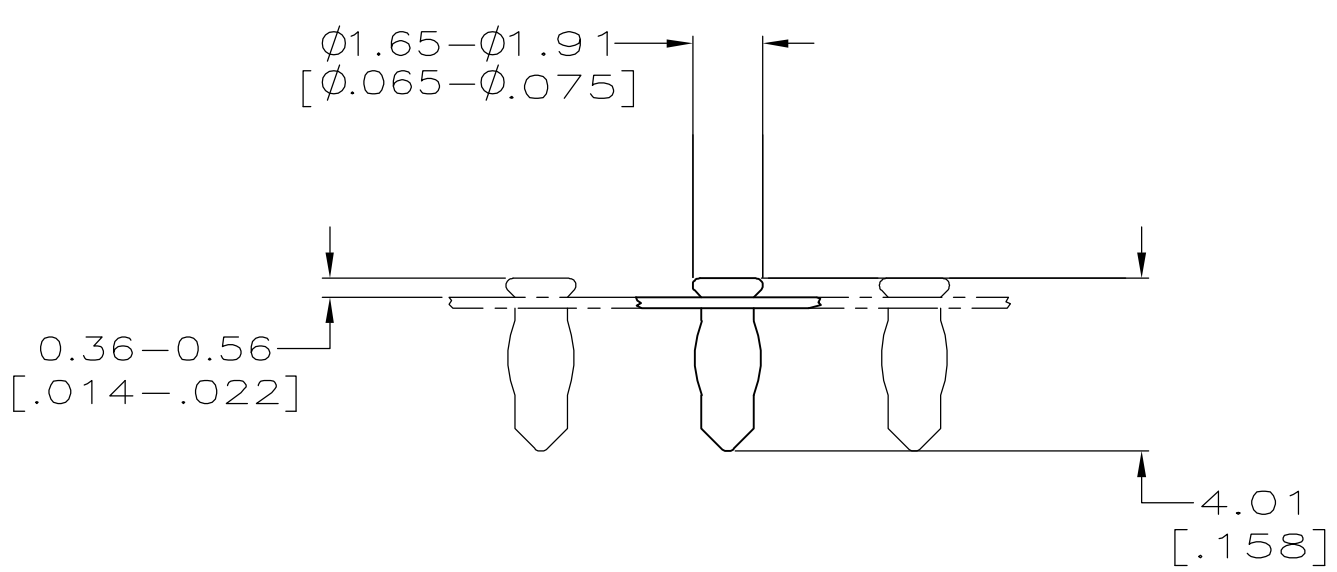
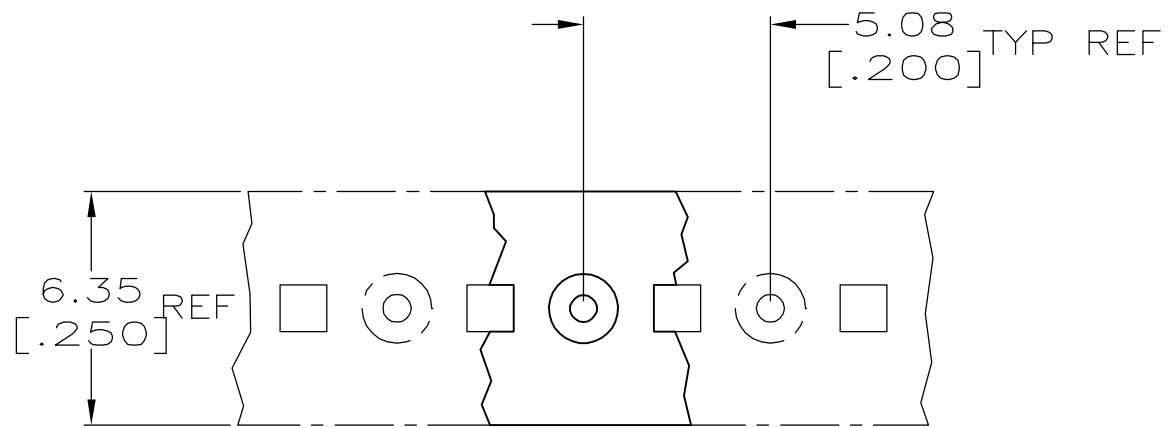


LOC	DIST	P	F	ZONE	LTR	REVISIONS	DATE	APPD
AG	53				f1	REV PER ECO-06-018763	07FEB07	JGH



- 1 MATERIAL:
 EYELET - COPPER (QQ-C-576)
 SPRING - BERYLLIUM COPPER (QQ-C-533)
 SEALANT - SILICONE RUBBER
- 2 TIN PLATE (MIL-T-10727)0.00381 [.000150] MIN THK.
- 3 TIN PLATE(MIL-T-10727)0.00254 [.000100] MIN THK.
- 4 GOLD PL(MIL-G-45204)0.00076 [.000030] MIN THK ON CONTACT AREA.
- 5 PACKAGED 50,000 PER REEL
- 6 TO INSURE 1/2 OZ MIN RETENTION DO NOT EXCEED 0.10 [.004] DIFFERENCE IN PIN DIA WHEN CHANGING TO A SMALLER DIA PIN
- 7 PRODUCT IS OVALIZED FOR RETENTION IN THE P.C. BOARD. THE RECOMMENDED HOLE DIAMETER IS Ø1.32 [Ø.052] MINIMUM, +0.08 [.003] MAX. PRIOR TO SOLDERING.
- 8 PACKAGED 10,000 PER REEL

OBSOLETE	2.29-3.68 [.090-.145]	Ø0.36-Ø0.56 [Ø.014-Ø.022]	GOLD 4	TIN 2	8	1-645953-5
	2.29-3.68 [.090-.145]	Ø0.51-Ø0.66 [Ø.020-Ø.026]	GOLD 4	TIN 2	8	1-645953-2
OBSOLETE	2.29-3.68 [.090-.145]	Ø0.51-Ø0.66 [Ø.020-Ø.026]	TIN 3	TIN 2	8	1-645953-1
OBSOLETE	2.29-3.68 [.090-.145]	Ø0.36-Ø0.56 [Ø.014-Ø.022]	GOLD 4	TIN 2	5	645953-5
OBSOLETE	2.29-3.68 [.090-.145]	Ø0.51-Ø0.66 [Ø.020-Ø.026]	GOLD 4	TIN 2	5	645953-2
OBSOLETE	2.29-3.68 [.090-.145]	Ø0.51-Ø0.66 [Ø.020-Ø.026]	TIN 3	TIN 2	5	645953-1

	LENGTH	DIA	SPRING	EYELET	PART NO
DO NOT SCALE PRINT. UNLESS SPECIFIED DIMENSIONS IN mm [INCHES] TOLERANCES ON :	DR 12-20-82 M.BOWERS				
2 PLC DEC ± -	CHK 6-10-85 P.MUTZABAUGH				
3 PLC DEC ± 0.20[.008]	APPD 6-10-85 G.D.MILLER				
ANGLES ± -	APPD 6-10-85 ER.RALSTON				
MATERIAL	PRODUCT SPEC				
FINISH	APPLICATION SPEC				
SEE TABLE	114-26004				
WEIGHT					

AMP AMP Incorporated
 Harrisburg, PA 17105-3608

NAME
 MINIATURE SPRING SOCKET ASSY
 SERIES 2 SHORT
 WITH SEALANT

SIZE C CAGE CODE 00779 DRAWING NO C-645953
 SCALE NTS SHEET 1 OF 1

THIS DRAWING IS A CONTROLLED DOCUMENT FOR AMP INCORPORATED. IT IS SUBJECT TO CHANGE AND THE CONTROLLING ENGINEERING ORGANIZATION SHOULD BE CONTACTED FOR THE LATEST REVISION.

单击下面可查看定价，库存，交付和生命周期等信息

[>>TE Connectivity\(泰科\)](#)