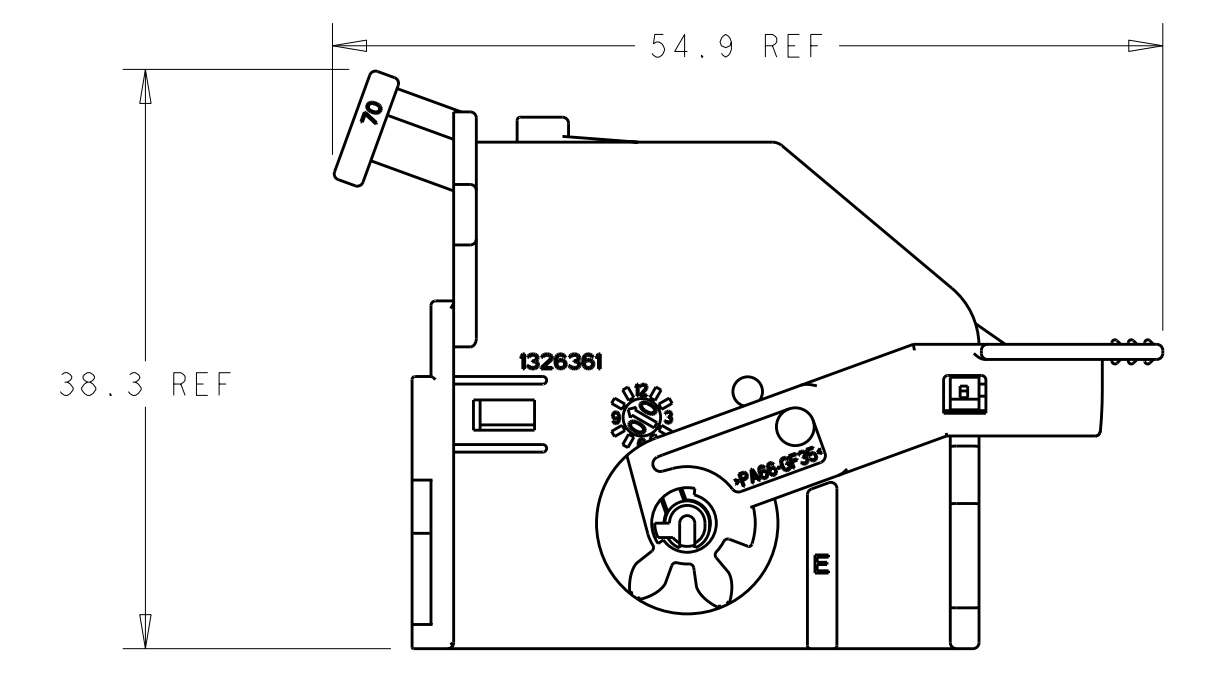


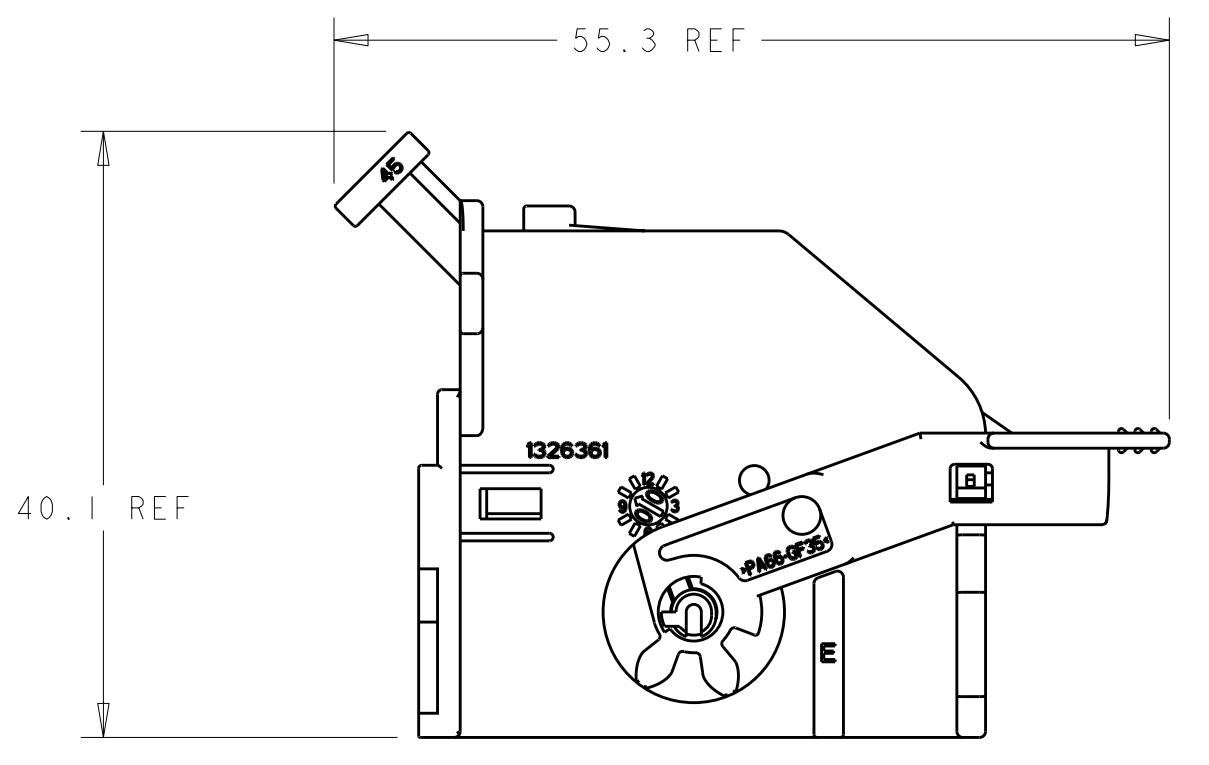
1. MATERIAL: SHIELD - 35% GLASS REINFORCED NYLON. SEE TABLE BELOW FOR COLOR. LEVER - 35% GLASS REINFORCED NYLON. COLOR GRAY.
2. REFERENCE: RECEPTACLE CARRIER, 1326042-1, USED WITH THIS ASSEMBLY.
3. REFERENCE: INTERFACE DETAIL PER DRAWING NO. AAUTO1000-2962-0247
4. REFER TO INSTRUCTION SHEET 408-8662 FOR PRODUCT ASSEMBLY AND DISASSEMBLY PROCEDURES.
5. REFER TO USCAR-2 REV 3 APRIL 2001 FOR PRODUCT SPECIFICATIONS.

LOC	DIST	REV	DATE	BY	CHKD	APPD
FX	00					

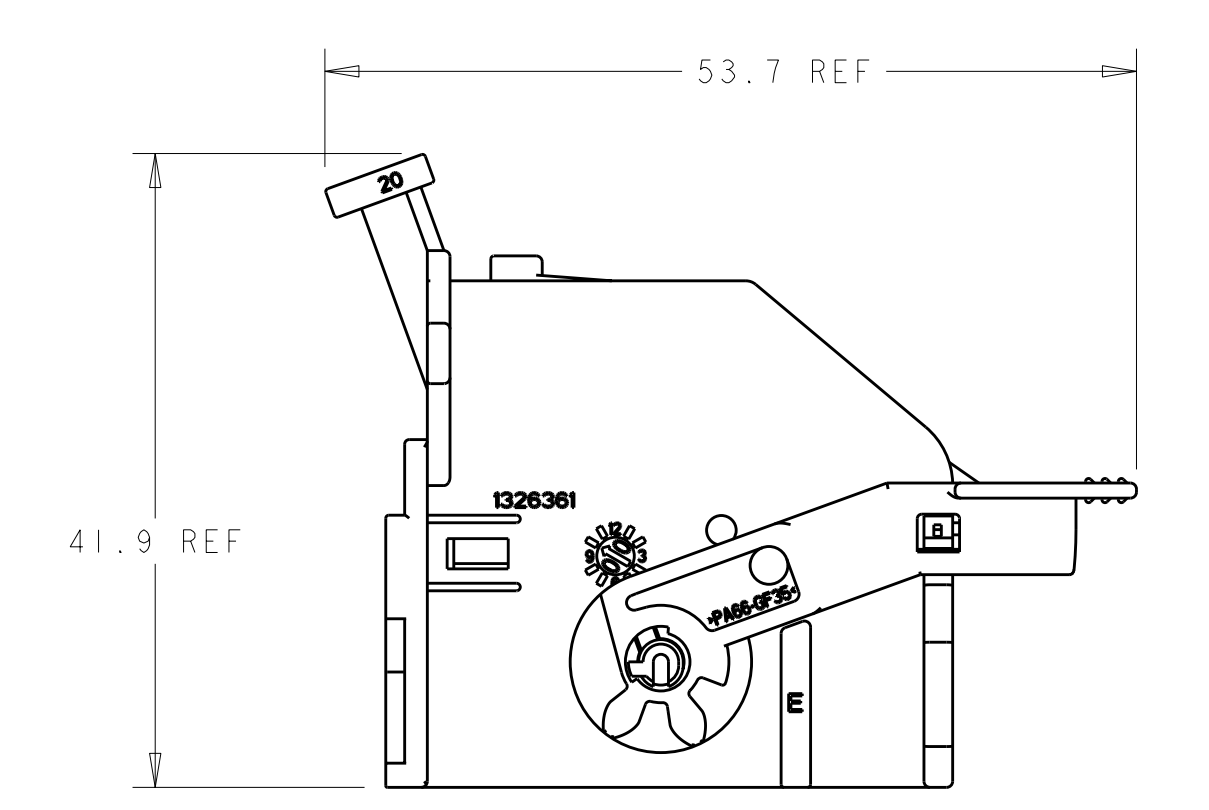
REV	DESCRIPTION	DATE	BY	CHKD	APPD
A	REVISED PER EC 0K80-0281-02	01MAY2003	SPT	AME	
B	REVISED PER EC 0K80-0086-04	30MAR2004	RGV	AME	
C	REVISED PER EC 0K80-0196-04	14JUN2004	DLD	AME	
C1	REV PER ECR-10-011823	28MAY2010	VSS	CS	



70° WIRE EXIT
SCALE 2:1



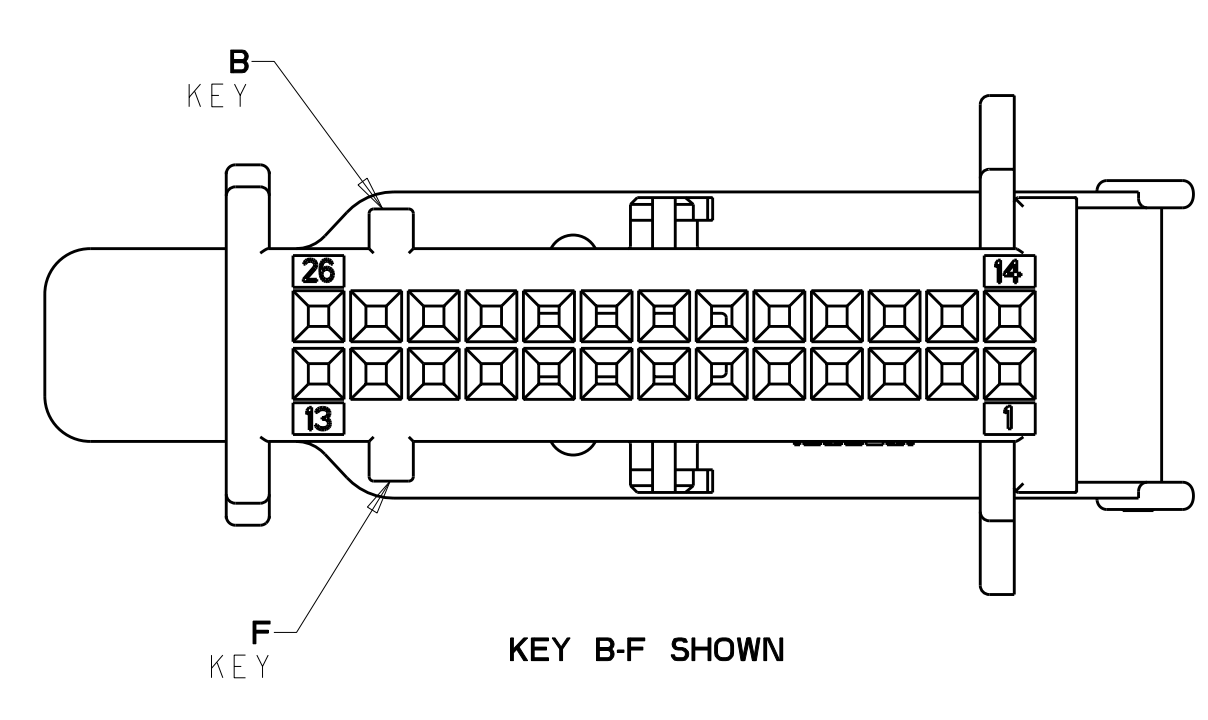
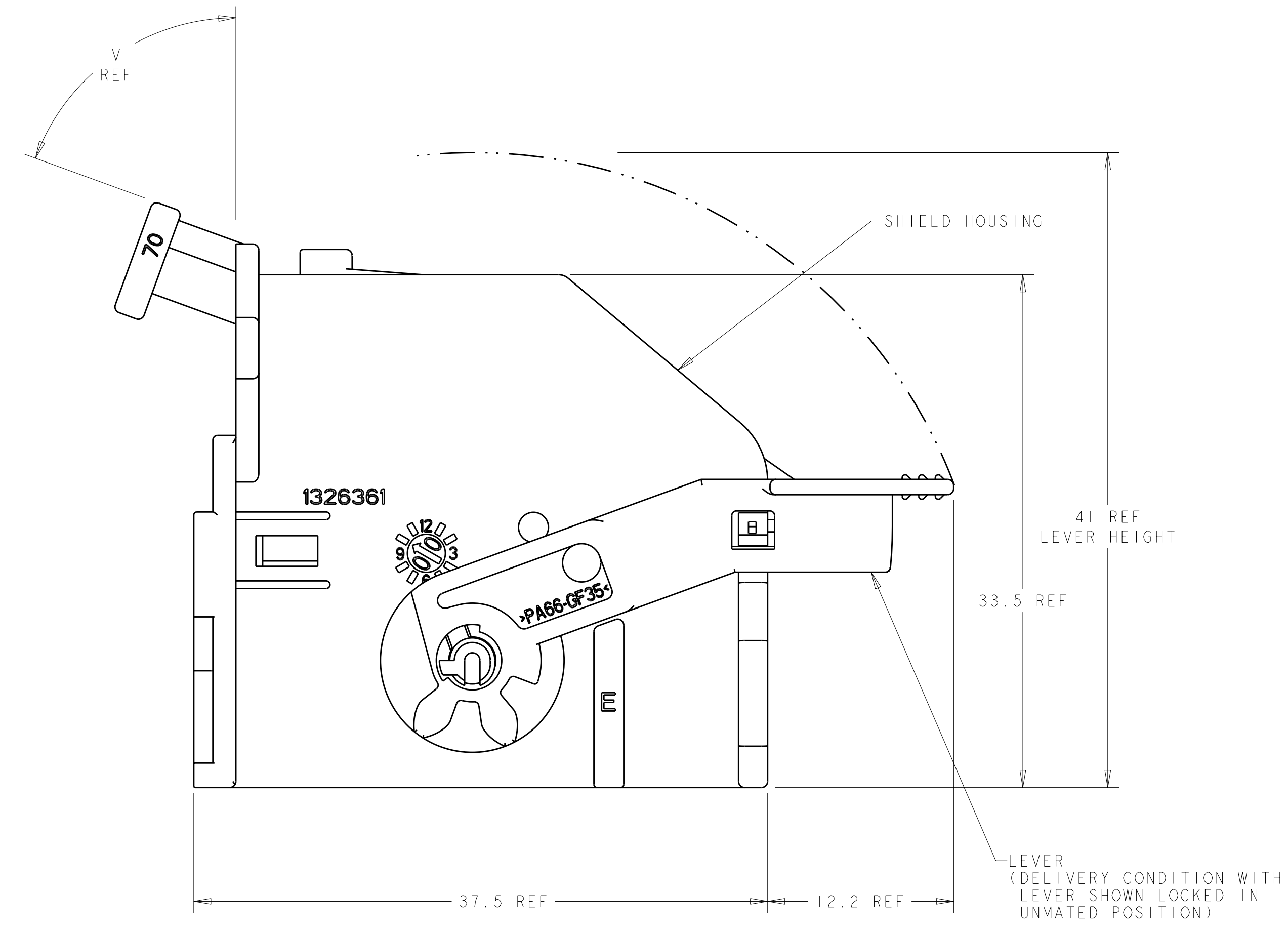
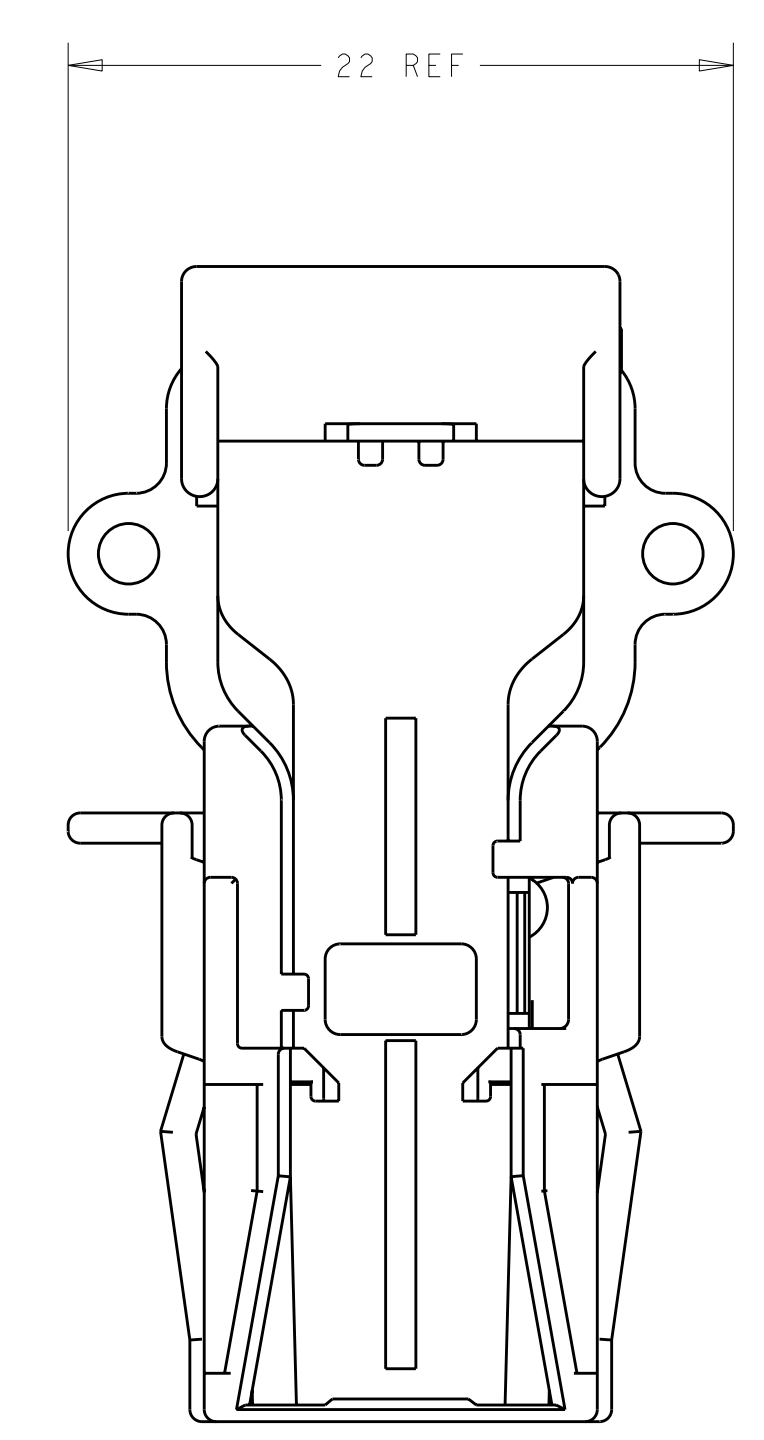
45° WIRE EXIT
SCALE 2:1



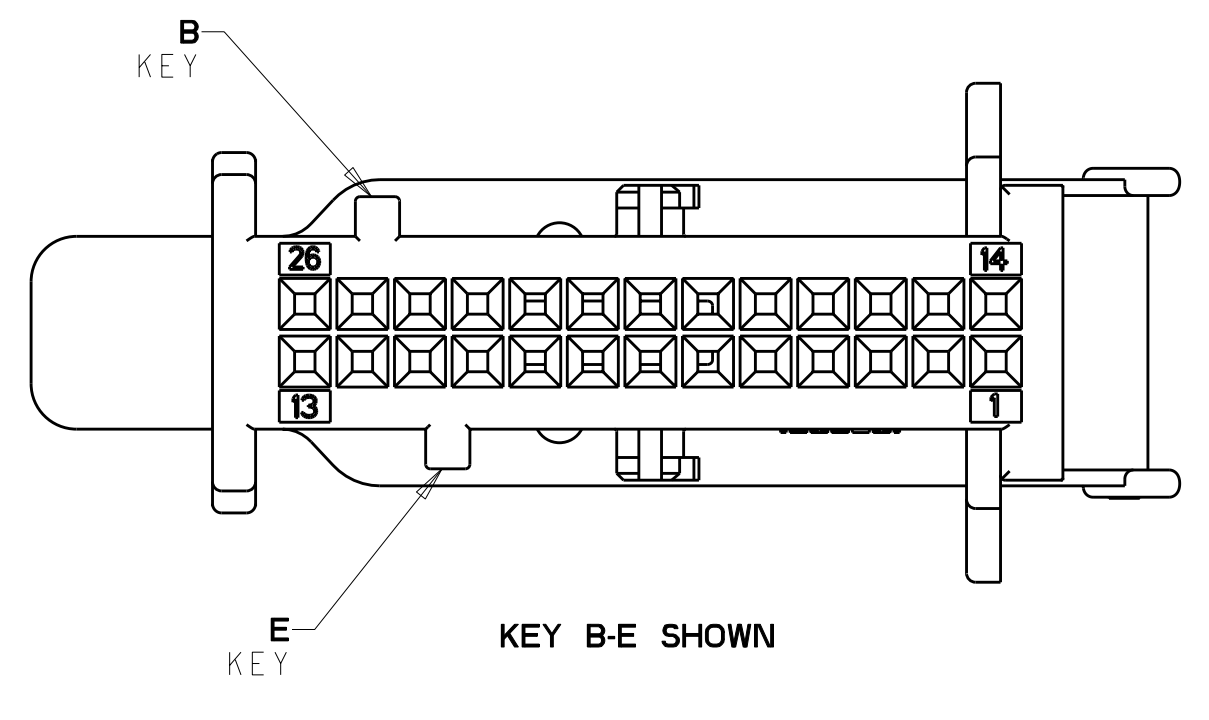
20° WIRE EXIT
SCALE 2:1

WIRE EXIT OPTIONS FOR REFERENCE ONLY

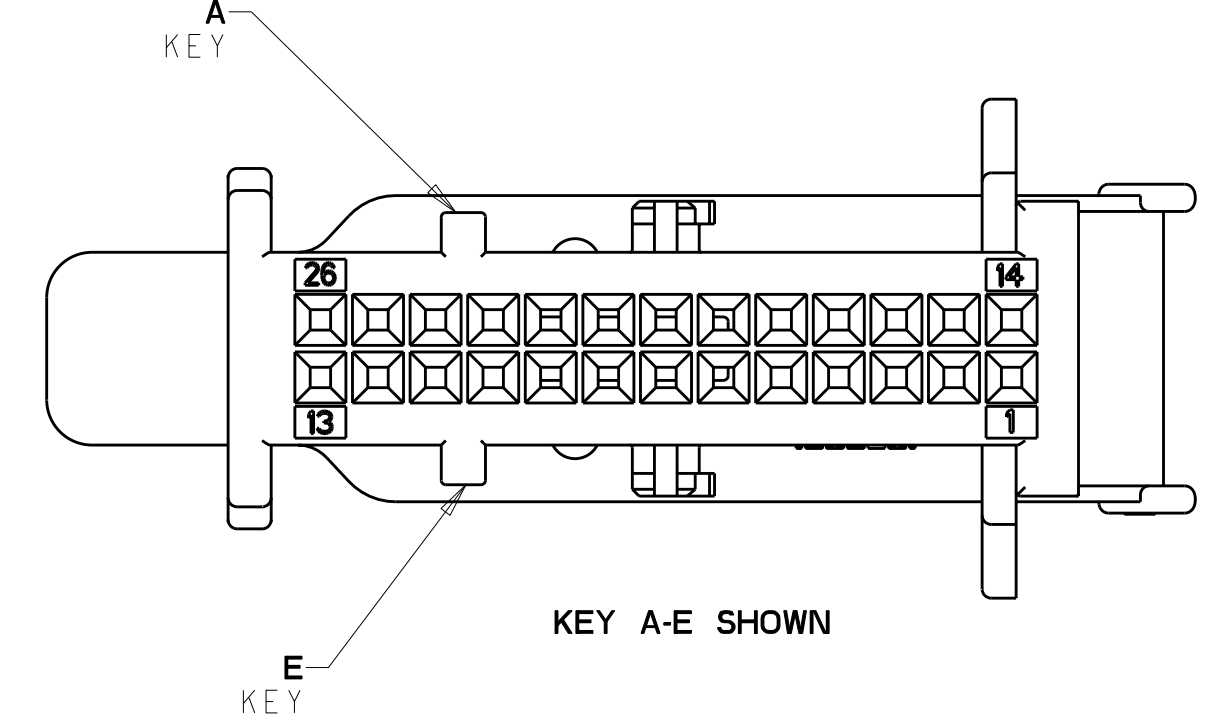
DIM V	COLOR	KEYING OPT.	PART NUMBER
20°	BLUE	B-F	1326362-9
20°	GRAY	B-E	1326362-8
20°	BLACK	A-E	1326362-7
45°	BLUE	B-F	1326362-6
45°	GRAY	B-E	1326362-5
45°	BLACK	A-E	1326362-4
70°	BLUE	B-F	1326362-3
70°	GRAY	B-E	1326362-2
70°	BLACK	A-E	1326362-1



KEY B-F SHOWN



KEY B-E SHOWN



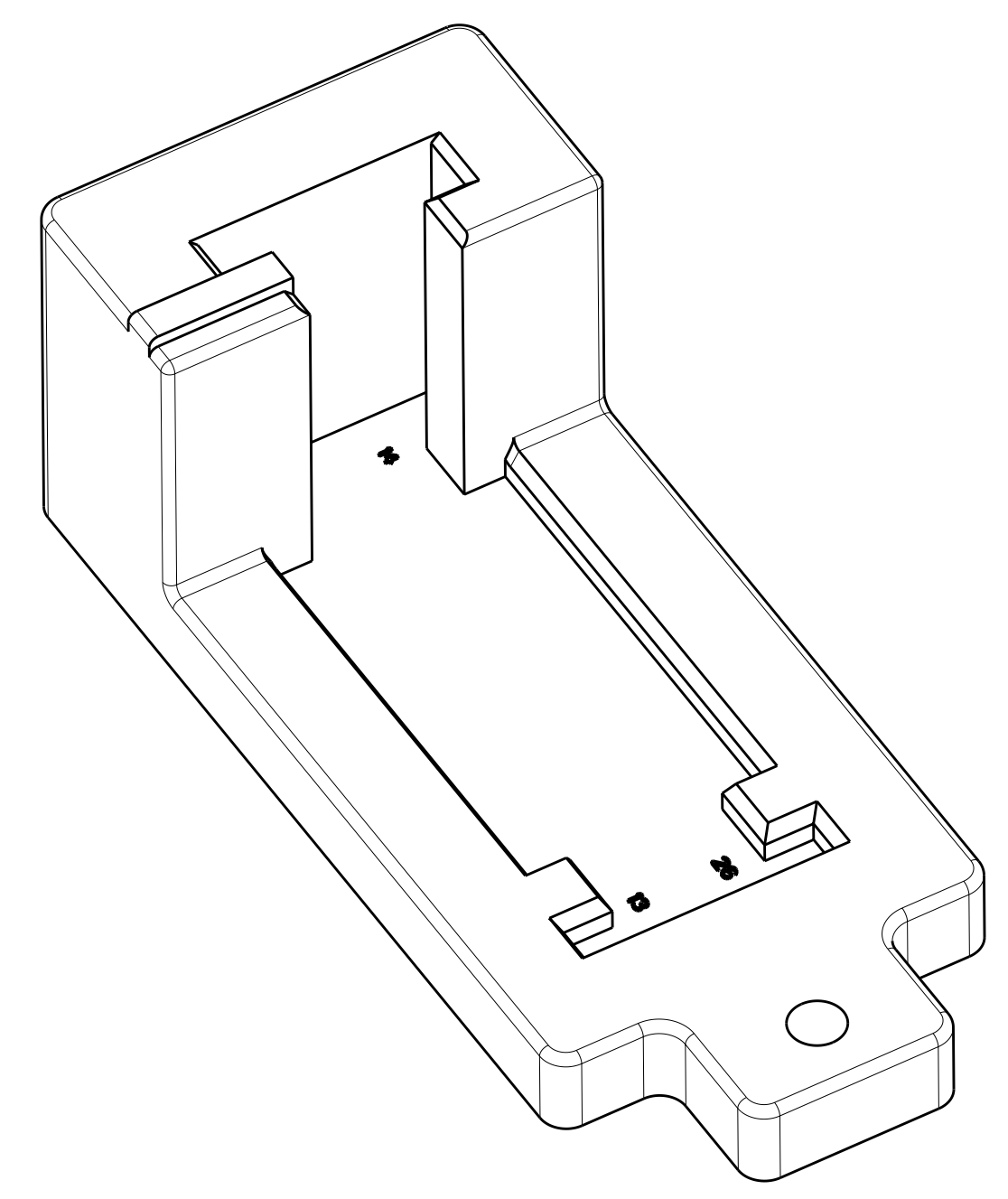
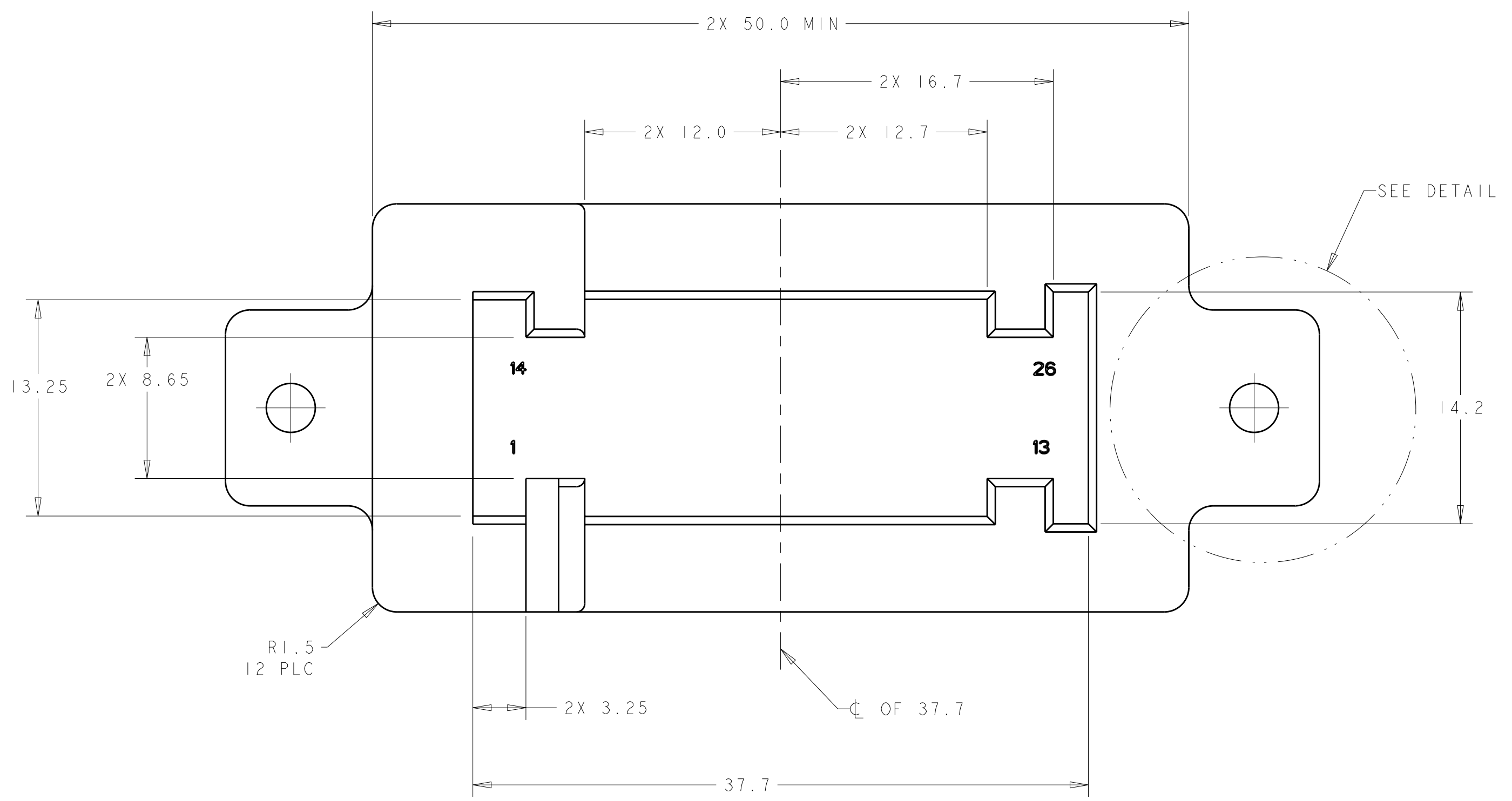
KEY A-E SHOWN

KEYING OPTIONS FOR REFERENCE ONLY

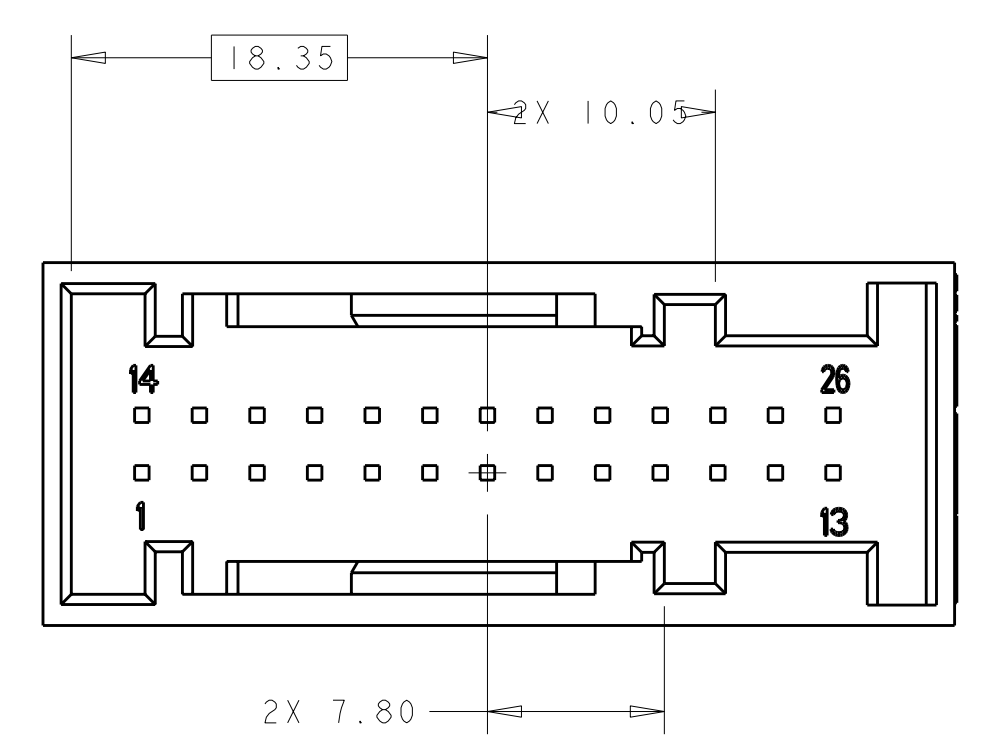
DIMENSIONS: mm 		TOLERANCES UNLESS OTHERWISE SPECIFIED: 9 PLC ± 1 PLC ±0.1 5 PLC ±0.05 4 PLC ± ANGLES ± FINISH ±1*		DWN W. HOELSCHER 22FEB02 CHK S. TOBEY 22FEB02 APVD DS TOBEY 22FEB02 NAME PRODUCT SPEC APPLICATION SPEC WEIGHT CUSTOMER DRAWING		Tyco Electronics Harrisburg, PA 17105-3608 SHIELD ASSEMBLY - 0.64mm 26 POSITION, LEVER ASSISTED CONNECTOR SIZE CAGE CODE DRAWING NO. RESTRICTED TO A1 00779 C=1326362 SHEET 1 OF 2 REV C1	
-----------------------	--	---------------------------------------------------------------------------------------------------------------------	--	-----------------------------------------------------------------------------------------------------------------------------------------------------	--	-------------------------------------------------------------------------------------------------------------------------------------------------------------------------------------------------------------	--

LOC	DIST	REV	DATE	BY	APPD
FX	00				

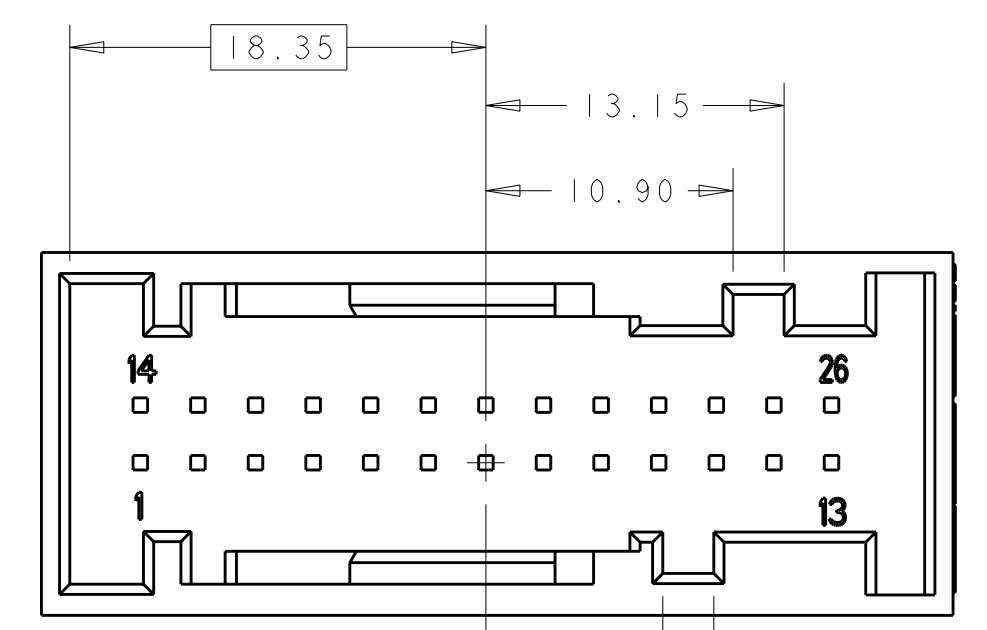
REVISIONS			
NO	DESCRIPTION	DATE	BY
1	SEE SHEET 1		



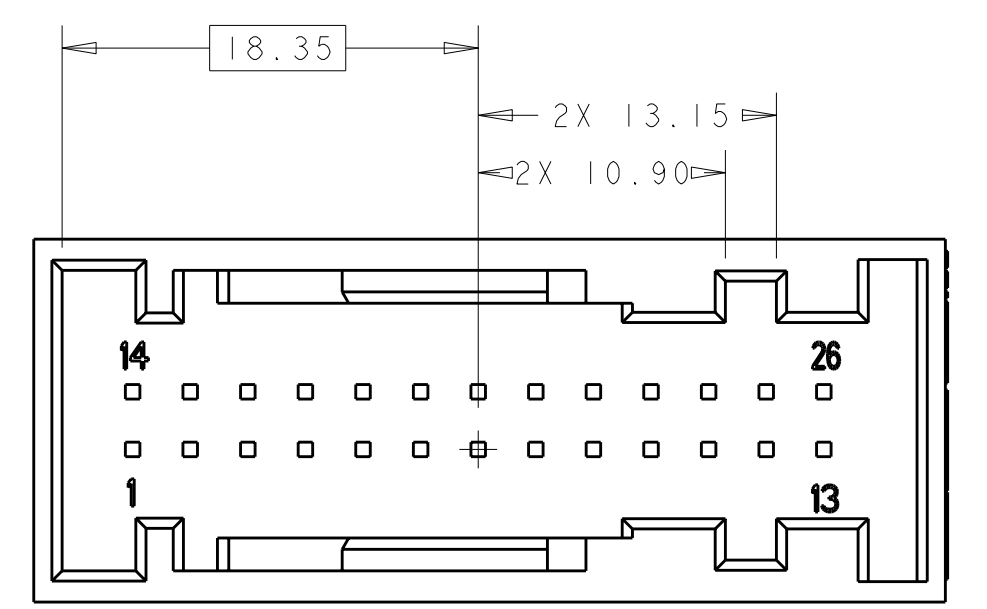
SCALE 3:1



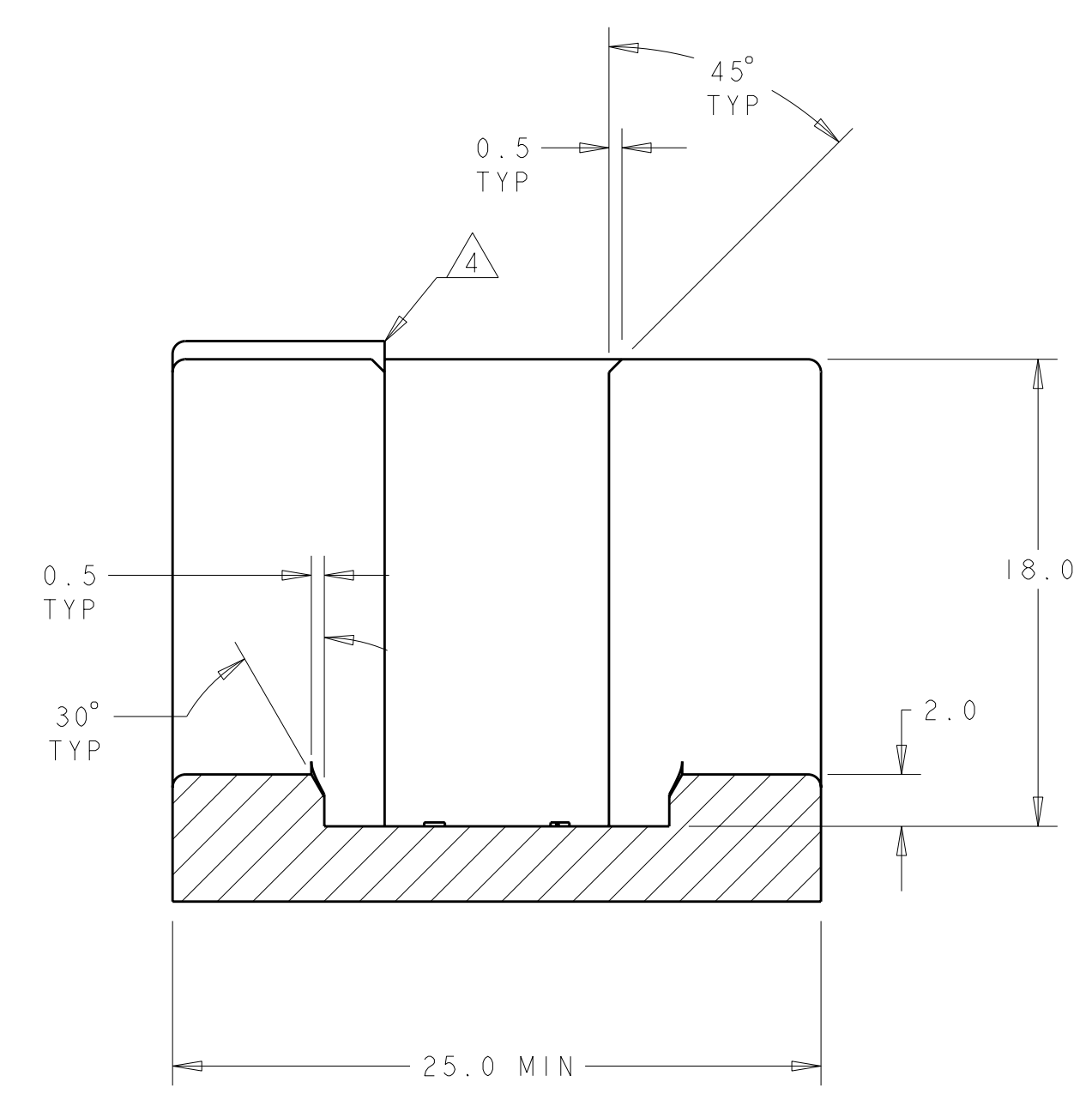
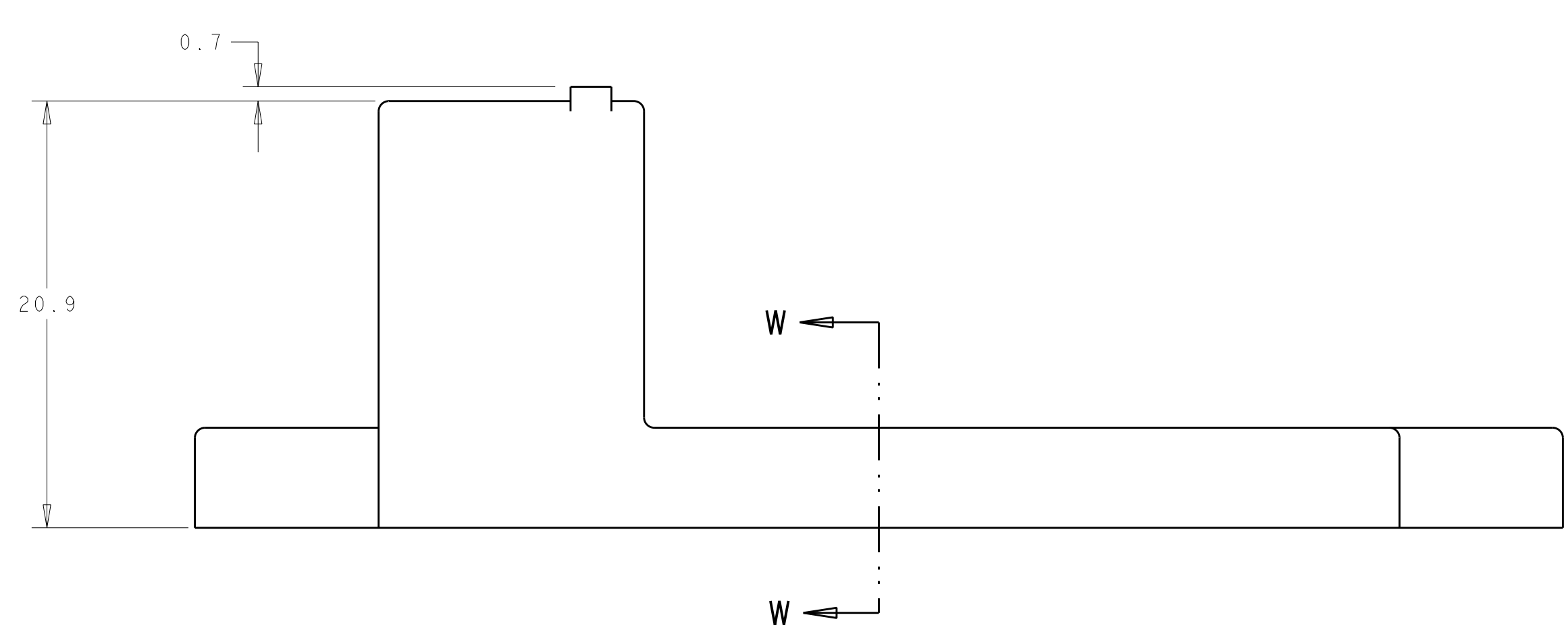
KEY OPTION A-E



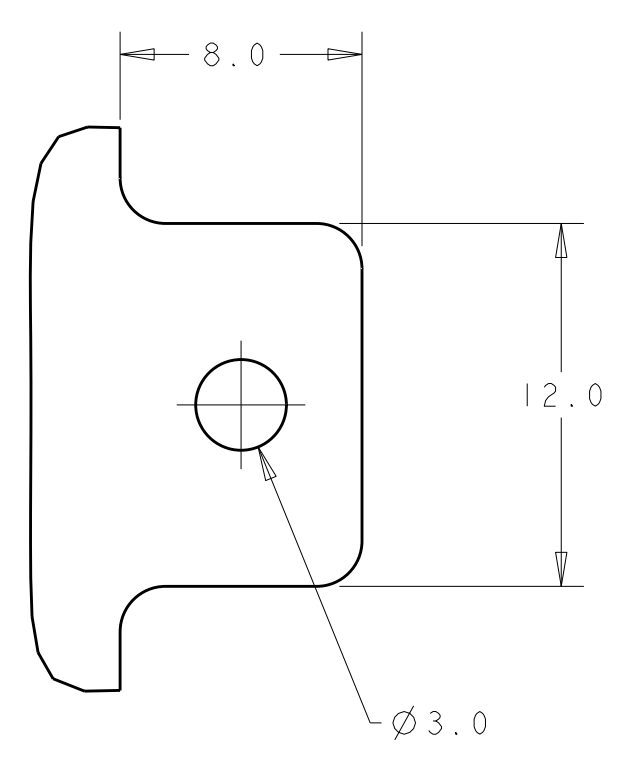
KEY OPTION B-E



KEY OPTION B-F



SECTION W-W



DETAIL X SCALE 4:1

26 POSITION CONNECTOR FIXTURE

(SHOWN WITH CLEARANCE FOR ALL KEY OPTIONS)

- CONNECTOR FIXTURE SHOULD BE USED TO VERIFY THE RECEPTACLE CARRIER IS PROPERLY SEATED AND LOCKED INTO THE SHIELD ASSEMBLY. THE CONNECTOR WILL NOT FULLY MATE TO THE FIXTURE IF THE RECEPTACLE CARRIER IS OUT OF POSITION.
- RECOMMEND USING A SENSING DEVICE FOR VERIFYING FULLY MATED CONNECTORS. SUCH A DEVICE IS UP TO THE CUSTOMERS DISCUSSION.
- RECOMMENDED MATERIAL: HARDEND STEEL
- NO RADII OR CHAMFER PERMITTED IN SPECIFIED AREA. MUST MAINTAIN 90° EDGE.
- RADII TO BE 0.5 UNLESS OTHERWISE SPECIFIED.
- OPTIONAL CONSTRAINT FEATURE.

DIMENSIONS: mm 0 PLC ± 1 PLC ±0.1 2 PLC ±0.05 3 PLC ± 4 PLC ± ANGLES ±1° FINISH		TOLERANCES UNLESS OTHERWISE SPECIFIED: DIMENSIONS: mm 0 PLC ± 1 PLC ±0.1 2 PLC ±0.05 3 PLC ± 4 PLC ± ANGLES ±1° FINISH		DWN W. HOELSCHER 22FEB02 CHK S. TOBEY 22FEB02 APVD DS TOBEY 22FEB02 NAME PRODUCT SPEC APPLICATION SPEC WEIGHT CUSTOMER DRAWING		Tyco Electronics Harrisburg, PA 17105-3608 SHIELD ASSEMBLY - 0.64mm 26 POSITION, LEVER ASSISTED CONNECTOR SIZE CAGE CODE DRAWING NO A11 00779 C=1326362 SCALE 4:1 SHEET 2 OF 2 REV C1	
------------------------------------------------------------------------------------------------------	--	------------------------------------------------------------------------------------------------------------------------------------------------	--	-----------------------------------------------------------------------------------------------------------------------------------------------------	--	------------------------------------------------------------------------------------------------------------------------------------------------------------------------------------------------------------	--

单击下面可查看定价，库存，交付和生命周期等信息

[>>TE Connectivity\(泰科\)](#)