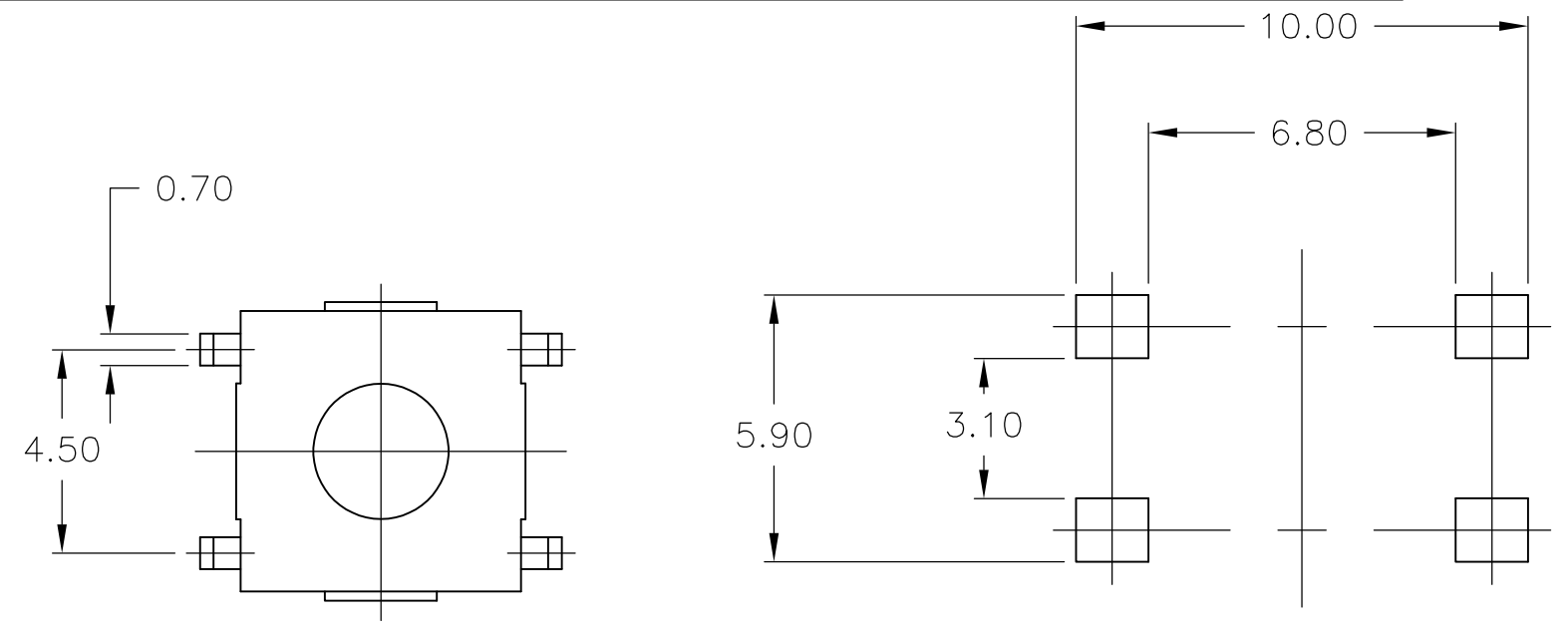
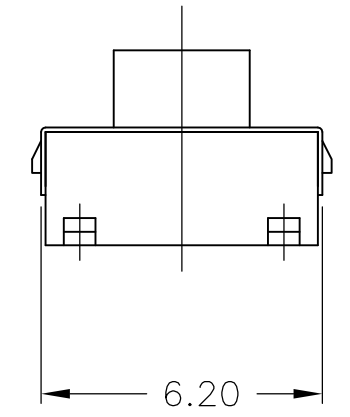
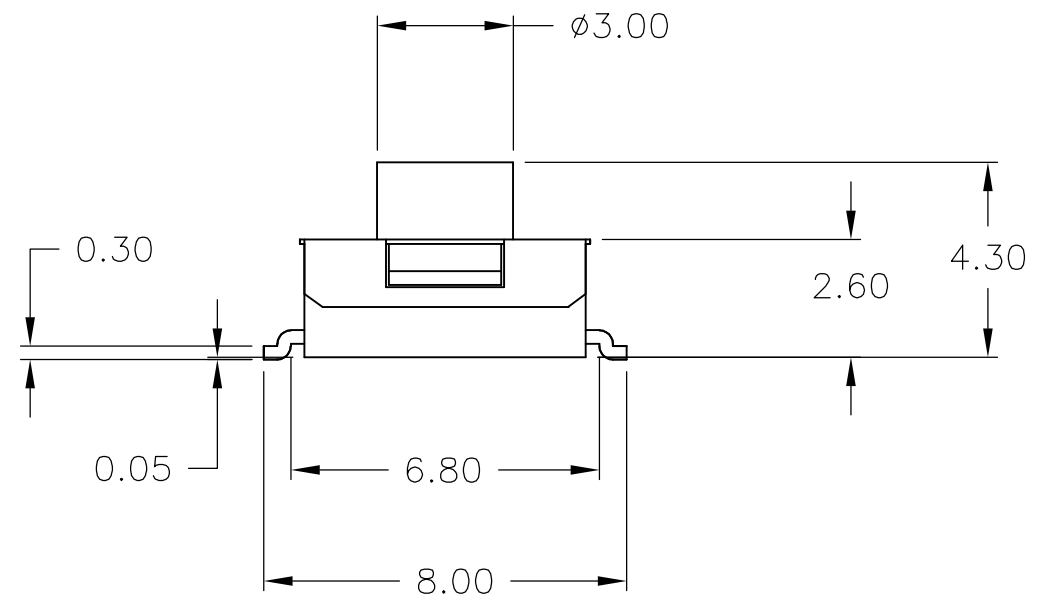


THIS DRAWING IS UNPUBLISHED. RELEASED FOR PUBLICATION
 © COPYRIGHT - By - ALL RIGHTS RESERVED.

LOC	DIST	REVISIONS			
P	LTR	DESCRIPTION	DATE	DWN	APVD
AD	0	E2	REVISED PER ECO-14-014370	23SEP2014	NK RH



P C B LAND DIMENSION



MATERIALS:
 CASE: PPS, 94V-0, BLACK
 COVER: COPPER ALLOY, TIN PLATE
 ACTUATOR: NYLON 6T UL94V-0, COLOR- RED
 MOVING CONTACT: COPPER ALLOY, SILVER FINISH
 FIXED CONTACT/TERMINAL: COPPER ALLOY, SILVER FINISH

ELECTRICAL:
 MAX CONTACT RATING: 50MILLIAMPS@24V DC
 MIN CONTACT RATING: 10MICROAMPS@1V DC
 INITIAL CONTACT RESISTANCE: 100 MILLIOHMS MAX
 INSULATION RESISTANCE: 100 MEGOHMS AT 250 VDC MIN
 DIELECTRIC STRENGTH: 500 VAC 50/60 HZ FOR 1 MINUTE.
 LIFE EXPECTANCY: 100,000 CYCLES MIN.

MECHANICAL:
 ACTUATION FORCE: 260±30g
 ACTUATION TRAVEL 0.25^{+0.2}_{-0.1}
 LIFE EXPECTANCY: 150,000 CYCLES

ENVIRONMENTAL:
 OPERATING TEMPERATURE: -35°C TO +85°C
 STORAGE TEMPERATURE: -35°C TO +85°C
 RESISTANCE TO SOLDER HEAT PER 109-201 COND B.

- NOTES:**
- TAPE AND REEL PACKAGING PER EIA-481, PITCH 12MM, WIDTH 16MM. 1500 PCS. PER REEL.
 - ALL MATERIALS AND FINISHES SHALL COMPLY WITH EU DIRECTIVE 2002/95/EC OF 27JAN2003 (ROHS)

() - INDICATES MOMENTARY POSITION

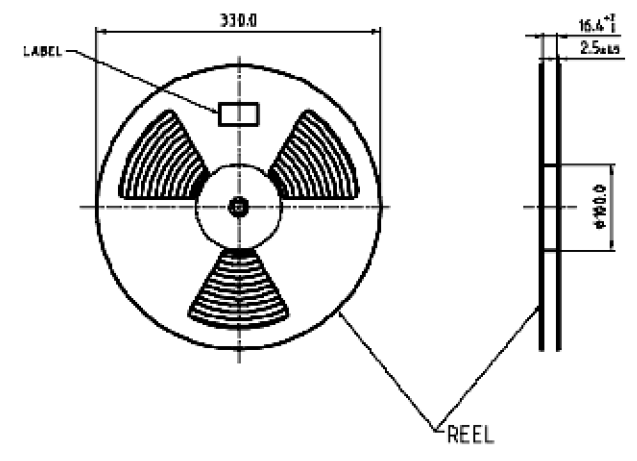
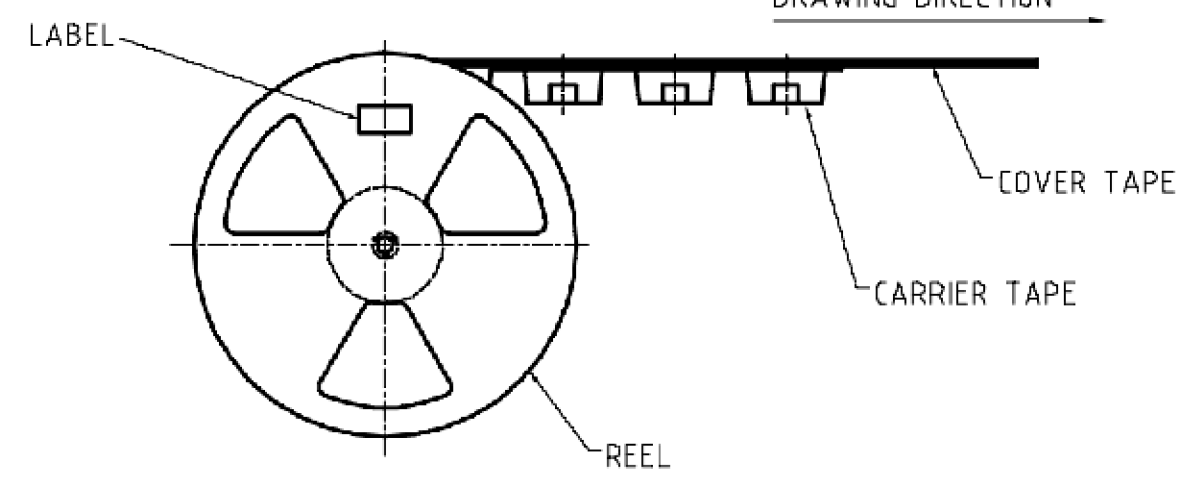
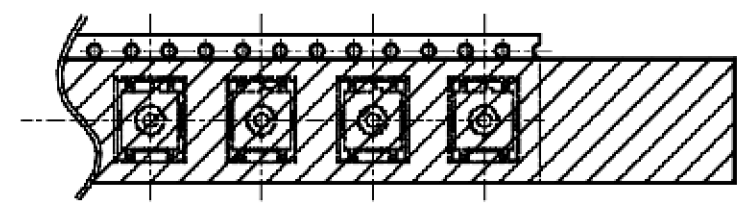
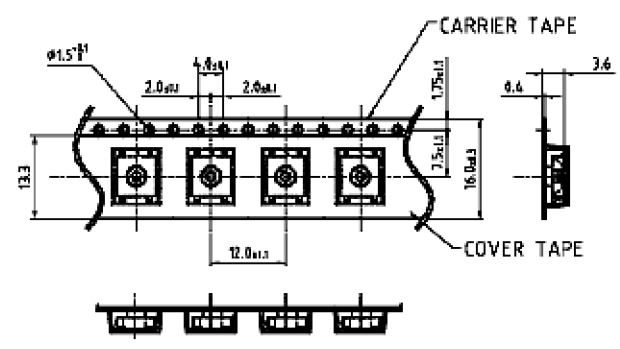
CIRCUIT CHARACTERISTICS	
CONTACT POSITION	CIRCUIT DIAGRAM
OFF	
(ON) 1-3 2-4	

FSM4LPA	1571621-1
FSM4LPATR	4-1437565-3
OLD T&B P/N	PART NUMBER

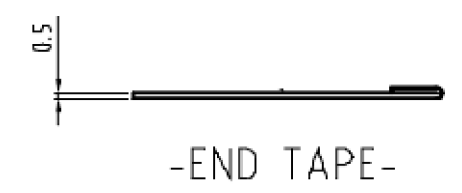
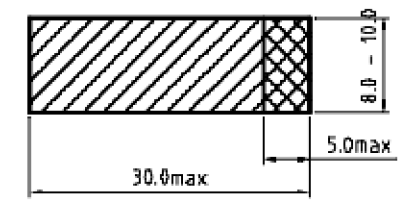
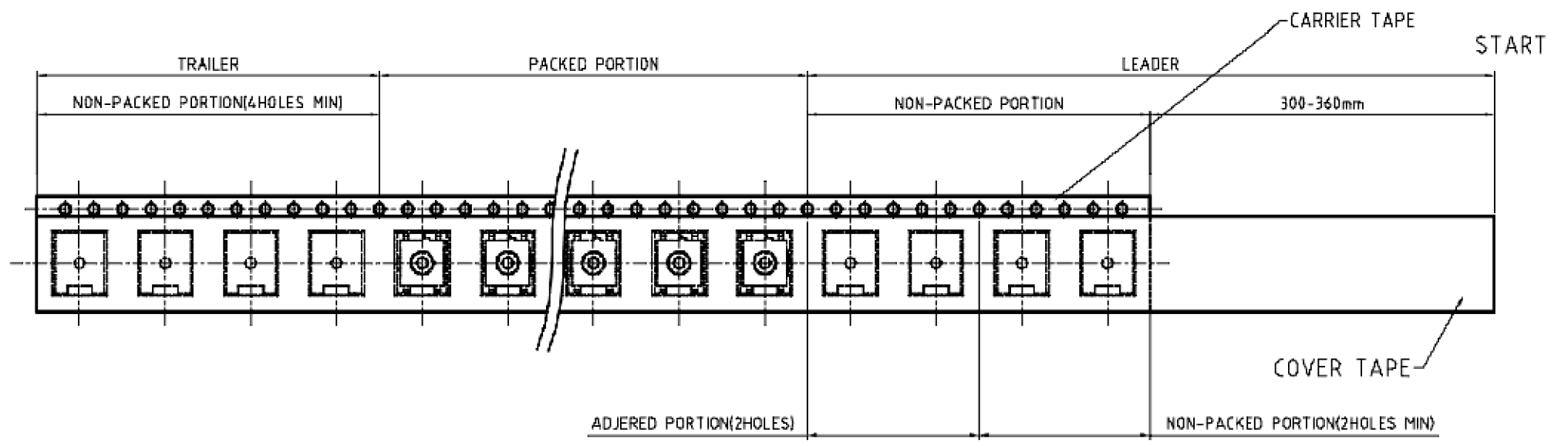
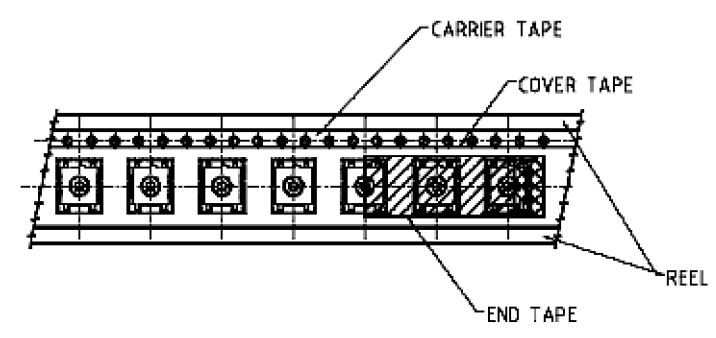
THIS DRAWING IS A CONTROLLED DOCUMENT.		DWN M.BINNER 17SEP02	TE Connectivity NAME TACTILE SWITCH 6X6mm LOW PROFILE, SURFACE MOUNT		
DIMENSIONS: mm		CHK M.SARVER 18SEP02			
TOLERANCES UNLESS OTHERWISE SPECIFIED:		APVD M.SARVER 18SEP02	PRODUCT SPEC		
0 PLC ± - 1 PLC ± - 2 PLC ± 0.30 3 PLC ± - 4 PLC ± - ANGLES ± -		APPLICATION SPEC			RESTRICTED TO
MATERIAL		WEIGHT	SIZE A3	CAGE CODE 00779	DRAWING NO C-4-1437565-3
FINISH		CUSTOMER DRAWING		SCALE 6:1	SHEET 1 OF 2
				REV E2	


THIS DRAWING IS UNPUBLISHED. RELEASED FOR PUBLICATION
 © COPYRIGHT - By - ALL RIGHTS RESERVED.

LOC	DIST	REVISIONS					
AD	0	P	LTR	DESCRIPTION	DATE	DWN	APVD
		-		SEE SHEET 1	-	-	-



-THE DIMENSION OF CARRIER TAPE, COVER TAPE AND REEL-



THIS DRAWING IS A CONTROLLED DOCUMENT.		DWN	M.BINNER	17SEP02	 TE Connectivity	NAME		TACTILE SWITCH 6X6mm					
DIMENSIONS: mm		CHK	M.SARVER	18SEP02		APPLICATION SPEC		LOW PROFILE, SURFACE MOUNT					
TOLERANCES UNLESS OTHERWISE SPECIFIED:		APVD	M.SARVER	18SEP02		PRODUCT SPEC		RESTRICTED TO					
0 PLC ± - 1 PLC ± - 2 PLC ± 0.30 3 PLC ± - 4 PLC ± - ANGLES ± -		MATERIAL		FINISH		WEIGHT		-					
-		-		-		CUSTOMER DRAWING		SCALE	6:1	SHEET	2 OF 2	REV	E2
						SIZE		A3	CAGE CODE	00779	DRAWING NO		C-4-1437565-3

单击下面可查看定价，库存，交付和生命周期等信息

[>>TE Connectivity\(泰科\)](#)