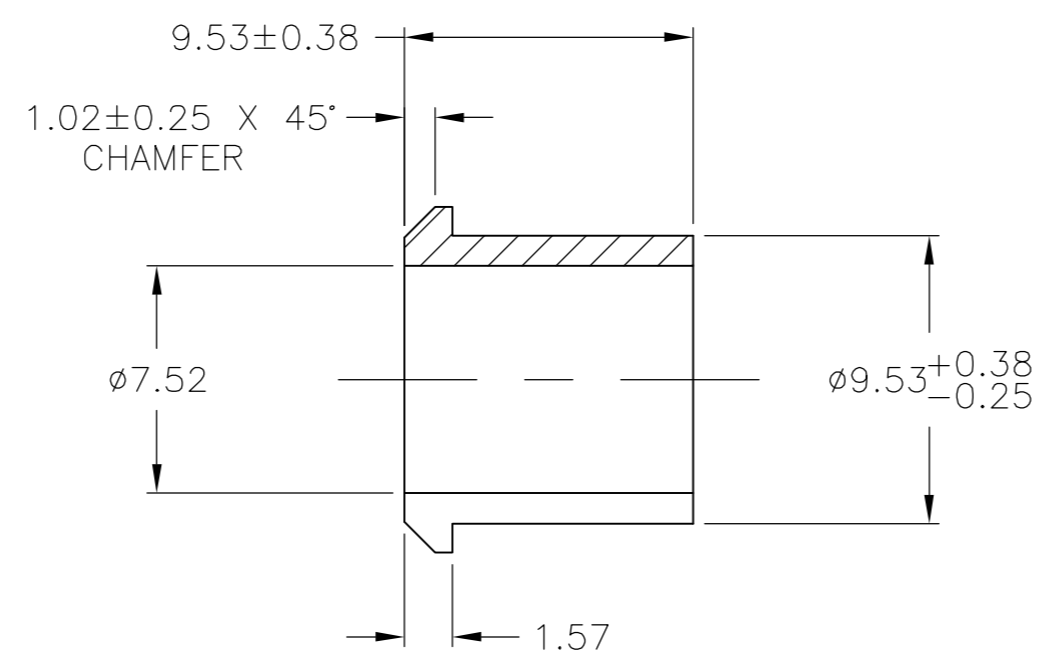
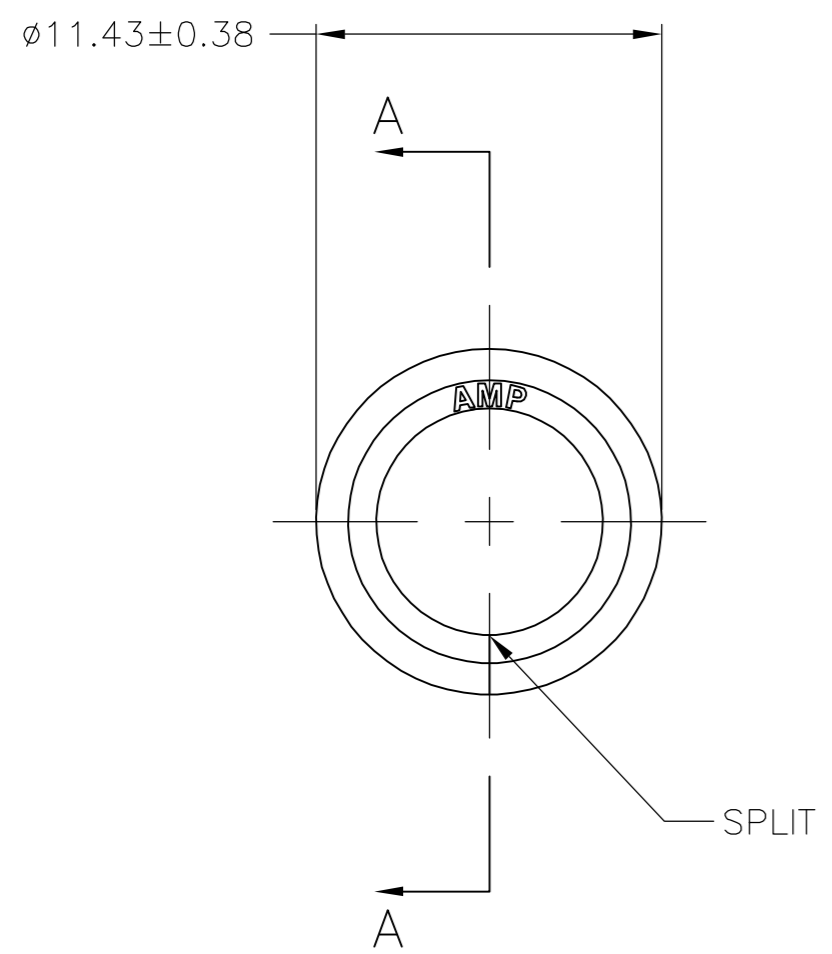


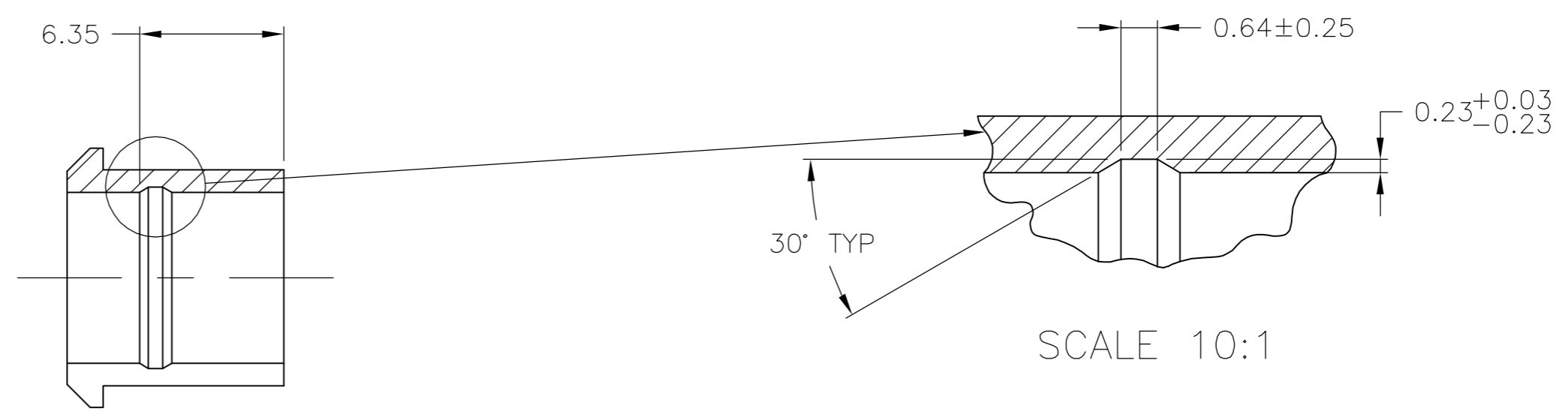
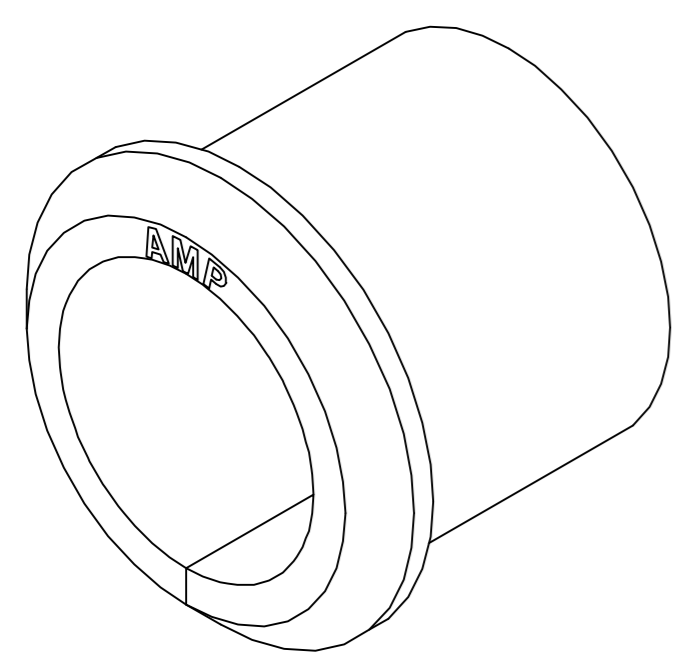
THIS DRAWING IS UNPUBLISHED. RELEASED FOR PUBLICATION  
 © COPYRIGHT BY TYCO ELECTRONICS CORPORATION. ALL RIGHTS RESERVED.

LOC		DIST		REVISIONS			
P	LTR	DESCRIPTION	DATE	DWN	APVD		
	F	ECO-06-012706	07JUN06	BSV	JR		



SECTION A-A

- USE WITH STRAIN RELIEF 350373.
- MOLDING COMPOUND PVC,FLEXIBLE, 55/75 DUROMETER (B SCALE),BLACK.
- MOLDING COMPOUND PVC,FLEXIBLE,BLACK.



SECTION A-A  
OPTIONAL CONSTRUCTION

3-DIMENSIONAL MODEL  
NTS

SUPERCEDED BY 2-350375-0	$\triangle 3$	2-350375-0
	$\triangle 2$	1-350375-0
	MATERIAL	PART NUMBER

MM	IN	MM	IN	MM	IN
0.25	.010	1.57	.062	11.43	.450
0.23	.009	1.02	.040	9.53	.375
0.13	.005	0.64	.025	7.52	.296
0.03	.001	0.38	.015	6.35	.250

CONVERSION TABLE

METRIC

THIS DRAWING IS A CONTROLLED DOCUMENT.		DWN K. WHITAKER 23MAR06	tyco Electronics Tyco Electronics Corporation Harrisburg, Pa 17105-3608	
DIMENSIONS: mm		CHK C. JONES 23MAR06	NAME GROMMET,SPLIT,M.R.	
TOLERANCES UNLESS OTHERWISE SPECIFIED: 0 PLC ± - 1 PLC ± - 2 PLC ± - 3 PLC ± 0.13 4 PLC ± - ± 1'0"		APVD C. JONES 23MAR06	PRODUCT SPEC -	
MATERIAL SEE TABLE		FINISH -	APPLICATION SPEC -	RESTRICTED TO -
CUSTOMER DRAWING		WEIGHT -	SIZE A2	CAGE CODE 00779
		SCALE 4:1	DRAWING NO C=350375	REV F

单击下面可查看定价，库存，交付和生命周期等信息

[>>TE Connectivity\(泰科\)](#)