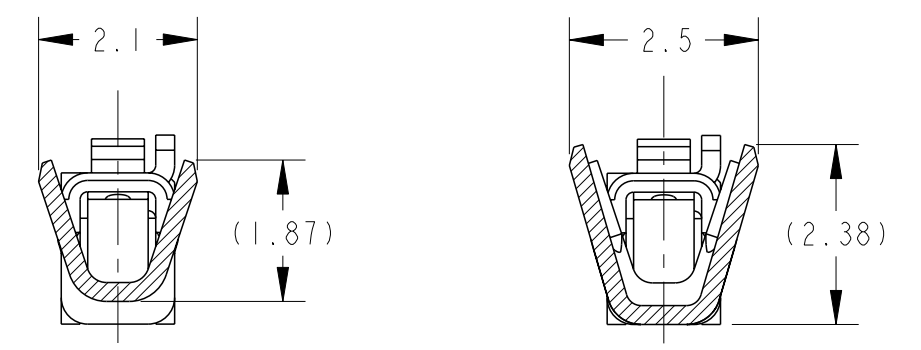
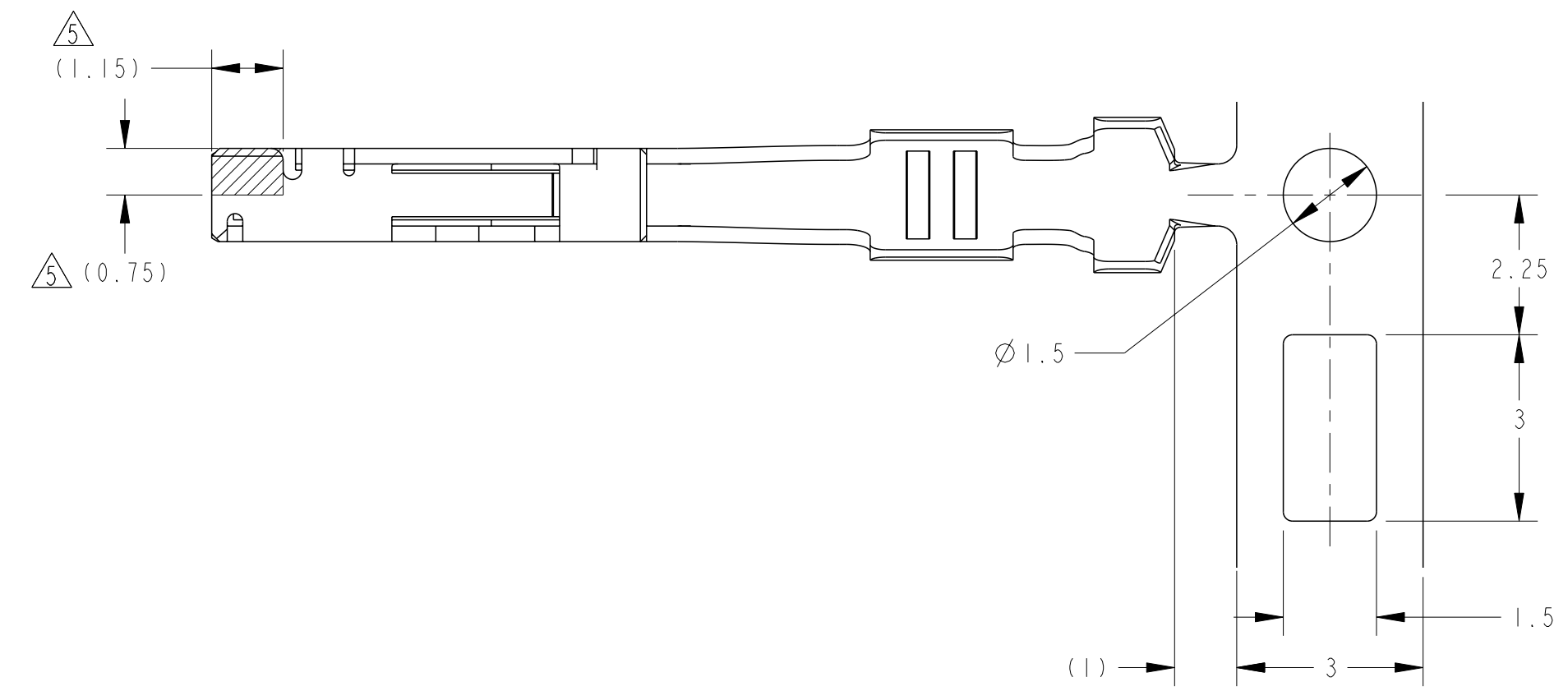


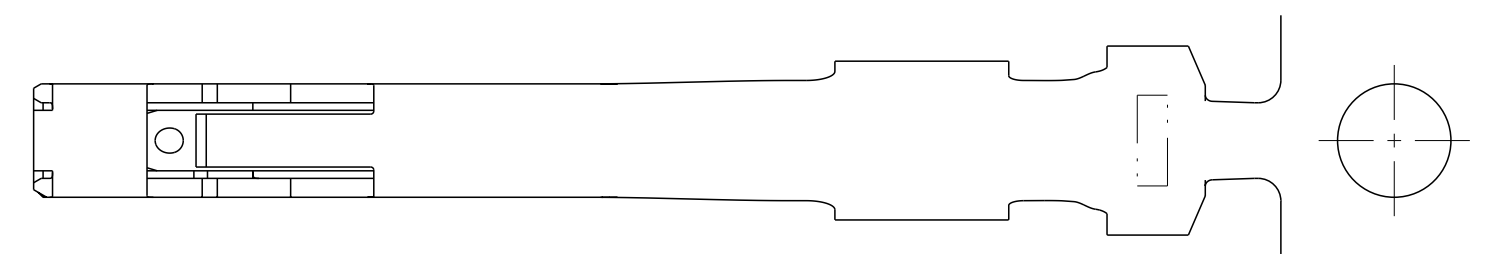
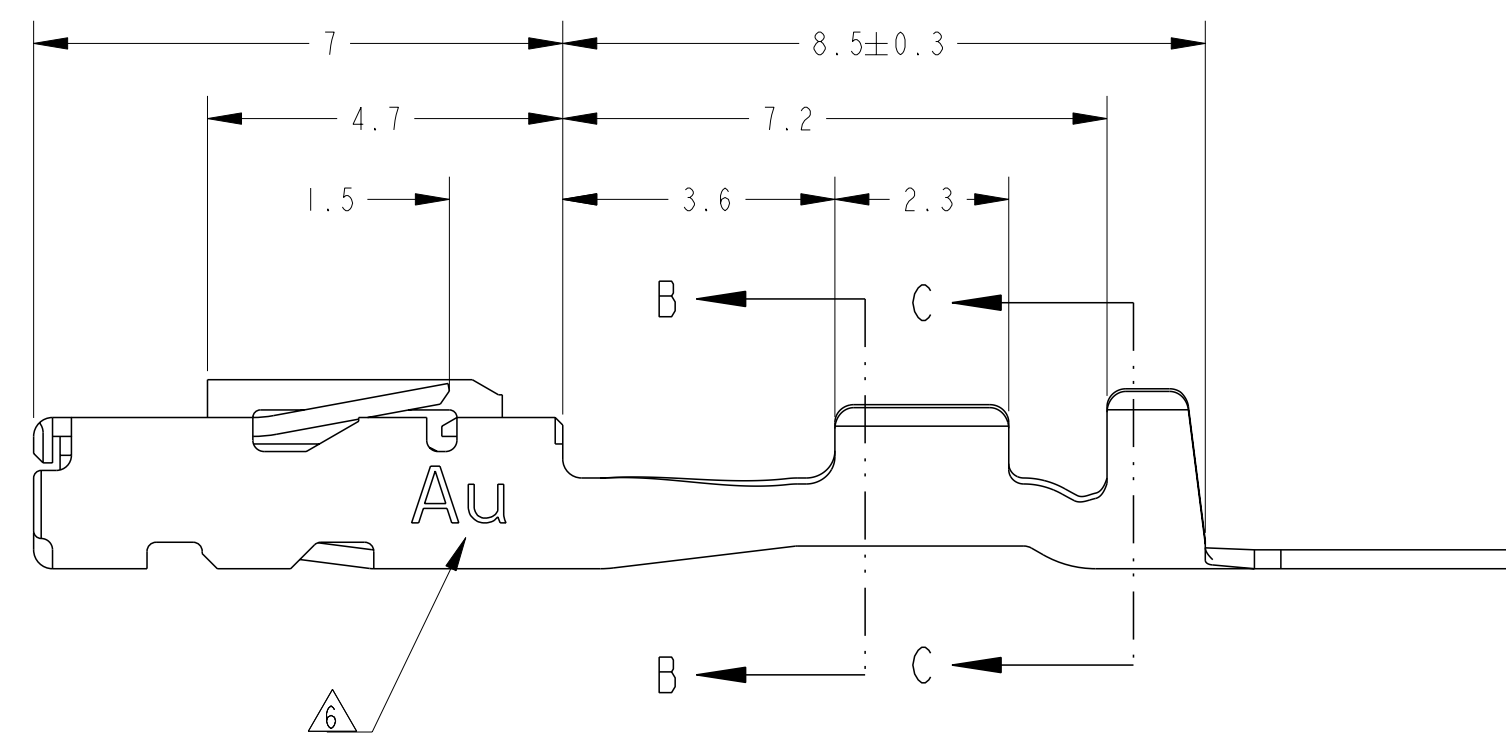
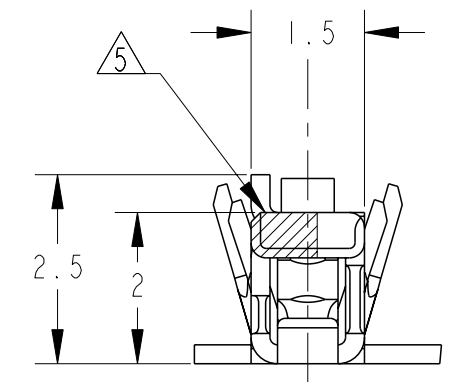
THIS DRAWING IS UNPUBLISHED. RELEASED FOR PUBLICATION JUN. 2011
 © COPYRIGHT 2011 Tyco Electronics Japan G.K. ALL RIGHTS RESERVED.

LOC		REV		REVISIONS		
P	LTR	DESCRIPTION	DATE	DWN	APVD	
P		REVISED PER ECO-11-005140	02APR2011	RK	HMR	
PI		REVISED ECR-11-007131	14JUN11	RK	HY	
R		REVISED ECR-15-013494	18SEP2015	KK	RK	



B-B C-C

1. 適用電線:
 AVSS, AVSSH-f 0.3-0.5mm²
 CAVS, CAVUS 0.22-0.5mm²
 2. 取付適用規格; 114-5250
 3. アプリケーター送りピッチ; 7.5mm
 4. パラ端子型番;
 PRE-TIN; 1318143-1
 SELECTIVE GOLD; 1318143-2
- △ 識別用金めっき範囲を示す。
 △ 識別用刻印
1. APPLICABLE WIRE RANGE ;
 AVSS, AVSSH-f 0.3-0.5mm²
 CAVS, CAVUS 0.22-0.5mm²
 2. APPLICATION SPEC ; 114-5250
 3. APPLICATOR FEED; 7.5mm.
 4. P/N OF LOOSE PIECE ;
 PRE-TIN; 1318143-1
 SELECTIVE GOLD; 1318143-2
- △ GOLD PLATED AREA FOR DISCRIMINATION.
 △ MARKING FOR IDENTIFICATION.



SEE DRAWING 1123343-7	1123343-7
OBSOLETE	1123343-5
△5△6 SELECTIVE GOLD	1123343-2
PRE-TIN	1123343-1
FINISH	PART NO.

WIRE RANGE 総合電線範囲 0.22-0.56mm² INSULATION DIA 被覆外径 Ø0.95-1.7



NAME 名称 025 RECEPTACLE CONTACT
 025 RECEPTACLE CONTACT

SIZE	CAGE CODE	DRAWING NO	RESTRICTED TO
A2	00779	C-1123343	
SCALE	10:1	SHEET	OF 1
REV			R

THIS DRAWING IS A CONTROLLED DOCUMENT.		DWN	H. YAMAGAMI	25JAN99
DIMENSIONS: 単位: 概 (mm)		CHK	T. KOHNO	25JAN99
TOLERANCES UNLESS OTHERWISE SPECIFIED: 一般公差 = ± 0.2		APVD	N. SAI	25JAN99
0-PLC	±	PRODUCT SPEC		
1-PLC	±0.1	APPLICATION SPEC		
2-PLC	±0.15	取付適用規格		
3-PLC	±0.001	114-5250		
4-PLC	±0.0001	WEIGHT 0.2g		
ANGLES	±3°00'	Customer Drawing		
MATERIAL 材料	COPPER ALLOY	SEE TABLE		

单击下面可查看定价，库存，交付和生命周期等信息

[>>TE Connectivity\(泰科\)](#)