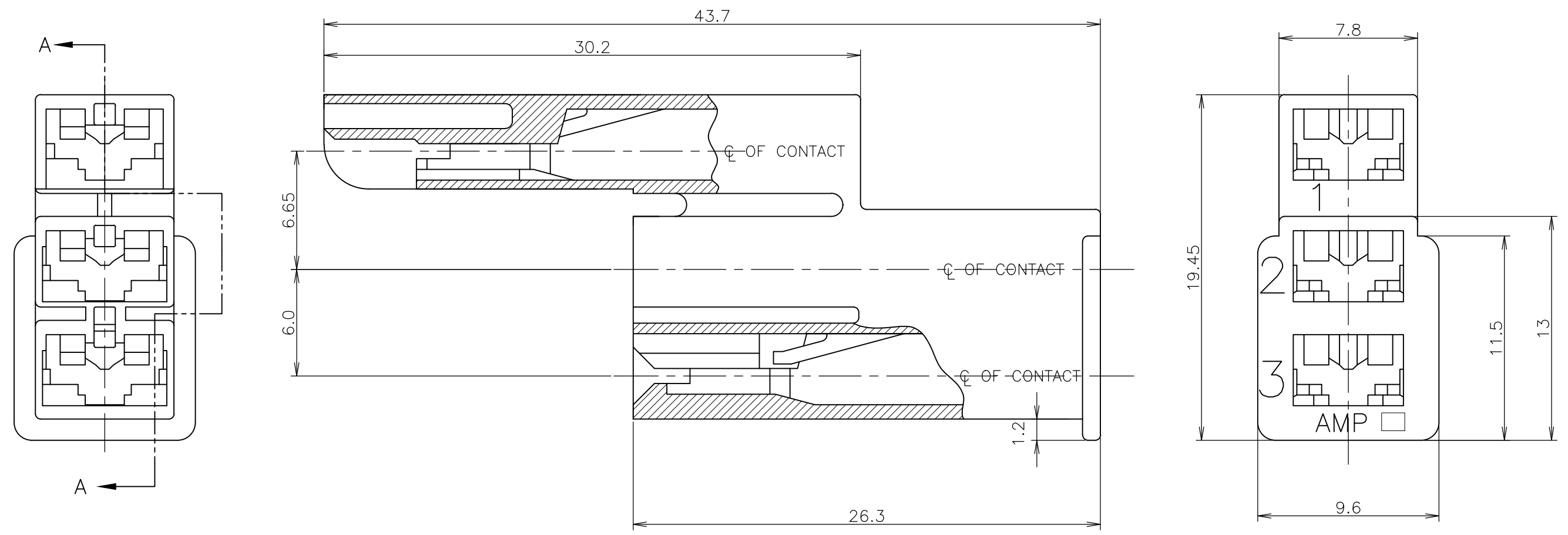


THIS DRAWING IS UNPUBLISHED. RELEASED FOR PUBLICATION DEC, 1979.
 © COPYRIGHT 1979 By Tyco Electronics Japan G.K. ALL RIGHTS RESERVED.

REVISIONS 変更					
P	LTR	DESCRIPTION	DATE	DWN	APVD
	E8	REVISED PER ECR-19-002938	22FEB2019	BH	E.W



SECTION A-A

- 1 PRODUCT SPEC : 108-5126
- 2 APPLIED CONTACT P/N : 170324,170325,170326
- 3 THIS CONNECTOR APPLIED FOR 3 POS. MICRO SWITCH.
- 4 SEE CP79-25225 FOR APPLIED TAB.
- Ⓐ MATERIAL : 6/6 NYLON (94V-2)
- Ⓑ MATERIAL : 6/6 NYLON (94V-0)
- Ⓓ OBSOLETE PARTS : OBSOLETE CIS STREAMLINING PER D.RENAUD/D.SINISI
- Ⓔ MATERIAL : PA66, UL94 V-0, GWIT 775°C

	2-172075-1	Ⓔ	NATURAL
Ⓓ	1-172075-7	Ⓓ	(RED)
	1-172075-6	Ⓓ	(BLUE)
Ⓓ	4-172075-5	Ⓓ	(GREEN)
Ⓓ	1-172075-4	Ⓓ	(YELLOW)
	1-172075-1	Ⓓ	(NATURAL)
	172075-7	Ⓓ	(RED)
	172075-6	Ⓓ	(BLUE)
OBSOLETE	172075-5	Ⓓ	(GREEN)
	172075-4	Ⓓ	(YELLOW)
	172075-1	Ⓓ	(NATURAL)
	PART NUMBER		(COLOR)

THIS DRAWING IS A CONTROLLED DOCUMENT.		DWN H.YAMADA 12DEC1979	STE TE Connectivity		
DIMENSIONS: 単位: 耗 mm		CHK A.TOMITA 12DEC1979			
TOLERANCES UNLESS OTHERWISE SPECIFIED: 一般公差		APVD Y.SATO 08APR1980	NAME 名称 187 SERIES 3 POS. POSITIVE LOCK		
0-PLC ±		PRODUCT SPEC 製品規格	MK-II HSG		
1-PLC ±0.4		APPLICATION SPEC 取付適用規格	187シリーズ 3極ポジティブロック マークII ハウジング		
2-PLC ±		WEIGHT	SIZE A3	CAGE CODE 00779	DRAWING NO. 番号 C-172075
3-PLC ±		MATERIAL 材料 注記参照 注記参照 Ⓐ Ⓑ Ⓓ Ⓔ SEE NOTES	RESTRICTED TO		
4-PLC ±			SCALE 尺度 4:1 SHEET 1 OF 1 REV E8		
ANGLES ±		CUSTOMER DRAWING			
FINISH 仕上					

PROJ.NO. 716-211

单击下面可查看定价，库存，交付和生命周期等信息

[>>TE Connectivity\(泰科\)](#)