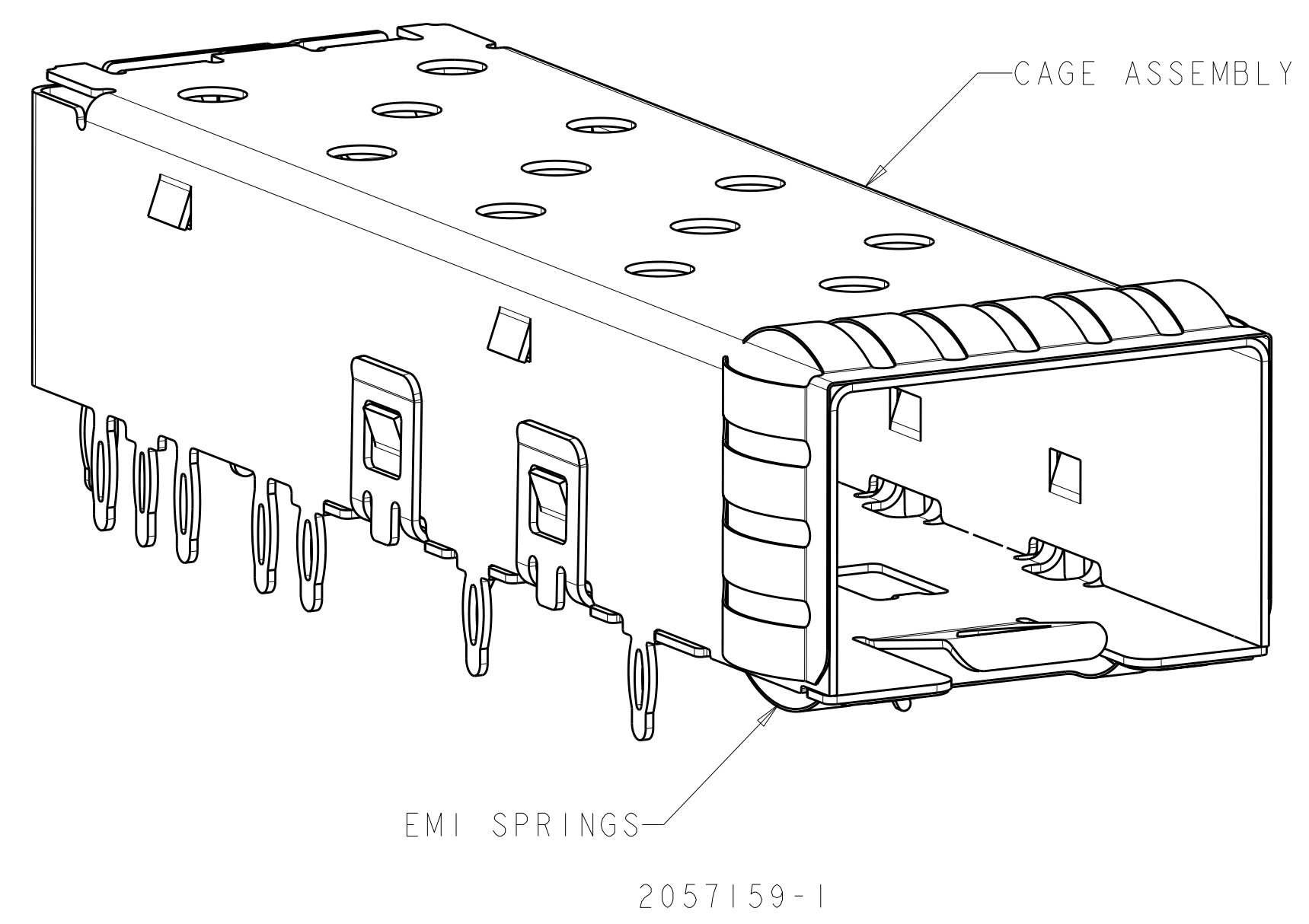
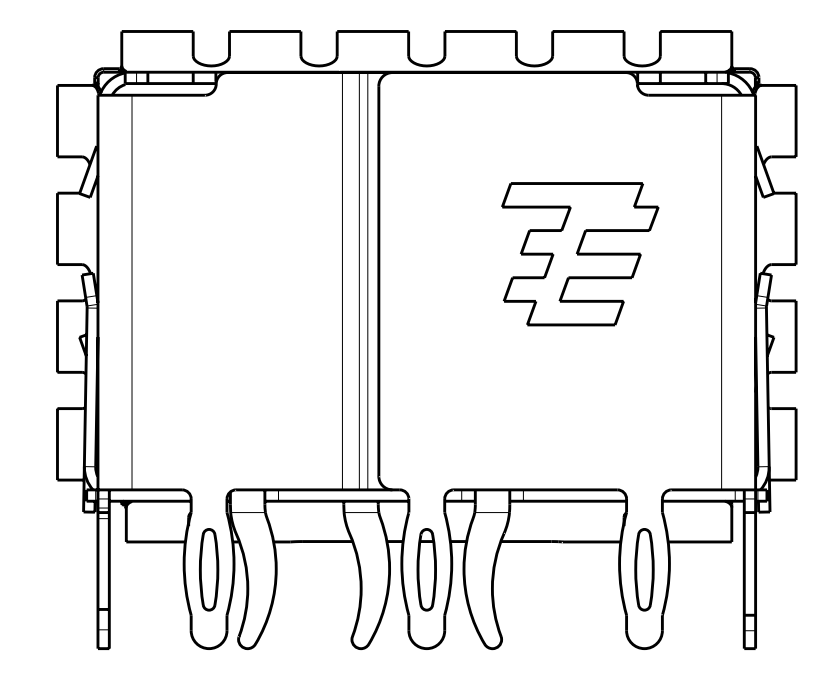
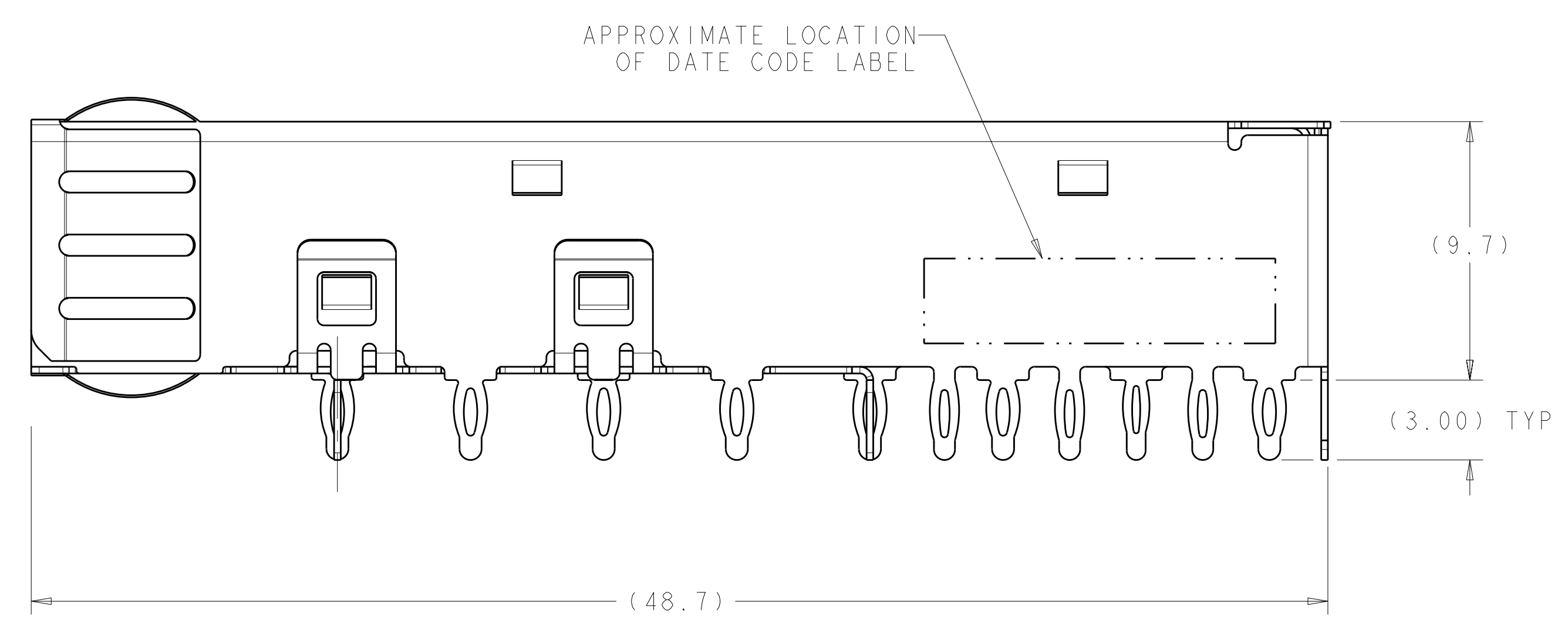
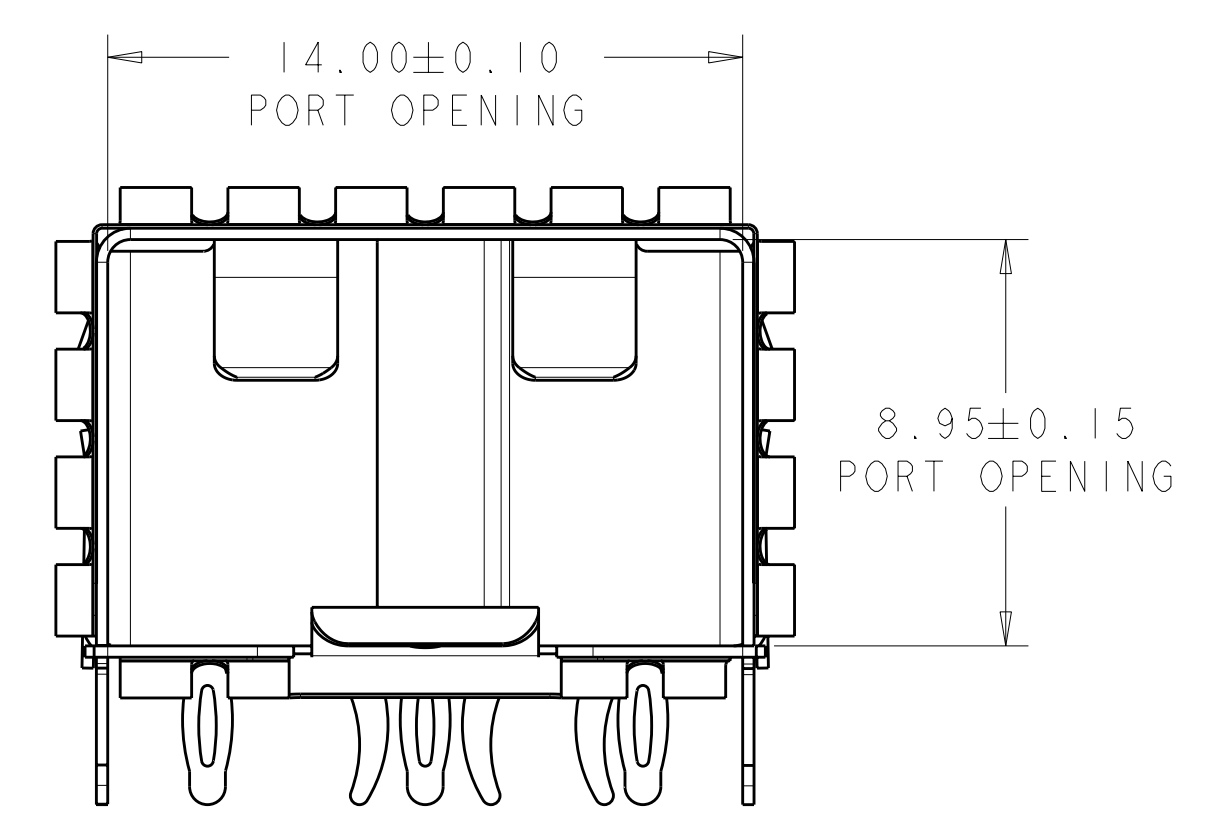
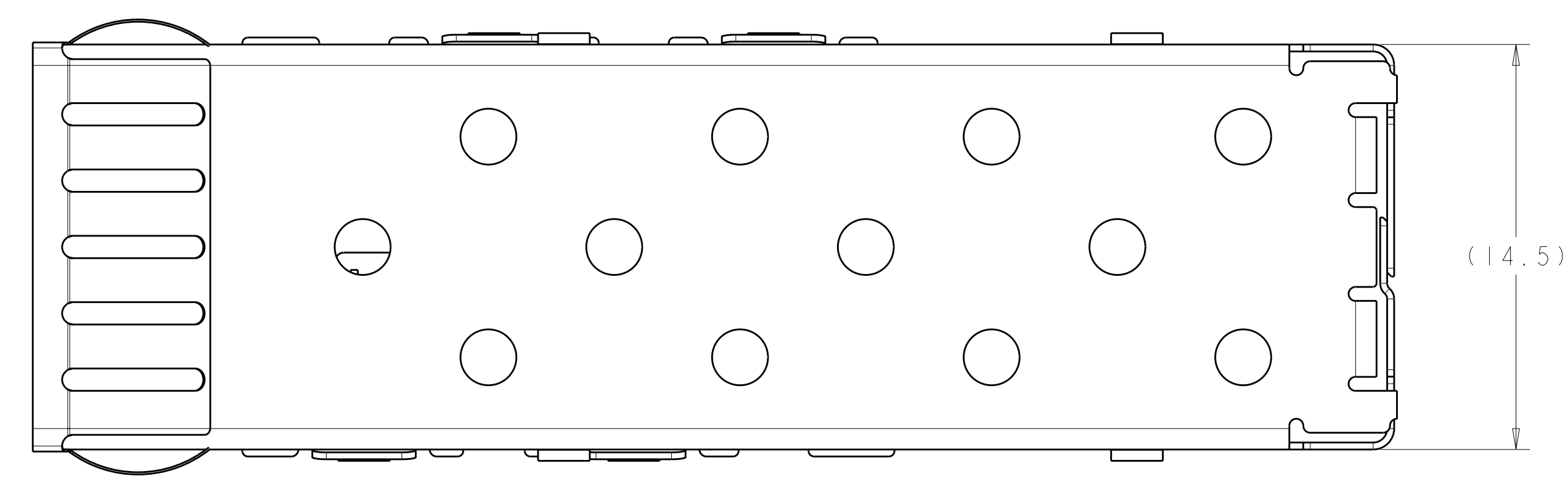


LOC	DIST	REV	DATE	DWN	APVD
GP	00	B	200CT2009	CR	MS
		C	29JAN2012	TX	AC



- △ MATERIAL:
CAGE ASSEMBLY - NICKEL-SILVER ALLOY.
EMI SPRINGS - COPPER ALLOY.
- △ FINISH:
EMI SPRINGS - 0.8um MIN MATTE TIN OVER 0.8um MIN NICKEL
NON-PLATED EDGES PERMISSIBLE.
- 3. MATES WITH SFP MSA COMPLIANT TRANSCEIVERS.
- △ PADS AND VIAS CHASSIS GROUND.
- △ DATUM AND BASIC DIMENSION ESTABLISHED BY CUSTOMER.
- 6. MINIMUM PC BOARD THICKNESS:
SINGLE SIDED = 1.50 mm
DOUBLE SIDED = 3.00 mm
- △ REFERENCE APPLICATION SPEC. 114-13120, HOLE A, FOR
RECOMMENDED DRILL HOLE DIAMETER AND PLATING
THICKNESS.
- △ REFERENCE APPLICATION SPEC. 114-13120, HOLE C, FOR
RECOMMENDED DRILL HOLE DIAMETER AND PLATING
THICKNESS.
- 9. NOTE DELETED.

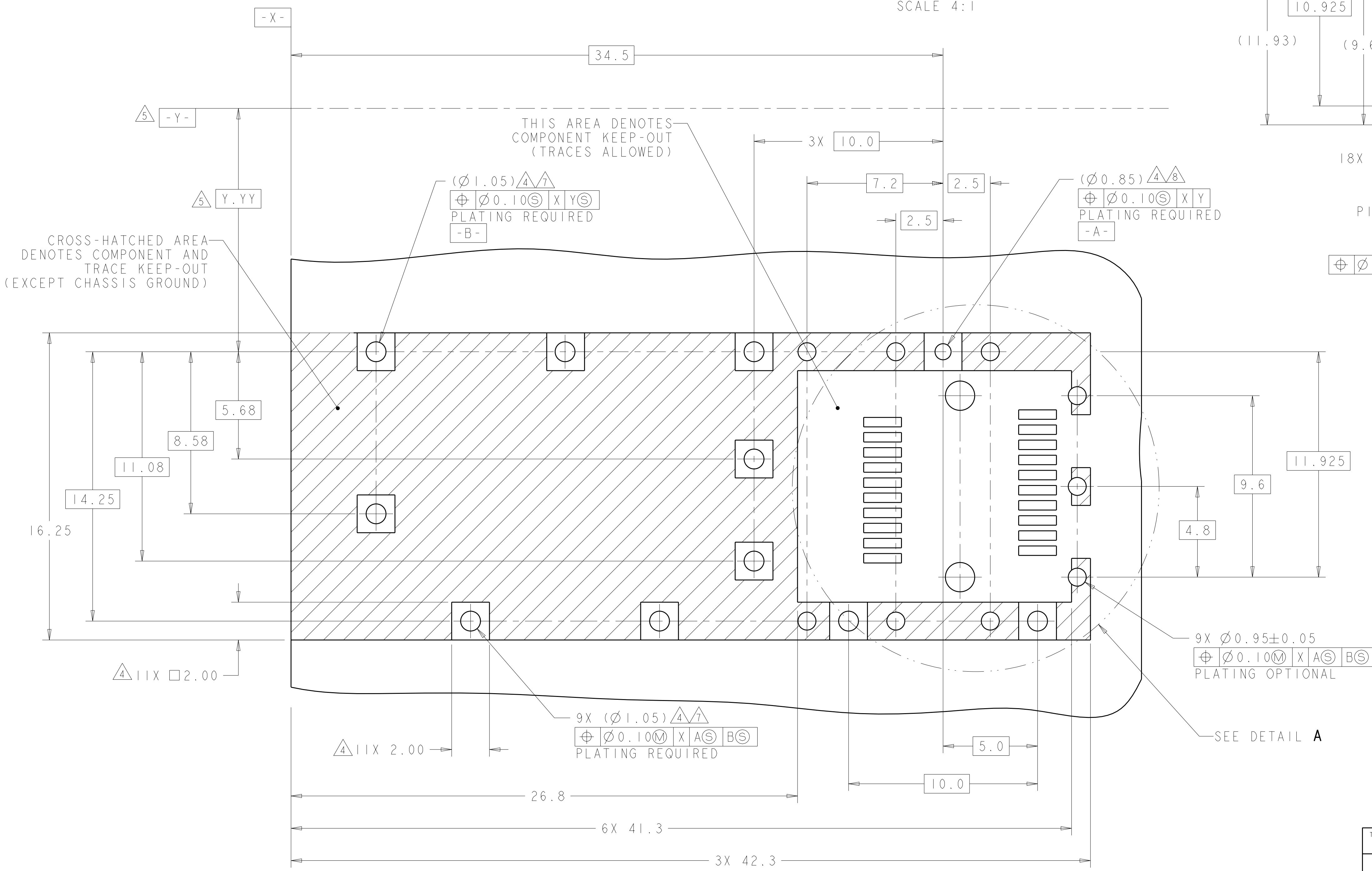
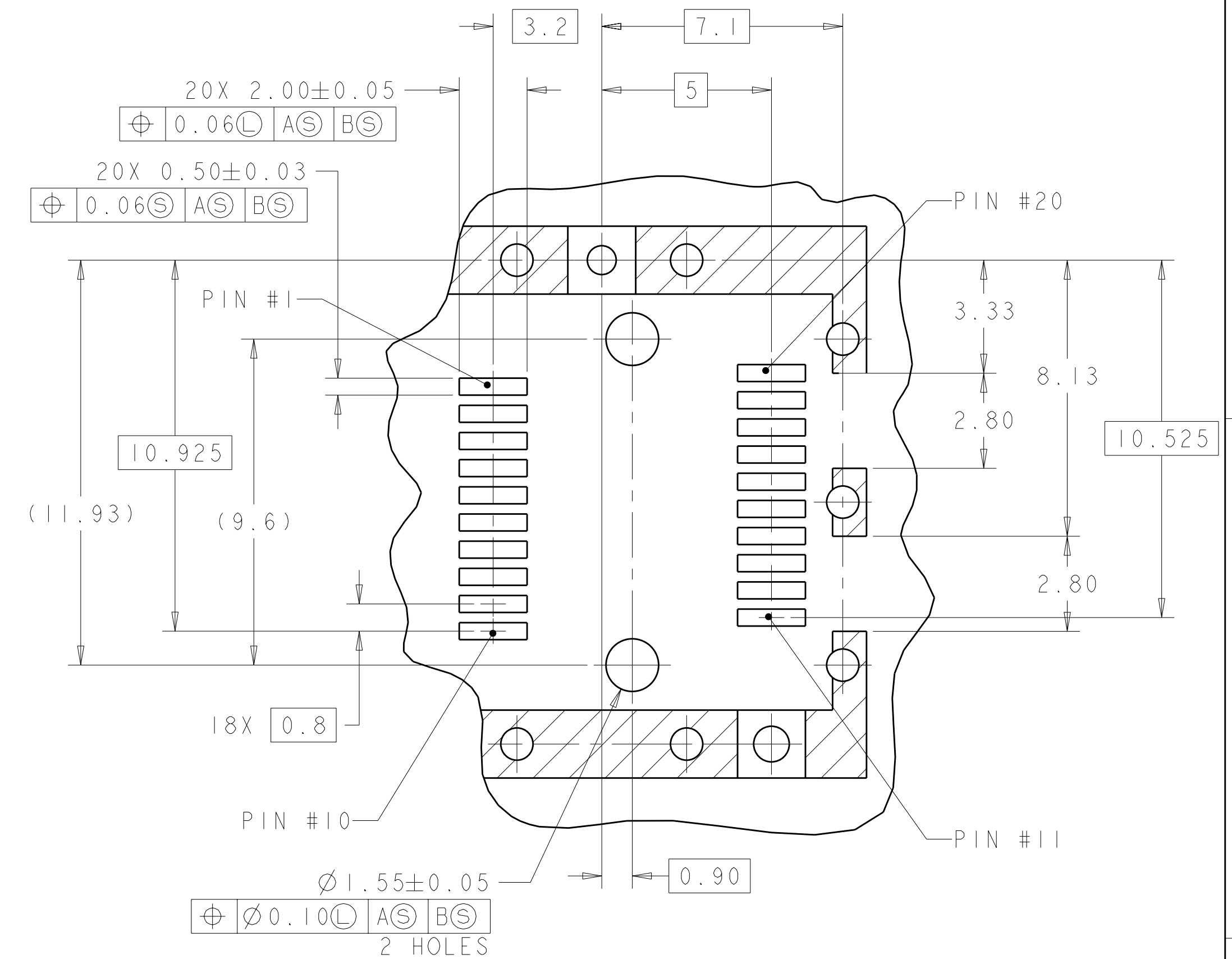
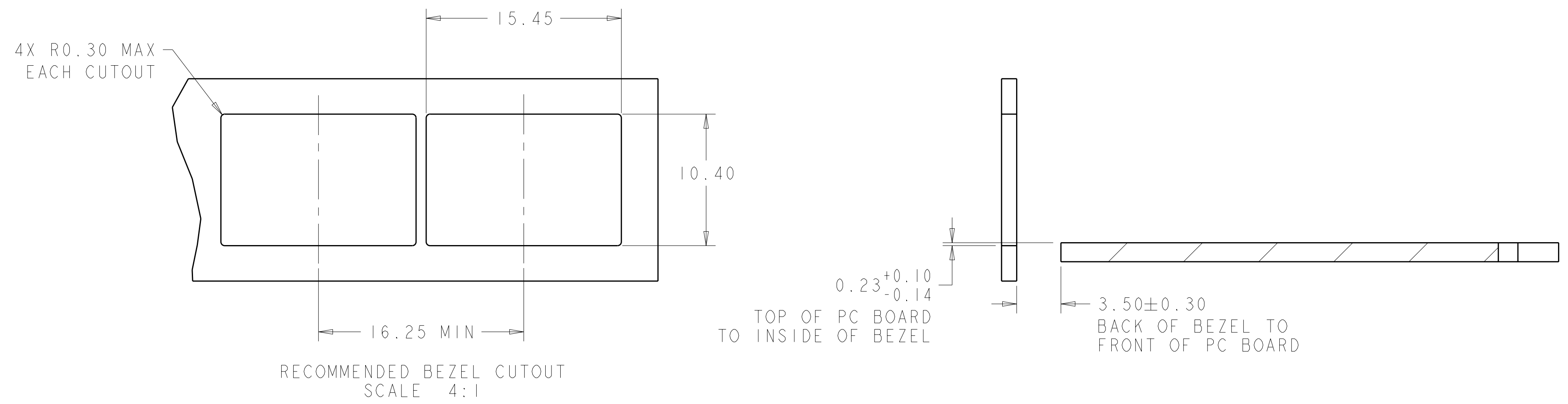


2057159-1
PART NUMBER

THIS DRAWING IS A CONTROLLED DOCUMENT.		DWN M. SCHMITT 24APR2008	TE Connectivity	
DIMENSIONS: mm		CHK M. SCHMITT 24APR2008		
TOLERANCES UNLESS OTHERWISE SPECIFIED:		APVD B. WERTZ 24APR2008		
9 PLC ±0.1	1 PLC ±0.1	PRODUCT SPEC 108-2364	NAME SFP+ 1X1 CAGE ASSEMBLY	
2 PLC ±0.1	3 PLC ±0.1	APPLICATION SPEC 114-13120	PRESS-FIT, EXTERNAL EMI SPRINGS	
4 PLC ±0.05	ANGLES ±0.05	WEIGHT	SIZE CAGE CODE DRAWING NO. RESTRICTED TO	
MATERIAL		FINISH	A100779C=2057159	
CUSTOMER DRAWING		SCALE 6:1	SHEET 1 OF 2 REV C	

LOC	DIST	REV	DATE	BY	APPD
GP	00				

REVISIONS		DATE	BY	APPD
1	SEE SHEET 1			



THIS DRAWING IS A CONTROLLED DOCUMENT.		DWN M. SCHMITT 24APR2008	 TE Connectivity
DIMENSIONS: mm		CHK M. SCHMITT 24APR2008	
TOLERANCES UNLESS OTHERWISE SPECIFIED:		APVD B. WERTZ 24APR2008	NAME SFP+ IXL CAGE ASSEMBLY PRESS-FIT, EXTERNAL EMI SPRINGS
9 PLC ±0.1	1 PLC ±0.1	PRODUCT SPEC 108-2364	SIZE CAGE CODE DRAWING NO. RESTRICTED TO
2 PLC ±0.1	3 PLC ±0.05	APPLICATION SPEC 114-13120	A100779C=2057159
4 PLC ±0.05	ANGLES ±0.05	WEIGHT	SCALE 6:1 SHEET 2 OF 2 REV C
MATERIAL	FINISH	CUSTOMER DRAWING	

单击下面可查看定价，库存，交付和生命周期等信息

[>>TE Connectivity\(泰科\)](#)