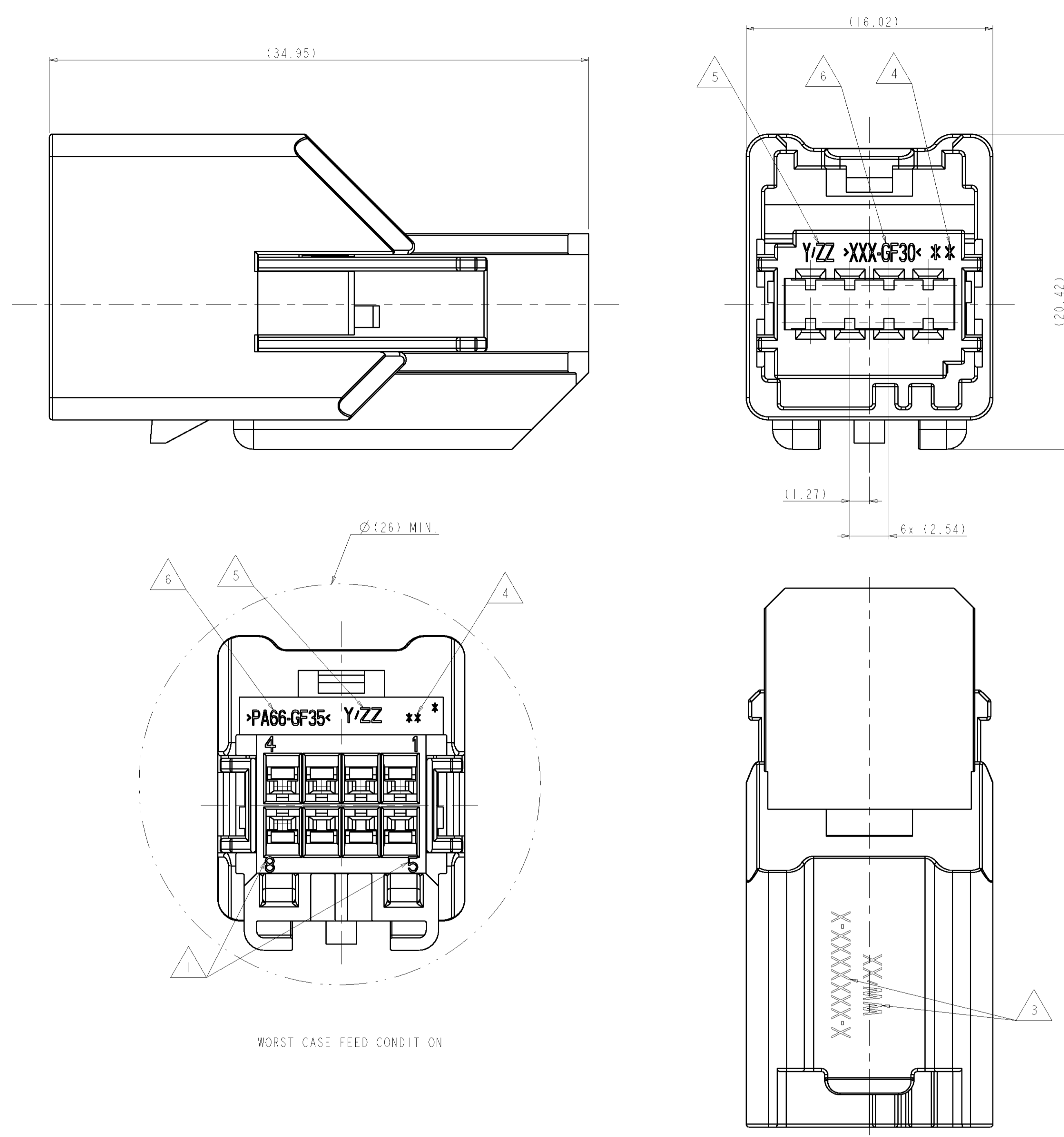
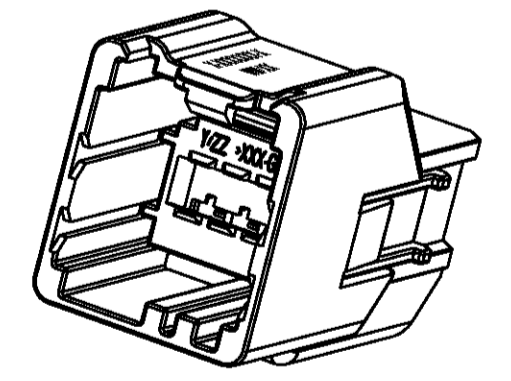
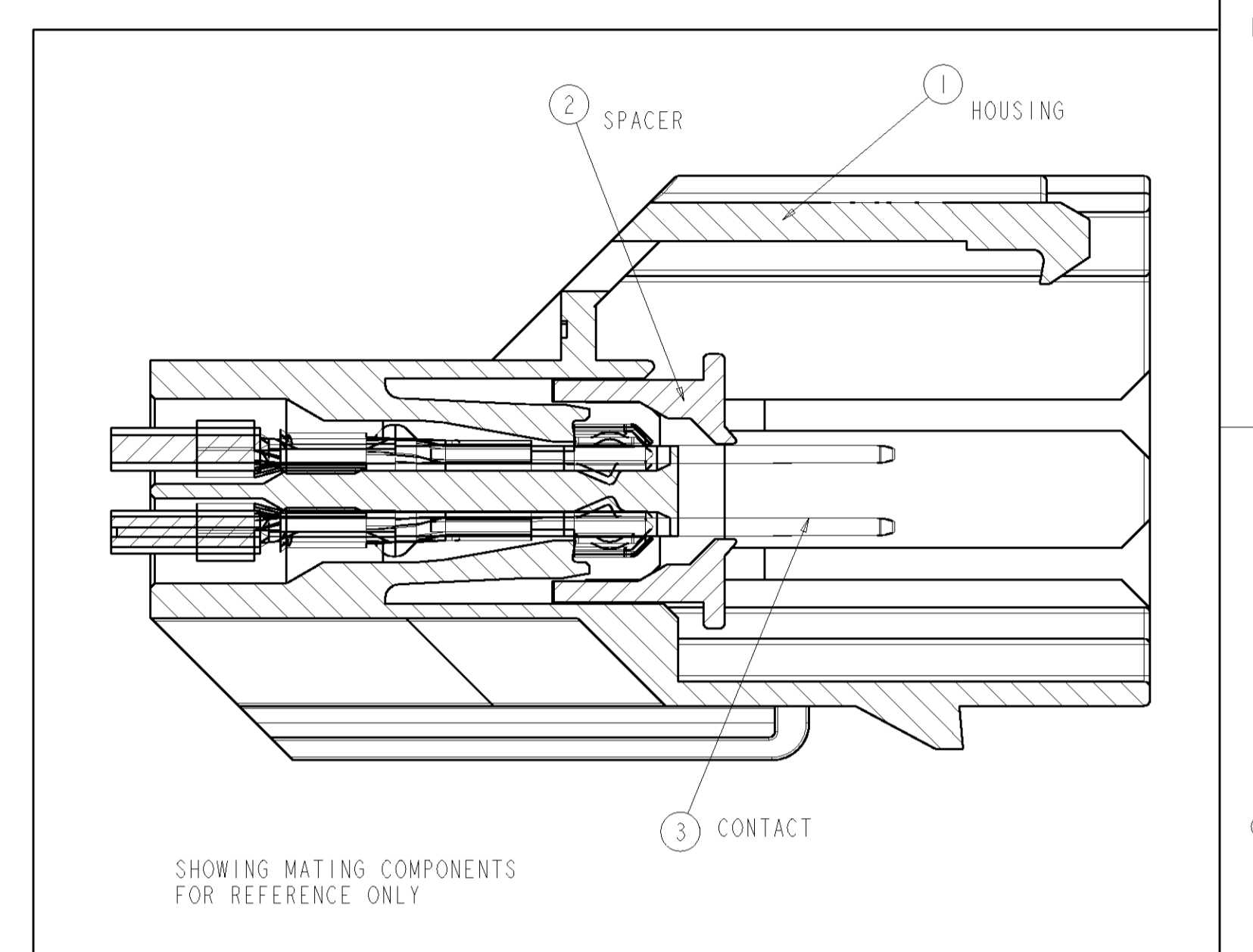


- NOTE:
- 1 MOLD TERMINAL POSITION NUMBERS LOCATED AS SHOWN
  - 2 DELIVERY CONDITION: SPACER IN PRE INSTALLED POSITION
  - 3 PART NUMBER AND TRACEABILITY CODE
  - 4 PRODUCT REVISION LEVEL OPTIONAL
  - 5 TOOL NUMBER AND CAVITY NUMBER OPTIONAL
  - 6 MATERIAL IDENTIFICATION
  - 7 PACKING: CONNECTOR ASSEMBLIES TO BE BULK PACKED IN CARD BOARD BOX



| LOC | DIST | REV | DESCRIPTION                               | DATE      | DRW  | APVD |
|-----|------|-----|---|-----------|------|------|
| A1  | -    | -   | MATERIAL DEFINITION CORRECTED             | 29MAR2002 | M.D. | -    |
| C   | -    | -   | SEE PCN: EG00-2048-02-01                  | 25JUN2002 | M.D. | -    |
| C1  | -    | -   | CODING D RELEASED: PCN EG00-4153-02-1     | 19DEC2002 | MD   | -    |
| C2  | -    | -   | COLOR OF HOUSING CORRECTED; ECR-05-014861 | 04NOV2005 | CS   | GS   |
| D   | -    | -   | SEE ECR-07-012410                         | 25MAY2007 | HM   | GS   |



KEYING OPTION C IS SHOWN

| TYCO ORDER-NUMBER | KEYING OPTIONS |                    |           |        |   |   |   |   |
|-------------------|----------------|--------------------|-----------|--------|---|---|---|---|
|                   | A              | C                  | D         | E      | F | G | H |   |
| 1411169-1         |                |                    |           |        |   |   |   |   |
| 1411169-3         |                |                    |           |        |   |   |   |   |
| 1411169-4         |                |                    |           |        |   |   |   |   |
| 1411169-5         |                |                    |           |        |   |   |   |   |
| 1411169-6         |                |                    |           |        |   |   |   |   |
| 1411169-7         |                |                    |           |        |   |   |   |   |
| 1411169-8         |                |                    |           |        |   |   |   |   |
| TYCO ASSY-REV.    | D              | D                  | B         | -      | - | - | - |   |
|                   | I              | I                  | I         | I      | I | I | I | 2 |
|                   | -              | -                  | -         | -      | - | - | I | I |
|                   | -              | -                  | -         | -      | - | I | - | I |
|                   | -              | -                  | -         | I      | - | - | - | I |
|                   | -              | -                  | I         | -      | - | - | - | I |
|                   | -              | I                  | -         | -      | - | - | - | I |
|                   | I              | -                  | -         | -      | - | - | - | I |
| KEYING OPTIONS    | ITEM           | DESCRIPTION        | MATERIAL  | COLOUR |   |   |   |   |
|                   |                | SPACER             | PBT-GF30  | RED    |   |   |   |   |
|                   |                | MALE HOUSING COD.H | PA66-GF35 | GREY   |   |   |   |   |
|                   |                | MALE HOUSING COD.G | PA66-GF35 | GREY   |   |   |   |   |
|                   |                | MALE HOUSING COD.F | PA66-GF35 | GREY   |   |   |   |   |
|                   |                | MALE HOUSING COD.E | PA66-GF35 | GREY   |   |   |   |   |
|                   |                | MALE HOUSING COD.D | PA66-GF35 | GREY   |   |   |   |   |
|                   |                | MALE HOUSING COD.C | PA66-GF35 | GREY   |   |   |   |   |
|                   |                | MALE HOUSING COD.A | PA66-GF35 | GREY   |   |   |   |   |

|                |  |   |  |                          |  |                             |  |         |  |                  |  |
|----------------|--|---|--|--------------------------|--|-----------------------------|--|---------|--|------------------|--|
| DIMENSIONS: mm |  | TOLERANCES UNLESS OTHERWISE SPECIFIED:                          |  | DWN: R. STUBBE 24MAR2002 |  | CHK: G. STEINBACH 29APR2002 |  | APVD: - |  | NAME: -          |  |
|                |  | 0-ELC ±<br>1-PLC ±<br>2-PLC ±<br>3-PLC ±<br>4-PLC ±<br>ANGLES ± |  | PRODUCT SPEC             |  | APPLICATION SPEC            |  | WEIGHT  |  | CUSTOMER DRAWING |  |
| MATERIAL       |  | FINISH  |  | SCALE: 5:1               |  | SHEET 1 OF 1                |  | REV D   |  | RESTRICTED TO    |  |

单击下面可查看定价，库存，交付和生命周期等信息

[>>TE Connectivity\(泰科\)](#)