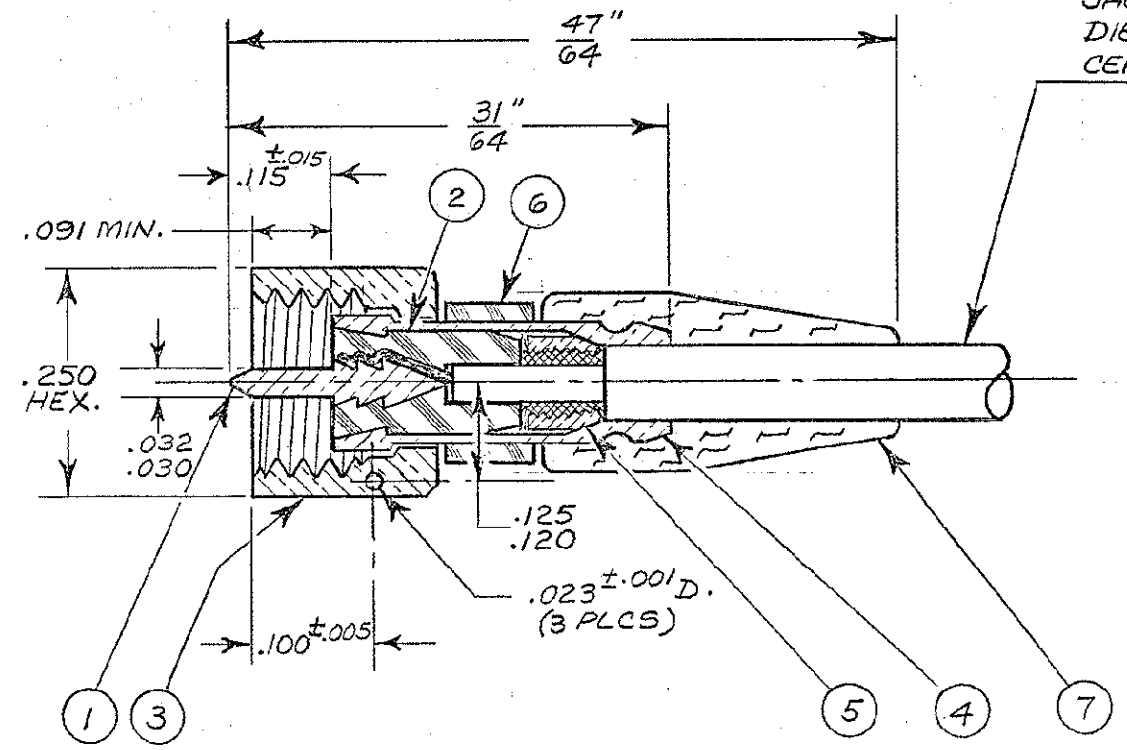


**CABLE ACCEPTANCE DIMS.**  
 JACKET DIA. .088 MAX.  
 DIELECTRIC DIA. .050 MAX.  
 CENTER CONDUCTOR DIA. .013 MAX.

REVISIONS				
ZONE	LTR	DESCRIPTION	DATE	APPROVED
		FOR PRIOR CHANGES SEE OLD PRINTS.		
	J	REDRAWN & UPDATED (ECO 18772) mfw	10/24/74	[Signature]
	K	ECN 36837 ITEM 7, WAS 003-0031-0000	3/21/97	[Signature]
	L	ECN 40484, UPDATE REV. LETTER.	8/25/00	[Signature]



- NOTES: (UNLESS OTHERWISE SPECIFIED)
- THIS CONNECTOR MATES WITH ALL S-50 JACKS AND RECEPTACLES AS LISTED IN MICRODOT CATALOG.
  - FOR ASSEMBLY INSTRUCTIONS SEE BULLETIN #47.
  - MICRODOT ASSY. TOOL 010-0003-0000 REQUIRED.
  - OPTIONAL, DEPENDING ON CUSTOMER REQUIREMENTS.
  - SILVER PLATE .0002-.0004 PER QQ-S-365.
  - GOLD PLATE .00005 MIN. PER MIL-G-45204, TYPE II, CLASS I.
  - 10-32 UNF-2B THREAD.
  - NUT CROSS DRILLED FOR SAFETY WIRING.
  - ALL DIMS. ARE AFTER PLATE DIMS.

- △ 4
- △ 5
- △ 6
- △ 5 △ 6 △ 7
- △ 6

QTY.	PT. NO.	DESCRIPTION	ITEM NO.
1	003-0270-0000	B.R. CAP SILICONE RUBBER ZZ-R-765	7
1	003-0597-0001	SLEEVE TEFLON, L-P-403	6
1	003-0163-0001	RING BRASS PER QQ-B-626	5
1	003-0160-0001	FERRULE BRASS PER QQ-B-626	4
1	003-0772-0001	NUT BRASS PER QQ-B-626	3
1	003-0027-0001	BUSHING TEFLON, L-P-403	2
1	003-0359-0002	PIN BRASS PER QQ-B-626	1

PARTS LIST

UNLESS OTHERWISE SPECIFIED DIMENSIONS ARE IN INCHES TOLERANCES ARE: FRACTIONS DECIMALS ANGLES ± 1/32" .XX ± ± .XXX ± .010		CONTRACT NO.		<b>MALCO</b> A MICRODOT COMPANY, INC. 220 PASADENA AVE., SO. PASADENA, CALIF. 91030	
MATERIAL NOTED		APPROVALS DATE			
FINISH NOTED		DRAWN mfw 7/10/61		PLUG PROD. CODE 934 CODE CDM	
NEXT ASSY USED ON		CHECKED			
APPLICATION		PR. ENG.		SIZE CODE IDENT NO. DRAWING NO.	
DO NOT SCALE DRAWING		APPROVED gfw		B 98278 052-0213-0001 L	
		These drawings and specifications are the property of Microdot Inc., are issued in strict confidence and shall not be divulged, be reproduced or copied, or used as the basis for the manufacture or sale of any article without written permission of Microdot Inc.		SCALE SHEET 1 OF 1	

052-0213-0001 SAME AS 052-0213

BISHOP GRAPHICS/ACCUPRESS REORDER NO. 2196

单击下面可查看定价，库存，交付和生命周期等信息

[>>TE Connectivity\(泰科\)](#)