

4

3

2

1

THIS DRAWING IS UNPUBLISHED.

RELEASED FOR PUBLICATION

20

LOC

DIST

REVISIONS

© COPYRIGHT 20 BY -

ALL RIGHTS RESERVED.

GP

00

P

LTR

DESCRIPTION

DATE

DWN

APVD

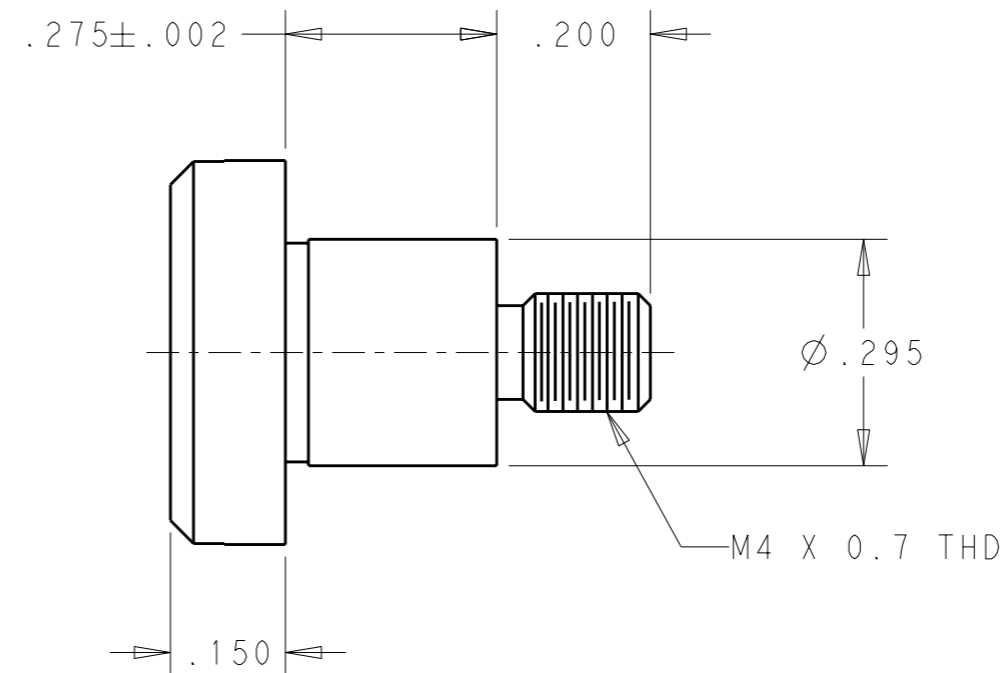
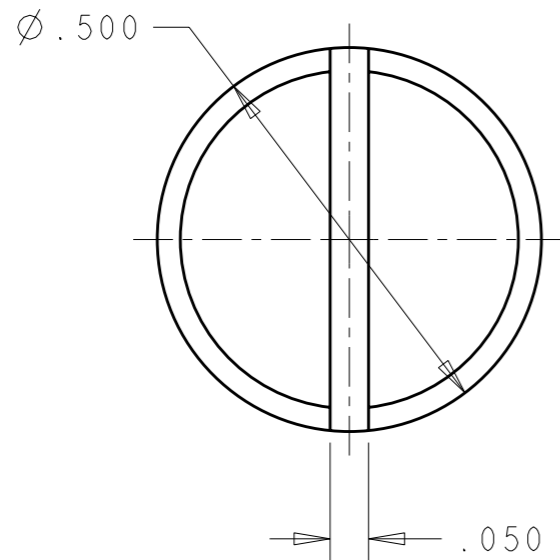
A

RELEASED

26 JUL 2011

RG

DO



1 MATERIAL: STAINLESS STEEL

2 FINISH: PASSIVATE

3. ITEMS PROVIDED TO THIS SPECIFICATION TO BE PERMANENTLY IDENTIFIED ON THE CONTAINER WITH THE FOLLOWING: TE PART NO. AND DATE CODE

2085844-1

PART NUMBER

THIS DRAWING IS A CONTROLLED DOCUMENT.

DWN 26 JUL 2011 R. GRZYBOWSKI

CHK 26 JUL 2011 D. ORRIS

APVD 26 JUL 2011 D. ORRIS

PRODUCT SPEC

APPLICATION SPEC

WEIGHT

CUSTOMER DRAWING

STE TE Connectivity

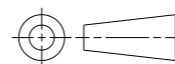
NAME SHOULDER SCREW .500 DIA SLOTTED HEAD, M4 X 0.7 THD IN-LINE QUAD POWER

SIZE CAGE CODE DRAWING NO RESTRICTED TO

A3 00779 C-2085844

SCALE 4:1 SHEET 1 OF 1 REV A

DIMENSIONS: INCHES



TOLERANCES UNLESS OTHERWISE SPECIFIED:

0 PLC	±-
1 PLC	±-
2 PLC	±.01
3 PLC	±.005
4 PLC	±-
ANGLES	±-

MATERIAL



FINISH



单击下面可查看定价，库存，交付和生命周期等信息

[>>TE Connectivity\(泰科\)](#)