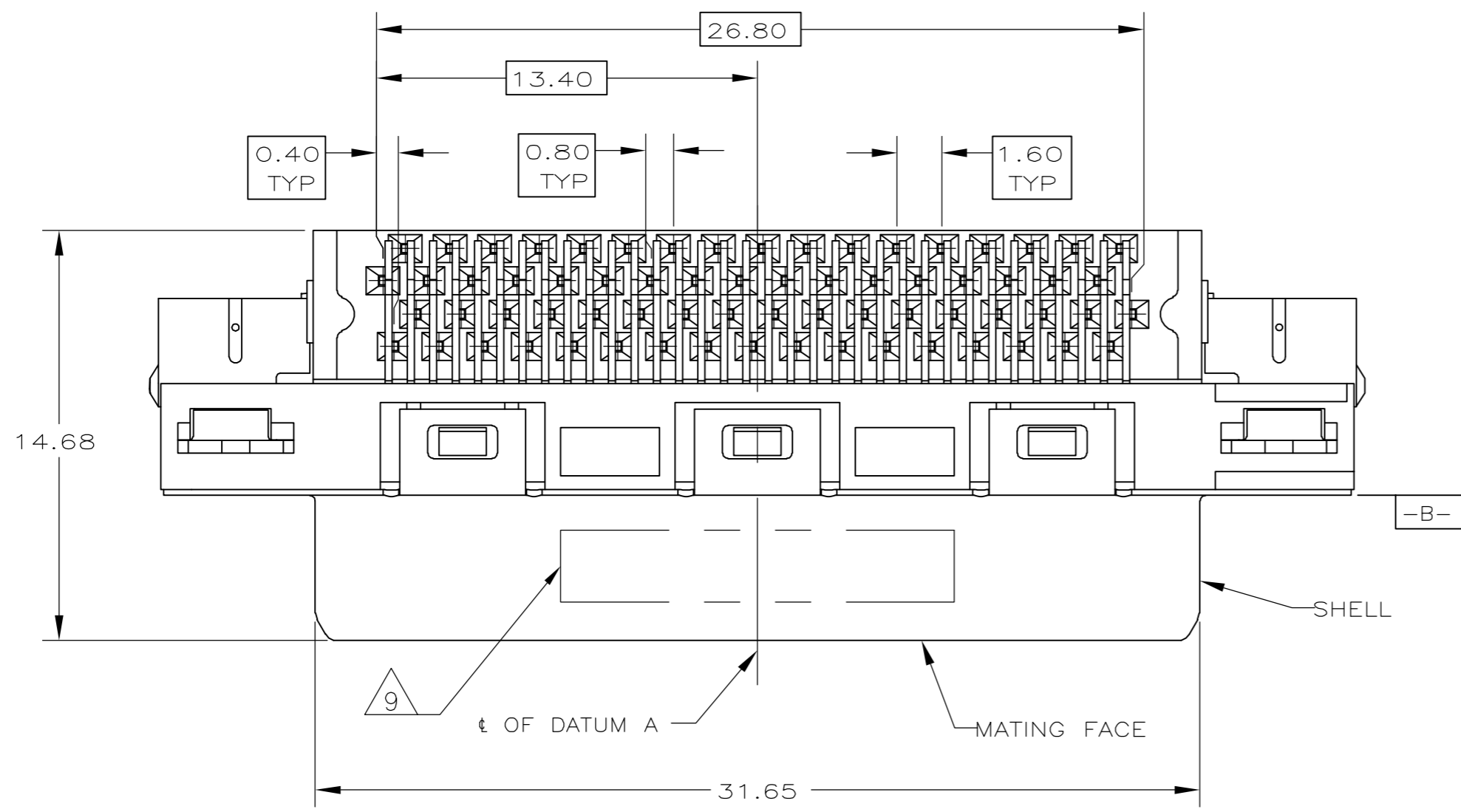
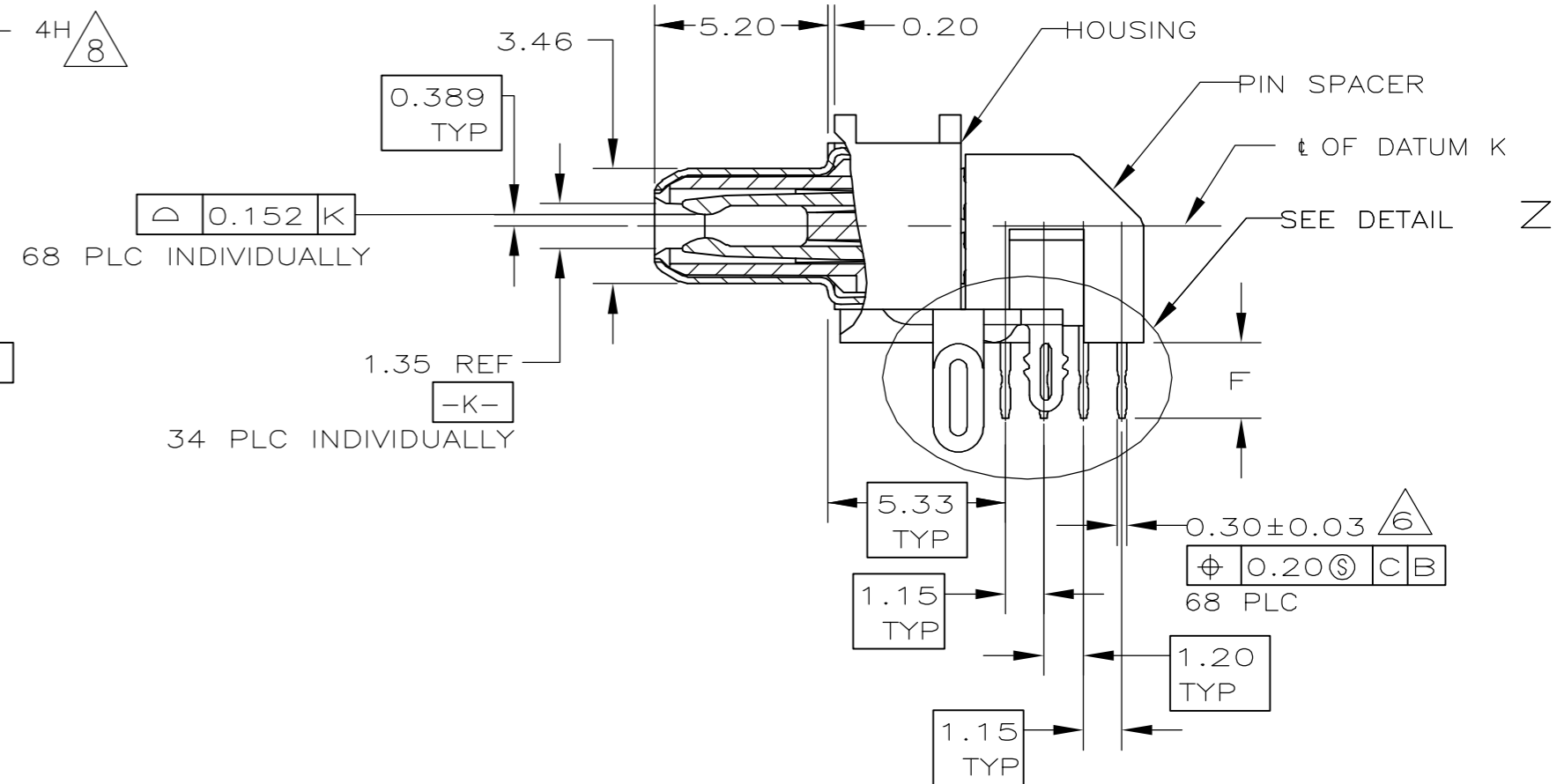
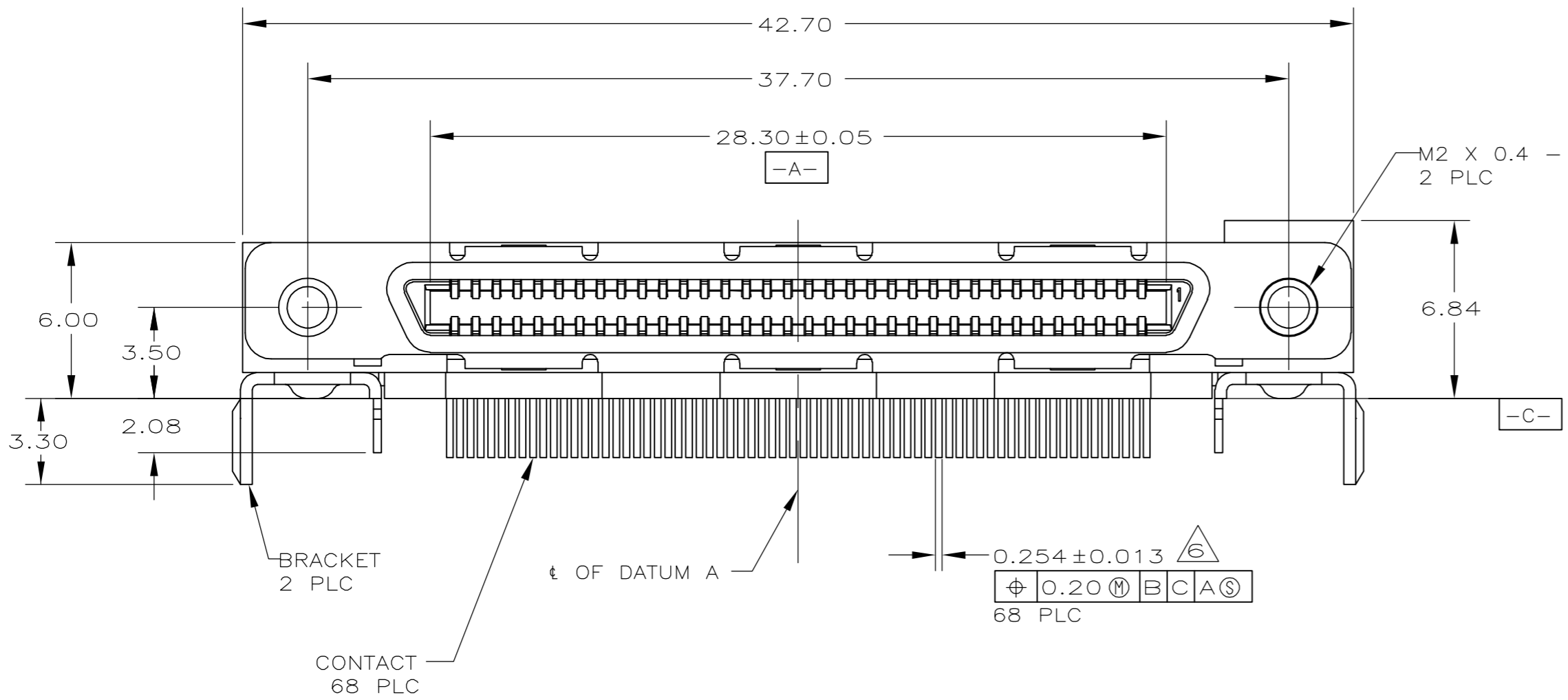


THIS DRAWING IS UNPUBLISHED. RELEASED FOR PUBLICATION  
 © COPYRIGHT BY TYCO ELECTRONICS CORPORATION. ALL RIGHTS RESERVED.

LOC		DIST		REVISIONS			
P	LTR	DESCRIPTION		DATE	DWN	APVD	
GP	00	P		REVISED PER ECO-07-004221	30MAR07	JDP	EDB



- 1 HOUSING & PIN SPACER: THERMOPLASTIC, BLACK, UL 94V-0 RATED. SHELL: CARBON STEEL. CONTACTS: PHOSPHOR BRONZE. BRACKETS: STEEL.
- 2 SHELL: 5.08 μm MIN NICKEL OVER 2.54 μm MIN COPPER. CONTACTS: 0.76 μm MIN GOLD ON MATING END, 3.75 MIN TIN-LEAD ON SOLDER TAILS, BOTH OVER 1.27 μm MIN NICKEL ON ENTIRE CONTACT. BRACKETS: TIN PLATED.
- 3 CONTACTS DESIGNED FOR USE ON 1.60±0.15 THICK PC BOARD WITH PLATED THRU MOUNTING HOLES.
- 4 RECEPTACLE ASSEMBLY DESIGNED FOR USE WITH 1.12±0.08 THICK PANEL.
- 5 DATUMS AND DIMENSIONS ESTABLISHED BY CUSTOMER.
- 6 POSITION TOLERANCE APPLIES AT CONTACT TIP ONLY.
- 7 CONTACTS DESIGNED FOR USE ON 2.35±0.15 THICK PC BOARD WITH PLATED THRU MOUNTING HOLES.
- 8 MAXIMUM TORQUE 0.45 N-M.
- 9 DATE CODE MARKED IN APPROXIMATE AREA SHOWN.



SUPERSEDED BY 796055-1

REVISIONS	DATE	PART NUMBER
3	2.27	796055-3
7	3.55	796055-2
3	2.27	796055-1
REMARKS	F	PART NUMBER

THIS DRAWING IS A CONTROLLED DOCUMENT.		DWN T.SHUEY 09MAR05	Tyco Electronics Corporation Harrisburg, PA 17105-3608	
DIMENSIONS: mm		CHK J.GERACE 09MAR05	NAME	
TOLERANCES UNLESS OTHERWISE SPECIFIED:		APVD M.WALMSLEY 09MAR05	PRODUCT SPEC	
0 PLC ± -	1 PLC ± -	108-1471-1		
2 PLC ± 0.13	3 PLC ± -	APPLICATION SPEC		
4 PLC ± -	ANGLES ± 1°	114-6057		
MATERIAL 1	FINISH 2	WEIGHT -	SIZE A2	CAGE CODE 00779
CUSTOMER DRAWING		SCALE 5:1	DRAWING NO C=796055	RESTRICTED TO -
		SHEET 1 of 2	REV P	



单击下面可查看定价，库存，交付和生命周期等信息

[>>TE Connectivity\(泰科\)](#)