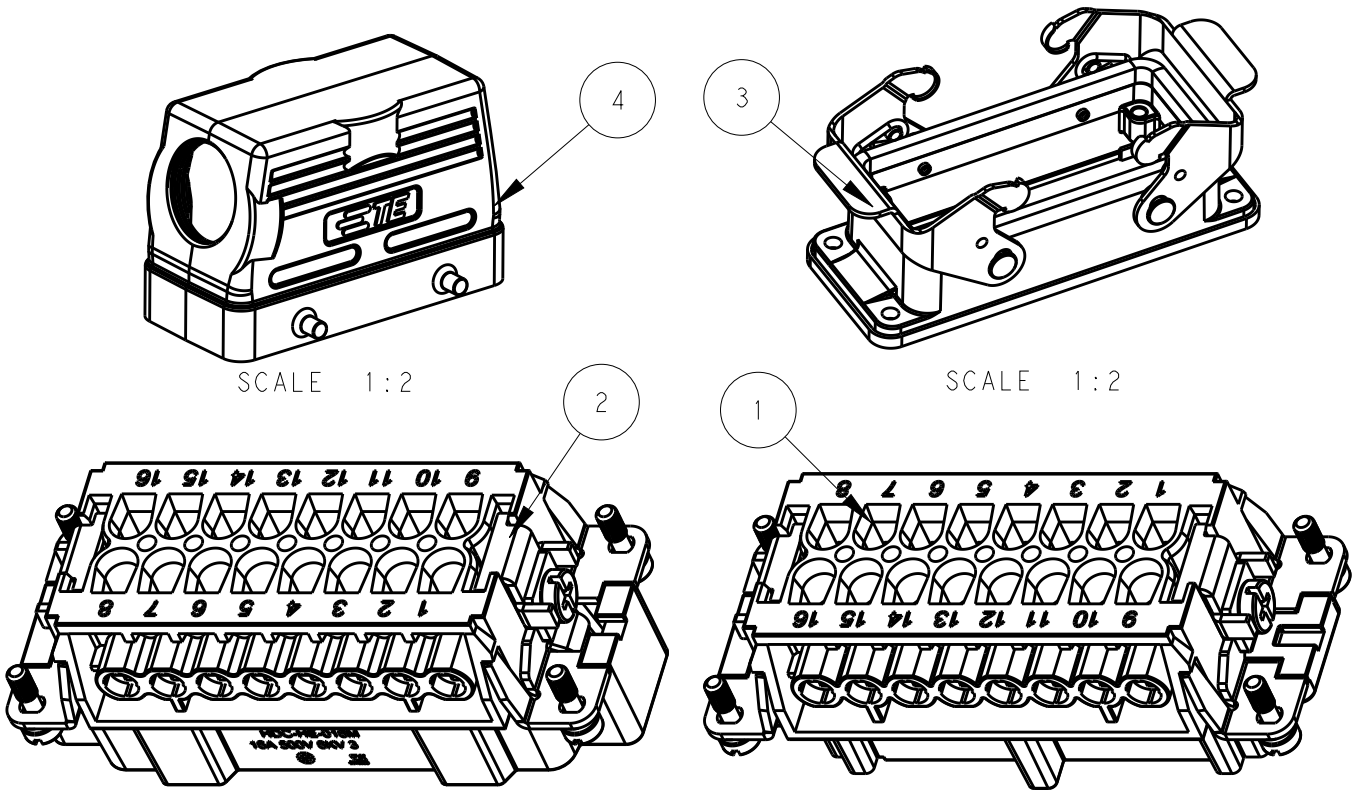



REVISIONS					
P	LTR	DESCRIPTION	DATE	DWN	APVD
	A	INITIAL RELEASE	02SEP2015	DL	CW

NOTES:

- 1 SET OF PRODUCT (K0000000001-000) CONTAIN:  
 1 PC ITEM No.1 (T2040162201-000) AND 1PC ITEM No.2  
 (T2040162101-000) ARE IN ONE BAG WITH ASSEMBLY STAGE;  
 1 PC ITEM No.3 (T1410162000-000) IN ONE BAG;  
 1 PC ITEM No.4 (T1210160121-000) IN ONE BAG;
- 1 SET OF PRODUCT (K0000000001-000) IS PUT IN ONE INNER-BOX;  
 20 INNER-BOXS IN ONE CARTON.



K0000000001-000				
4	T1210160121-000	HOOD	H16B-TS-PG21	1
3	T1410162000-000	HOUSING	H16B-AG	1
2	T2040162101-000	MALE INSERT	HE-016-M	1
1	T2040162201-000	FEMALE INSERT	HE-016-F	1
ITEM No.	PART NUMBER	PART DESCRIPTION	PART TYPE	Q'TY

DIMENSIONS: mm	DWN DAVID LI	02SEP2015	MATERIAL TBD	FINISH -
	CHK CHRIS WANG	02SEP2015	 TE Connectivity	
TOLERANCES UNLESS OTHERWISE SPECIFIED:	APVD XU XIANG	02SEP2015		
	0 PLC ±-	PRODUCT SPEC	-	
1 PLC ±-	APPLICATION SPEC	-		
2 PLC ±-	WEIGHT	-		
3 PLC ±-		SIZE A4	CAGE CODE -	DRAWING NO C-K0000000001000
4 PLC ±-				RESTRICTED TO -
ANGLES ±-				
	CUSTOMER DRAWING		SCALE 1:1	SHEET 1 OF 1
				REV A

20  
 RELEASED FOR PUBLICATION  
 ALL RIGHTS RESERVED.  
 BY -  
 THIS DRAWING IS UNPUBLISHED.  
 COPYRIGHT 20

单击下面可查看定价，库存，交付和生命周期等信息

[>>TE Connectivity\(泰科\)](#)