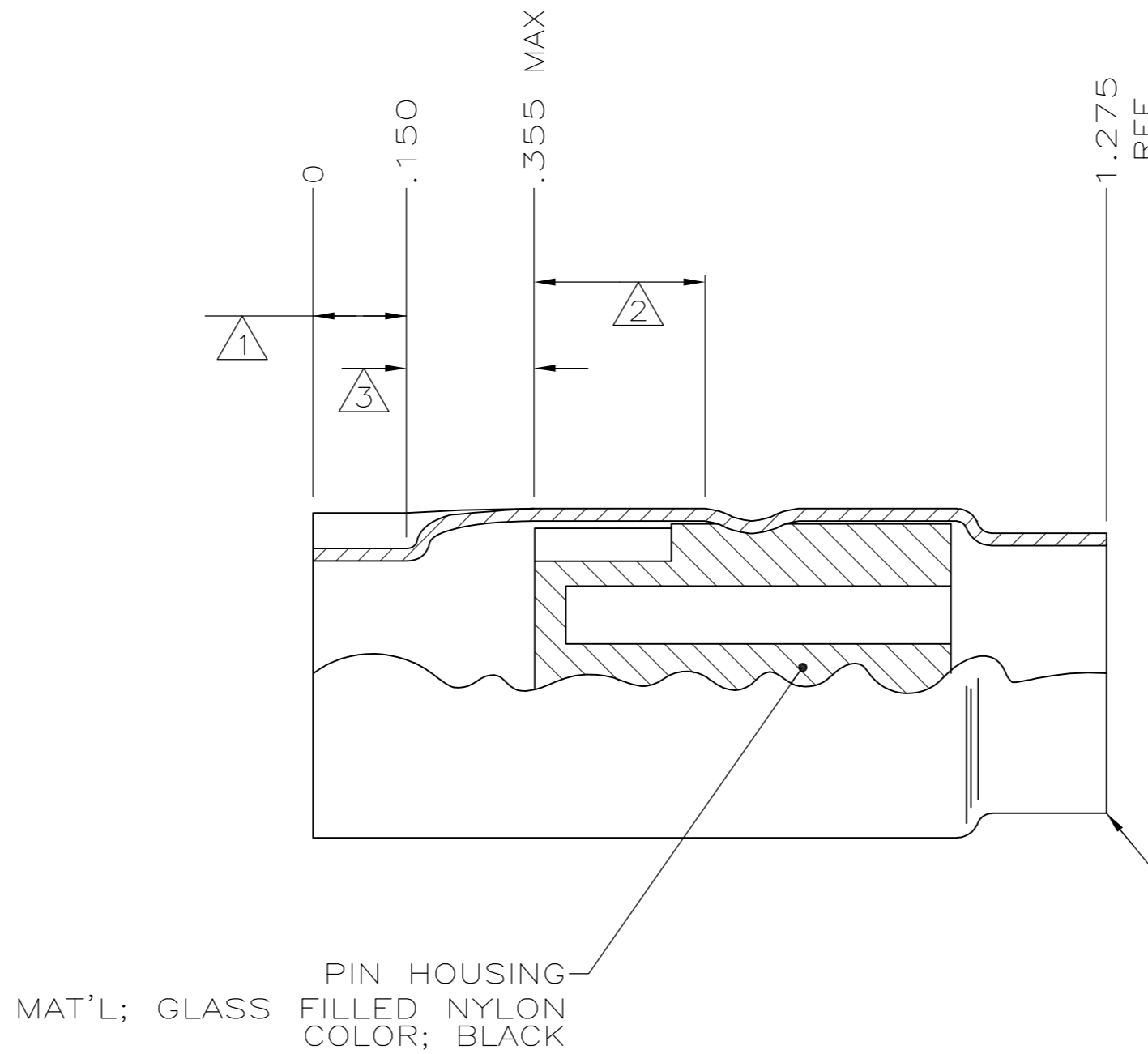
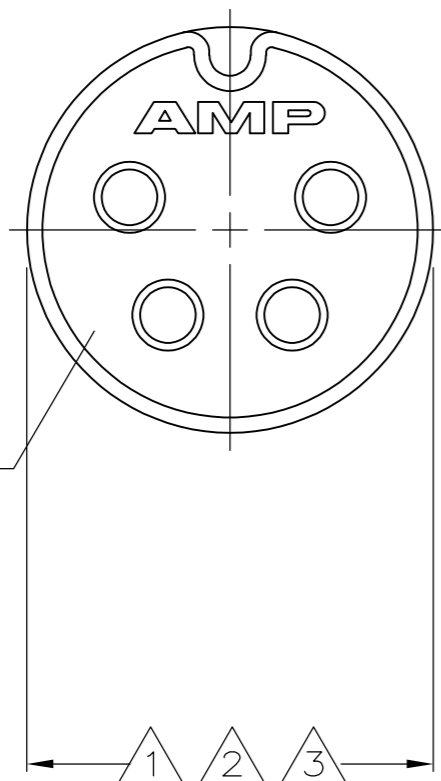


THIS DRAWING IS UNPUBLISHED. RELEASED FOR PUBLICATION
 © COPYRIGHT - By - ALL RIGHTS RESERVED.

LOC		DIST		REVISIONS			
P	LTR	DESCRIPTION	DATE	DWN	APVD		
GP	00	J1	REVISED PER ECO-11-005033	23MAR11	RK	HMR	

4 POSN MATING FACE SHOWN, REF ONLY



- ① SHELL DIAMETER IN THIS AREA TO BE $.529 \pm .005$ MEASURED ANYWHERE EXCEPT OVER KEY.
- ② SHELL DIAMETER IN THIS AREA TO BE $.531 \pm .003$.
- ③ SHELL DIAMETER IN KEY TRANSITION AREA MAY NOT EXCEED $.535$ AT ANY MEASUREMENT POINT.
- ④ TIN-LEAD.
- ⑤ TIN.

PIN HOUSING MAT'L; GLASS FILLED NYLON COLOR; BLACK

SHIELD MAT'L; BRASS FINISH; TIN/PLATE

	⑤	CIRCULAR DIN SUB-ASSEMBLY, 8 POSITION	9-212437-2
	⑤	CIRCULAR DIN SUB-ASSEMBLY, 6 POSITION	9-212437-1
	⑤	CIRCULAR DIN SUB-ASSEMBLY, 5 POSITION	9-212437-0
	⑤	CIRCULAR DIN SUB-ASSEMBLY, 4 POSITION	212437-7
OBSOLETE	④	CIRCULAR DIN SUB-ASSEMBLY, 8 POSITION	212437-6
OBSOLETE	④	CIRCULAR DIN SUB-ASSEMBLY, 7 POSITION	212437-5
OBSOLETE	④	CIRCULAR DIN SUB-ASSEMBLY, 6 POSITION	212437-4
OBSOLETE	④	CIRCULAR DIN SUB-ASSEMBLY, 5 POSITION	212437-3
OBSOLETE	④	CIRCULAR DIN SUB-ASSEMBLY, 4 POSITION	212437-2
OBSOLETE	④	CIRCULAR DIN SUB-ASSEMBLY, 3 POSITION	212437-1

SHIELD FINISH	DESCRIPTION	PART NUMBER
---------------	-------------	-------------

THIS DRAWING IS A CONTROLLED DOCUMENT.		DWN L. Varela - Dock5 11-10-05	TE TE Connectivity	
DIMENSIONS: INCHES		CHK C. ROHDE 11-10-05		
TOLERANCES UNLESS OTHERWISE SPECIFIED:		APVD M. WALMSLEY 11-10-05	NAME CIRCULAR DIN PLUG, SUB-ASSEMBLY	
0 PLC ± -		PRODUCT SPEC	SIZE A2	
1 PLC ± -		APPLICATION SPEC	CAGE CODE 00779	DRAWING NO C-212437
2 PLC ± -		WEIGHT -	RESTRICTED TO -	SCALE 1:1
3 PLC ± .010		CUSTOMER DRAWING	SHEET 1 of 1	REV J1
4 PLC ± -				
ANGLES ± -				
FINISH SEE TABLE				

单击下面可查看定价，库存，交付和生命周期等信息

[>>TE Connectivity\(泰科\)](#)