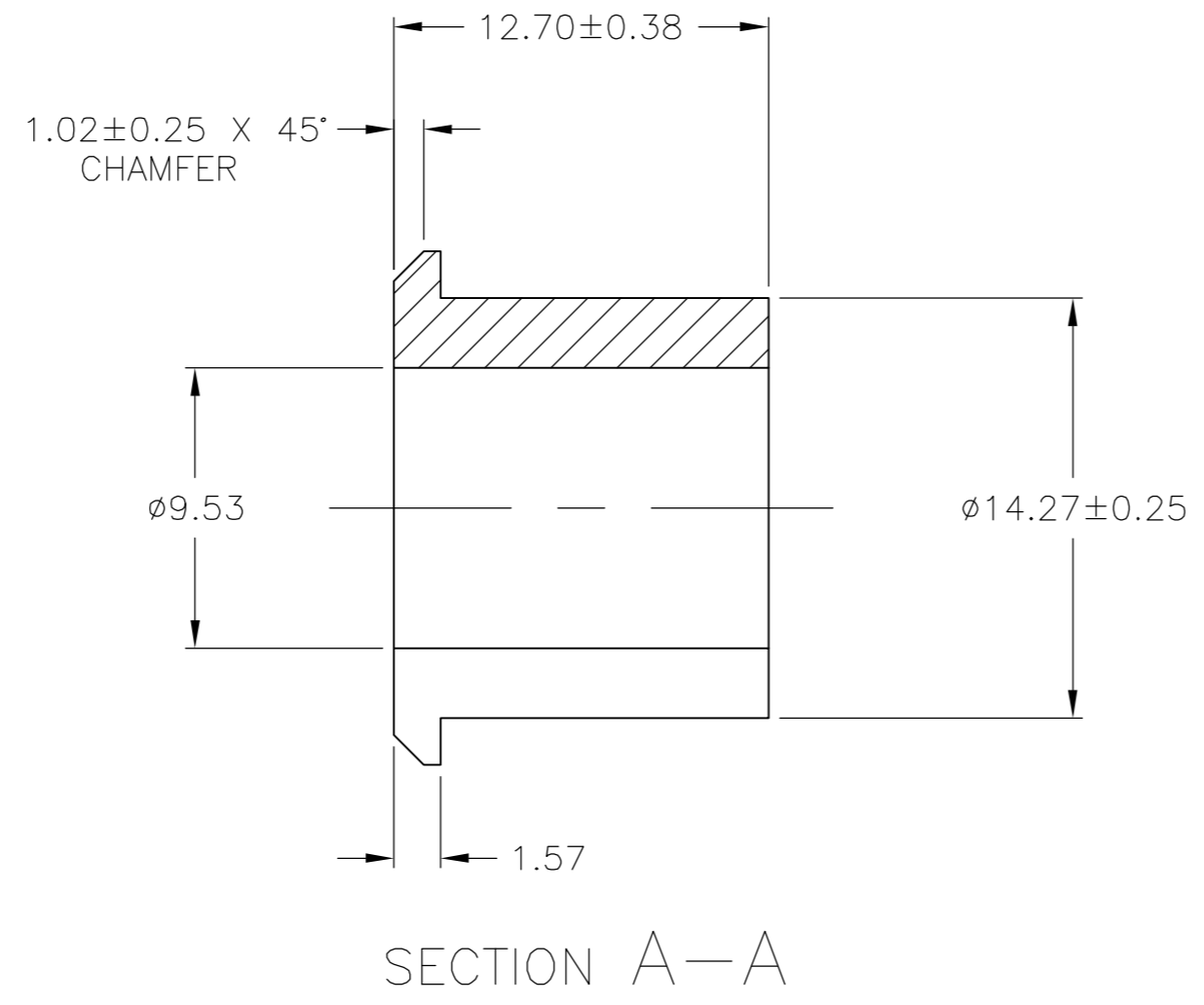
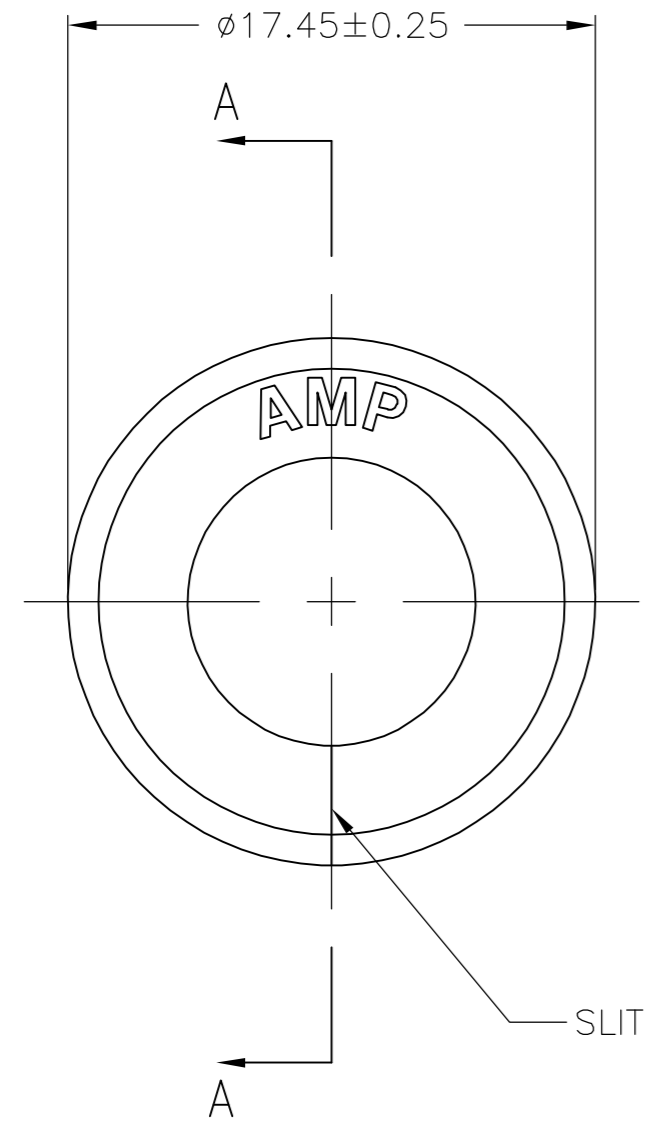
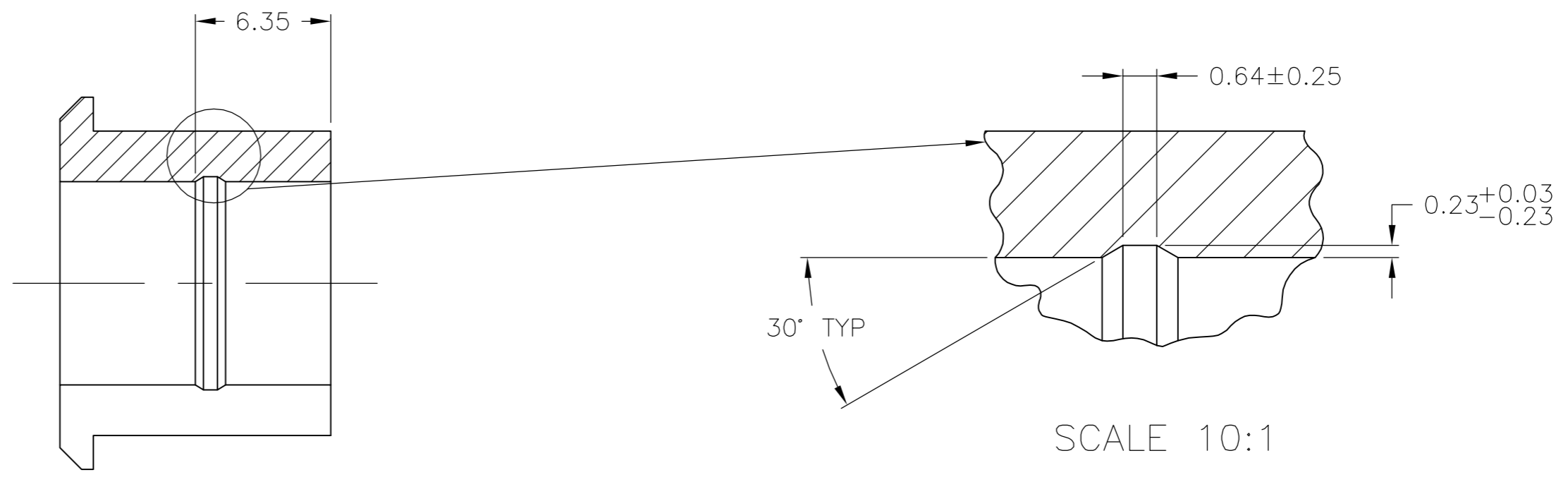
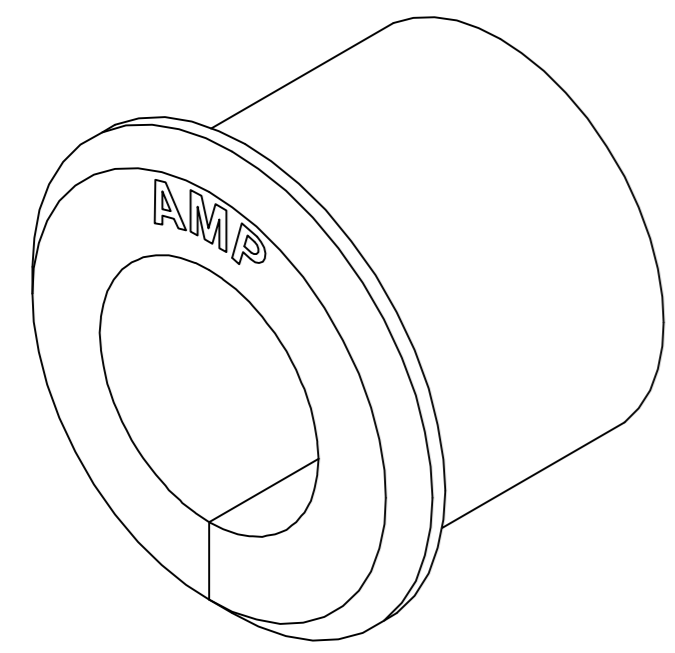


THIS DRAWING IS UNPUBLISHED. RELEASED FOR PUBLICATION
 © COPYRIGHT BY TYCO ELECTRONICS CORPORATION. ALL RIGHTS RESERVED.

LOC		DIST		REVISIONS			
P	LTR	DESCRIPTION	DATE	DWN	APVD		
G		ECO-06-012706	09JUN06	BSV	JR		



- 1. USE WITH STRAIN RELIEF 480594.
- 2. MOLDING COMPOUND PVC, FLEXIBLE, 55/75 DUROMETER (B SCALE), BLACK.
- 3. MOLDING COMPOUND PVC, FLEXIBLE, BLACK.



SECTION A-A
OPTIONAL CONSTRUCTION

3-DIMENSIONAL MODEL
NTS

SUPERCEDED BY 2-380936-0	3	2-380936-0
	2	1-380936-0
	MATERIAL	PART NUMBER

MM	IN	MM	IN	MM	IN
0.38	.015	9.53	.375	-	-
0.25	.010	6.35	.250	-	-
0.23	.009	1.57	.062	17.45	.687
0.13	.005	1.02	.040	14.27	.562
0.03	.001	0.64	.025	12.70	.500

CONVERSION TABLE

METRIC

THIS DRAWING IS A CONTROLLED DOCUMENT.

DIMENSIONS: mm	TOLERANCES UNLESS OTHERWISE SPECIFIED:	DWN K. WHITAKER 24MAR06	Tyco Electronics Corporation Harrisburg, Pa 17105-3608
	0 PLC ± -	CHK C. JONES 24MAR06	
	1 PLC ± -	APVD C. JONES 24MAR06	
	2 PLC ± -	NAME	
	3 PLC ± 0.13	PRODUCT SPEC	GROMMET,SPLIT,M.R.
	4 PLC ± -	APPLICATION SPEC	
	ANGLES ± 1'0"		SIZE A2 CAGE CODE 00779 DRAWING NO C=380936
MATERIAL SEE TABLE	FINISH -	WEIGHT -	RESTRICTED TO -
		CUSTOMER DRAWING	SCALE 4:1 SHEET 1 OF 1 REV G

单击下面可查看定价，库存，交付和生命周期等信息

[>>TE Connectivity\(泰科\)](#)