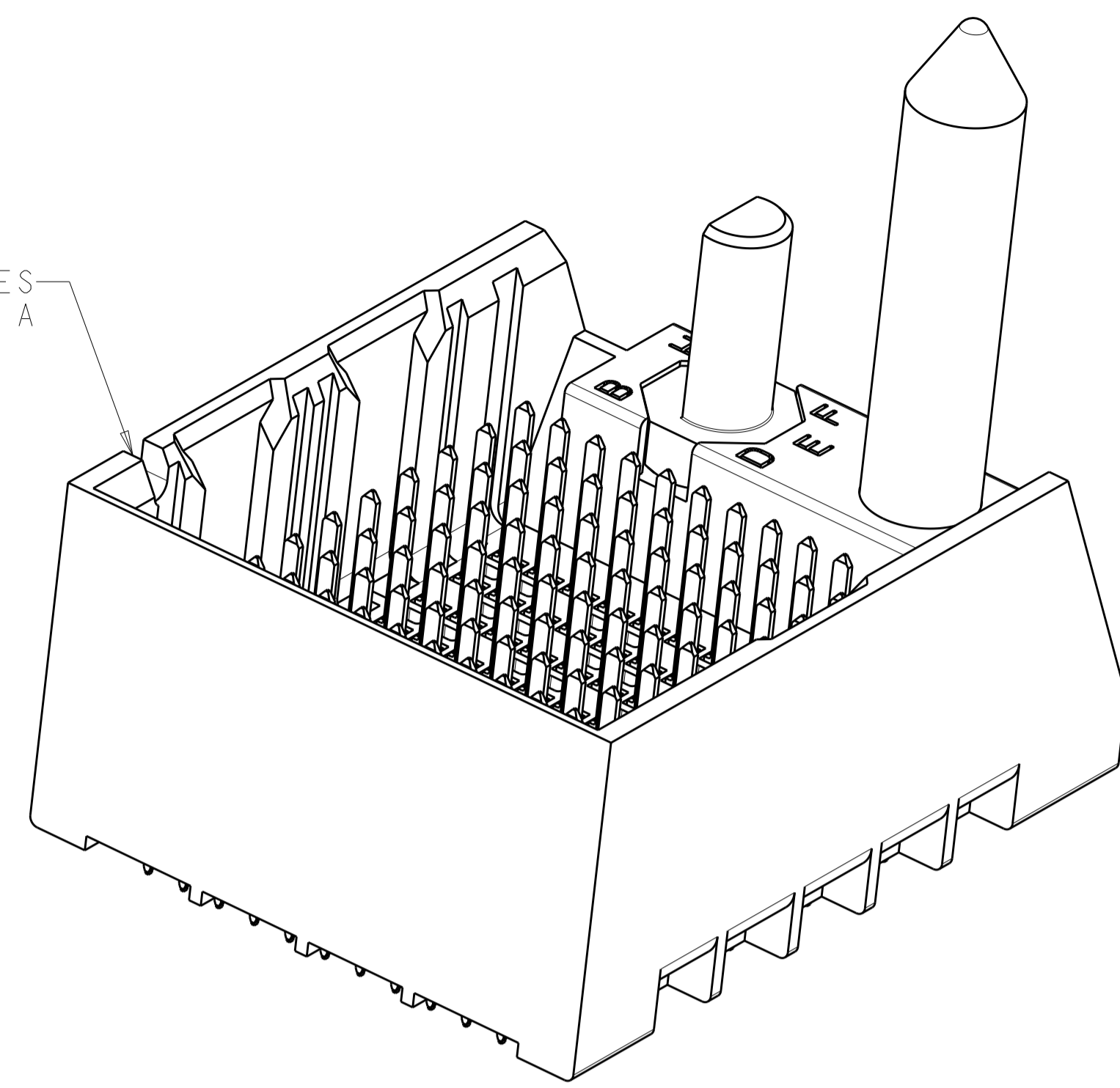
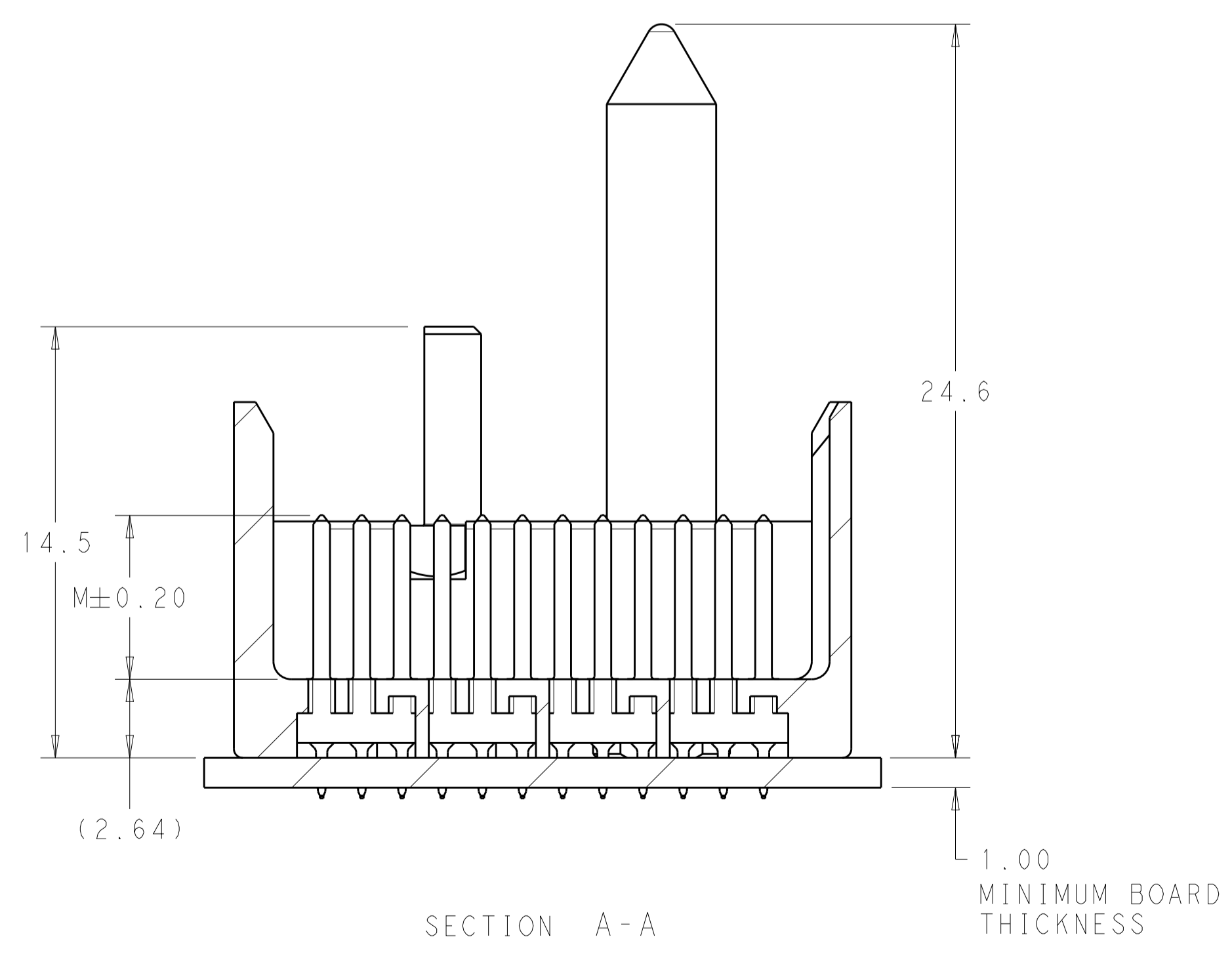
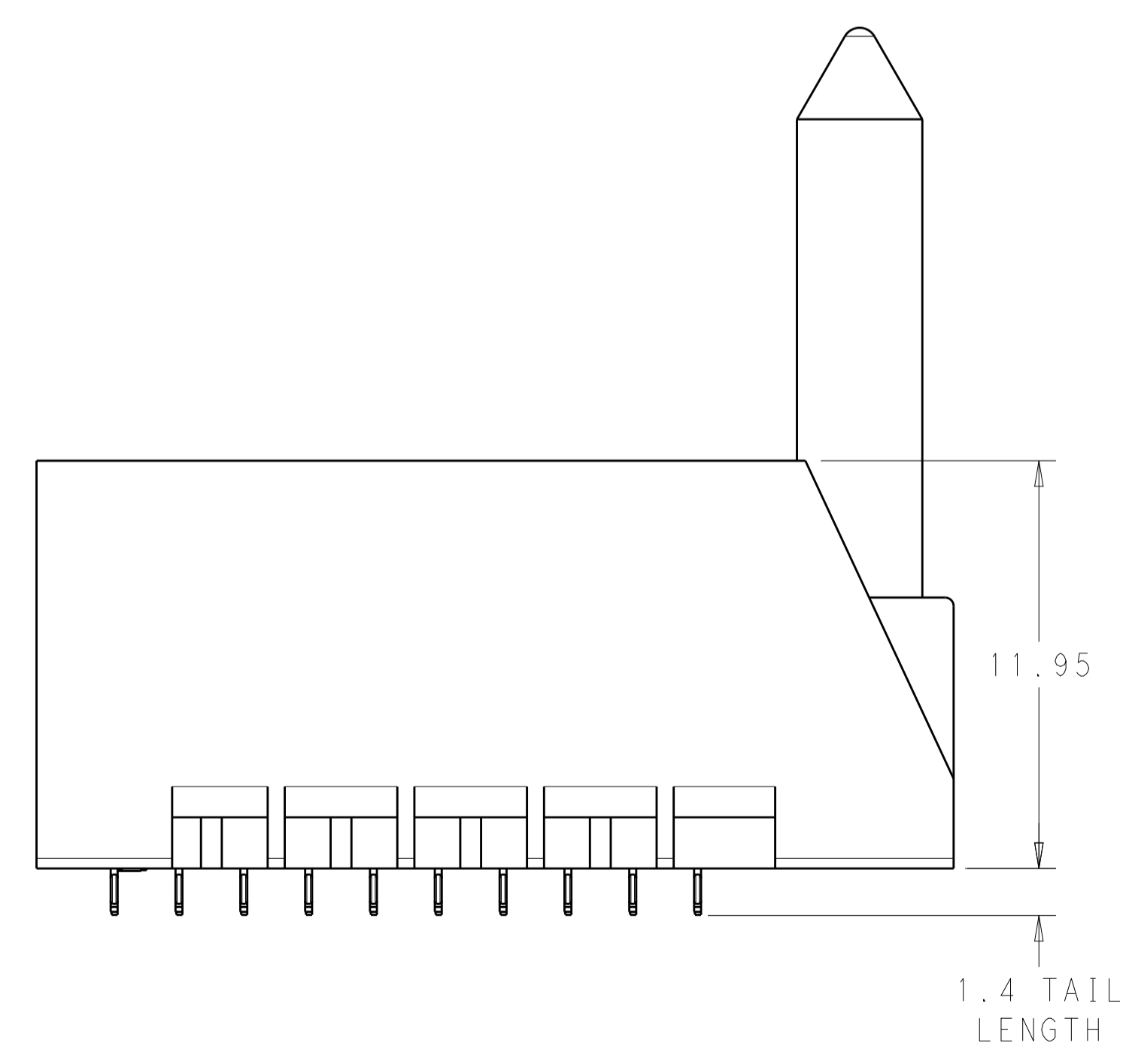
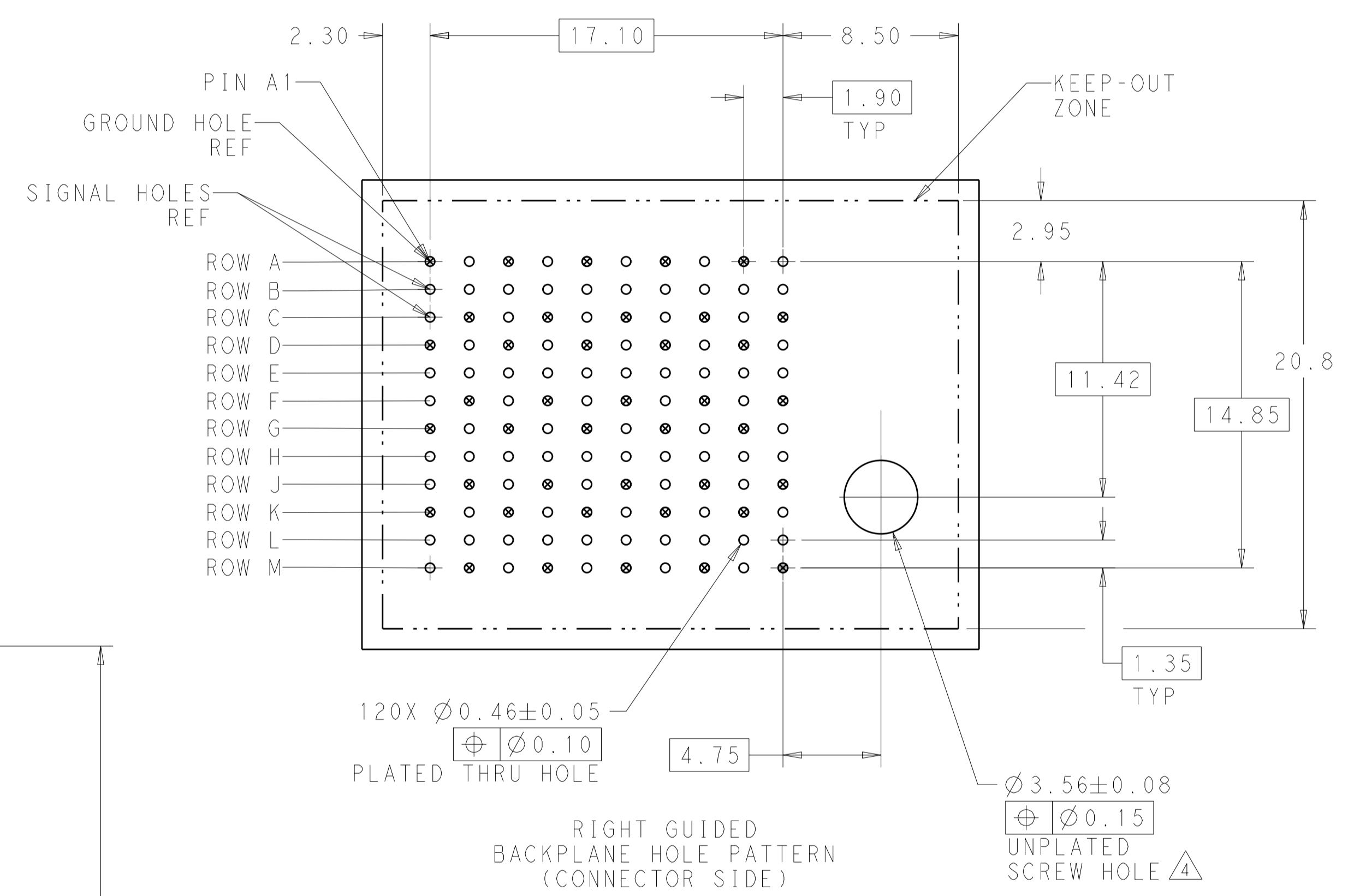
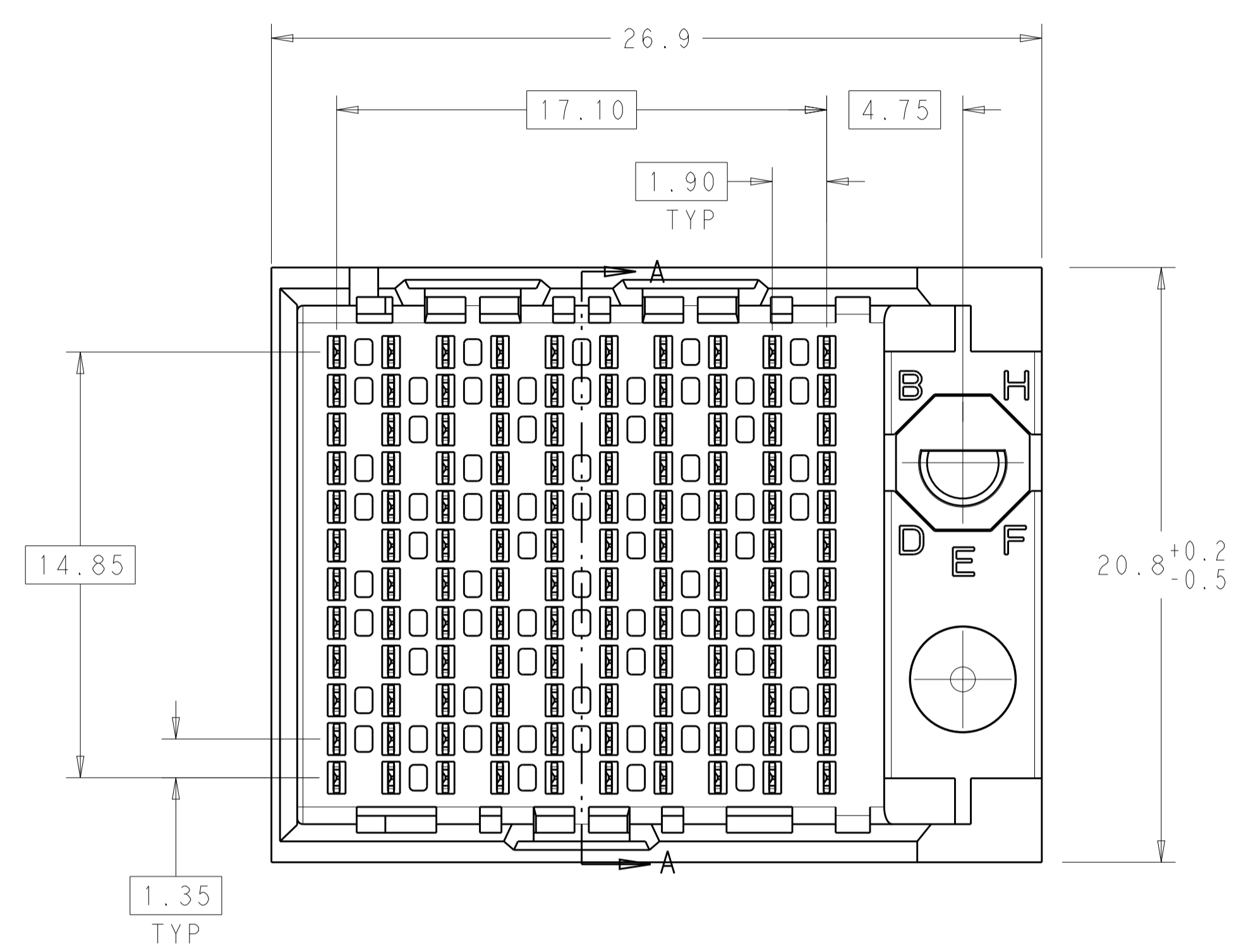


REVISIONS				
P.	LTN	DESCRIPTION	DATE	OWN APVD
B1		REV PER ECO-15-001494	02FEB2015	AP DD

NOTCH DESIGNATES ROW A



- △ MATERIAL:
HOUSING: LCP, GLASS FILLED, UL94V-0.
TERMINALS: HIGH PERFORMANCE COPPER ALLOY.
- △ FINISH:
30μ" MIN GOLD IN CONTACT AREA. SELECTIVE TIN ON PCB TAILS, NICKEL OVERALL.
- 3. SCREWS PACKAGED IN END OF PACKAGING TUBE.
- △ FOR GROUNDED GUIDE PIN USE $\varnothing 3.56 \pm 0.08$ PTH, $\varnothing 3.66$ DRILL, AND $\varnothing 6.5$ PAD.
- 5. KEYING PIN SHOWN IN POSITION A, SEE KEYING CHART ON SHEET 2 FOR OTHER POSITIONS.



THIS DRAWING IS A CONTROLLED DOCUMENT.		OWN J. K. SHOBER 03JAN2011	TE Connectivity
DIMENSIONS: mm		CHK J. EARY 03JAN2011	
TOLERANCES UNLESS OTHERWISE SPECIFIED:		APVD J. EARY 03JAN2011	NAME
0 PLC	±	PRODUCT SPEC	IMPACT, 4 PAIR, 10 COLUMN, HEADER
1 PLC	±0.25	APPLICATION SPEC	RIGHT GUIDED, LEFT END WALL
2 PLC	±0.13	SIZE	SIGNAL MODULE, 0.46 PTH
3 PLC	±	WEIGHT	
4 PLC	±	CAGE CODE	A100779C=2007814
ANGLES	±	DRAWING NO	
MATERIAL	SEE TABLE	CUSTOMER DRAWING	RESTRICTED TO
FINISH		SCALE	6:1
		SHEET	1 OF 2
		REV	B1

REVISIONS				
P.	LTN	DESCRIPTION	DATE	OWN APVD
-	-	SEE SHEET 1	-	-



	H	5.5	8-2007814-3
	H	4.9	8-2007814-2
	H	4.5	8-2007814-1
	G	5.5	7-2007814-3
	G	4.9	7-2007814-2
	G	4.5	7-2007814-1
	F	5.5	6-2007814-3
	F	4.9	6-2007814-2
	F	4.5	6-2007814-1
	E	5.5	5-2007814-3
	E	4.9	5-2007814-2
	E	4.5	5-2007814-1
	D	5.5	4-2007814-3
	D	4.9	4-2007814-2
	D	4.5	4-2007814-1
	C	5.5	3-2007814-3
	C	4.9	3-2007814-2
	C	4.5	3-2007814-1
	B	5.5	2-2007814-3
	B	4.9	2-2007814-2
	B	4.5	2-2007814-1
	A	5.5	1-2007814-3
	A	4.9	1-2007814-2
	A	4.5	1-2007814-1
	-	5.5	2007814-3
	-	4.9	2007814-2
	-	4.5	2007814-1
FINISH	KEY POSITION	DIM M	PART NUMBER

REFER TO WWW.TE.COM
FOR PRODUCT AVAILABILITY

THIS DRAWING IS A CONTROLLED DOCUMENT.		OWN J. K. SHOBER 03JAN2011	TE Connectivity
DIMENSIONS: mm		CHK J. EARY 03JAN2011	
TOLERANCES UNLESS OTHERWISE SPECIFIED:		APVD J. EARY 03JAN2011	NAME: IMPACT, 4 PAIR, 10 COLUMN, HEADER RIGHT GUIDED, LEFT END WALL SIGNAL MODULE, 0.46 PTH SIZE: CAGE CODE DRAWING NO: A100779C=2007814 RESTRICTED TO:
0 PLC ±0.25 2 PLC ±0.13 3 PLC ± 4 PLC ± ANGLES ± FINISH ±		PRODUCT SPEC	
MATERIAL: SEE TABLE		APPLICATION SPEC	
WEIGHT: CUSTOMER DRAWING		SCALE: 5:1	SHEET 2 OF 2

单击下面可查看定价，库存，交付和生命周期等信息

[>>TE Connectivity\(泰科\)](#)