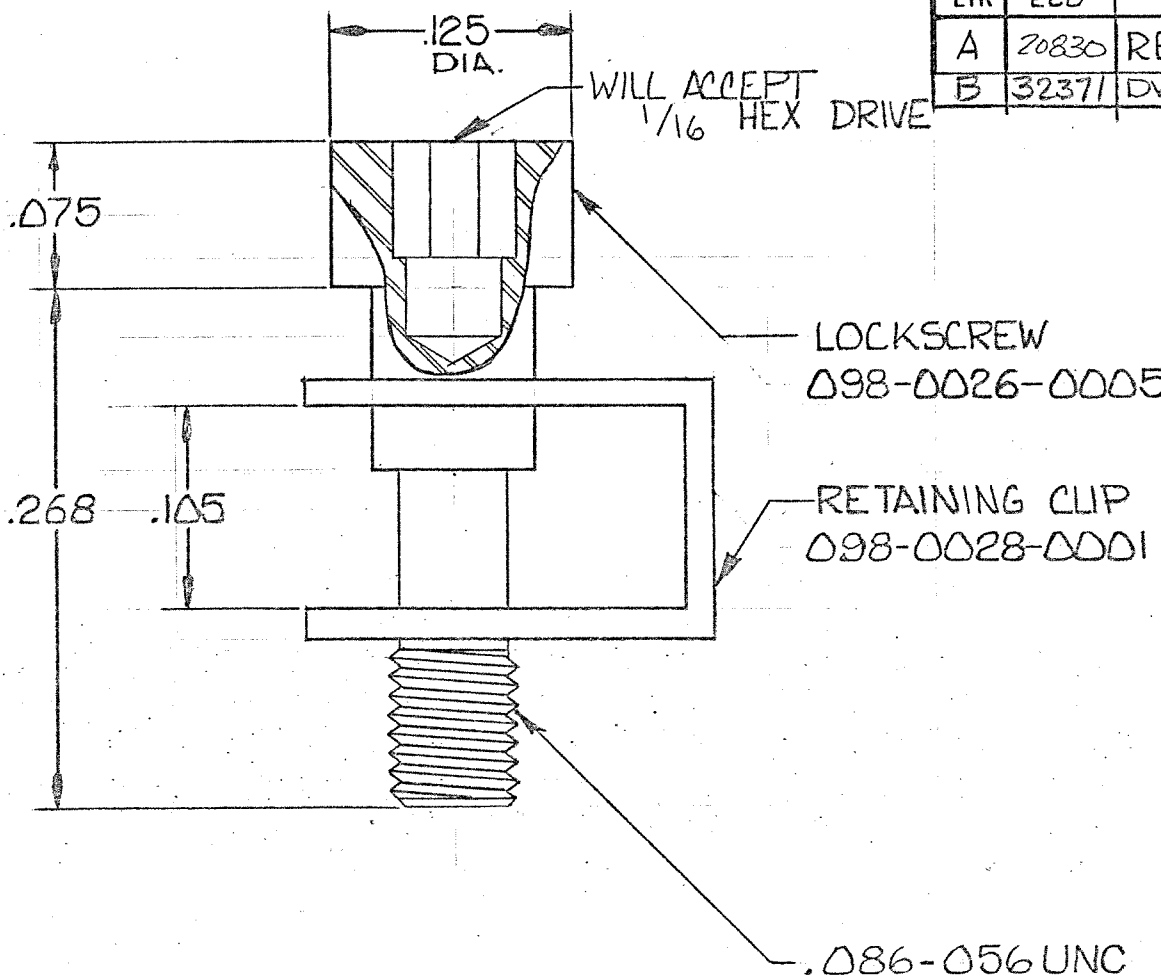



REVISIONS				
LTR	ECO	DESCRIPTION	DATE	APPROVED
A	20830	RELEASED 2-9-76 DWH	3-30-76	<i>MD</i>
B	32371	DWG. WAS CD.	09/10/18	<i>LB</i>



Tyco Dwg 1495164
Micro P/N 096-0002-0013

UNLESS OTHERWISE SPECIFIED DIMENSIONS ARE IN INCHES TOLERANCES ARE: FRACTIONS DECIMALS ANGLES ± .XX ± .02 ± .XXX ± .010	CONTRACT NO.		 MALCO A MICRODOT COMPANY, INC. 220 PASADENA AVE., SO. PASADENA, CALIF. 91030	PROD. CODE <i>834</i> CODE CDM
	APPROVALS	DATE		
	DRAWN <i>DAVID HOOPER</i>	2-9-76		
	CHECKED <i>MD</i>	3-29-76		
MATERIAL	CHECKED <i>M. JARROWSKI</i>	3-29-76	LOCKSCREW ASSEMBLY (ALLEN HEAD)	
FINISH	These drawings and specifications are the property of Microdot Inc., are issued in strict confidence and shall not be divulged, be reproduced or copied, or used as the basis for the manufacture or sale of any article without written permission of Microdot Inc.		SIZE A	CODE IDENT NO. 98278
USED ON	DRAWING NO.		DRAWING NO. 096-0002-0013	
APPLICATION	DO NOT SCALE DRAWING		SCALE	NONE SHEET 1 OF 1

单击下面可查看定价，库存，交付和生命周期等信息

[>>TE Connectivity\(泰科\)](#)