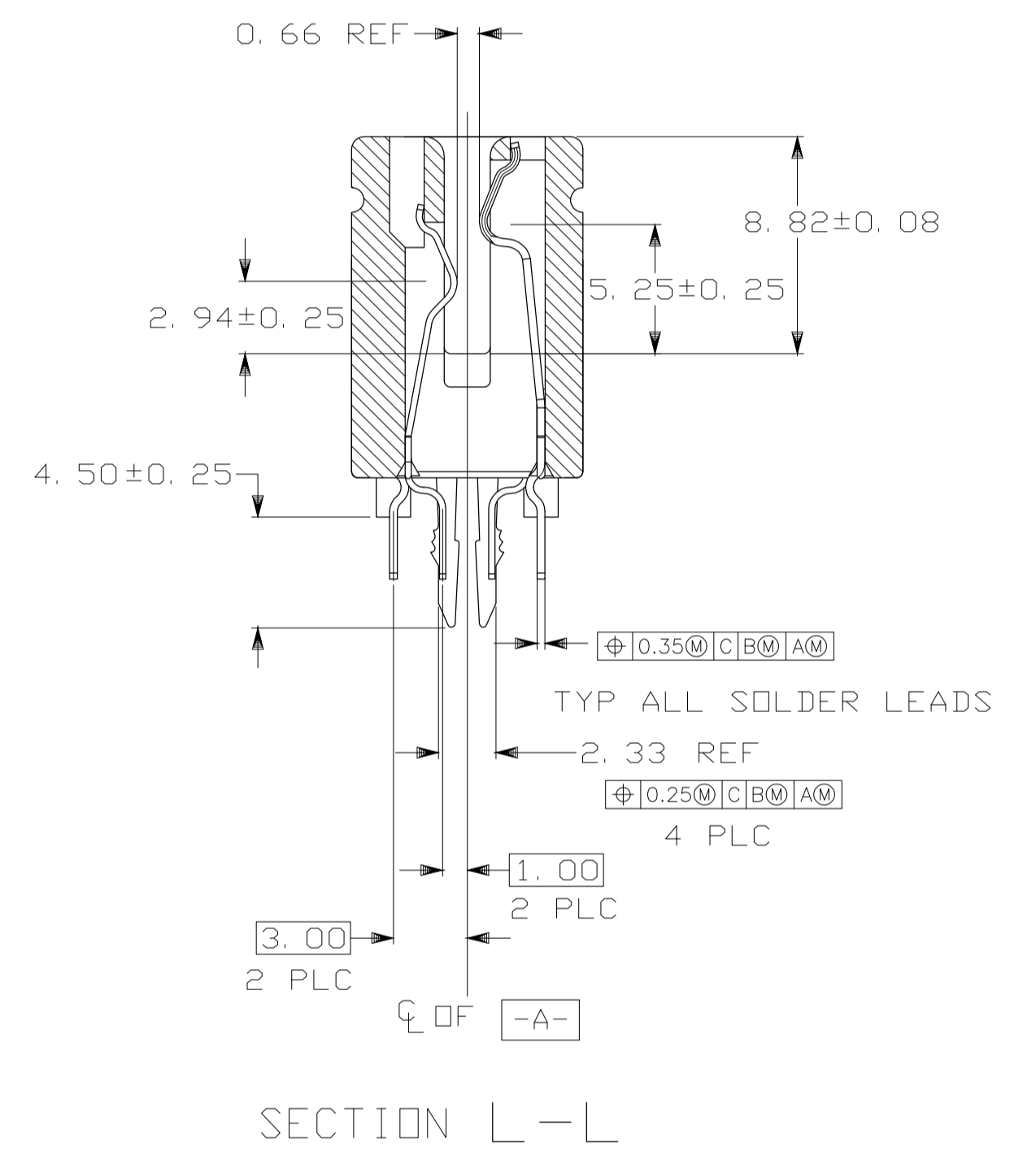
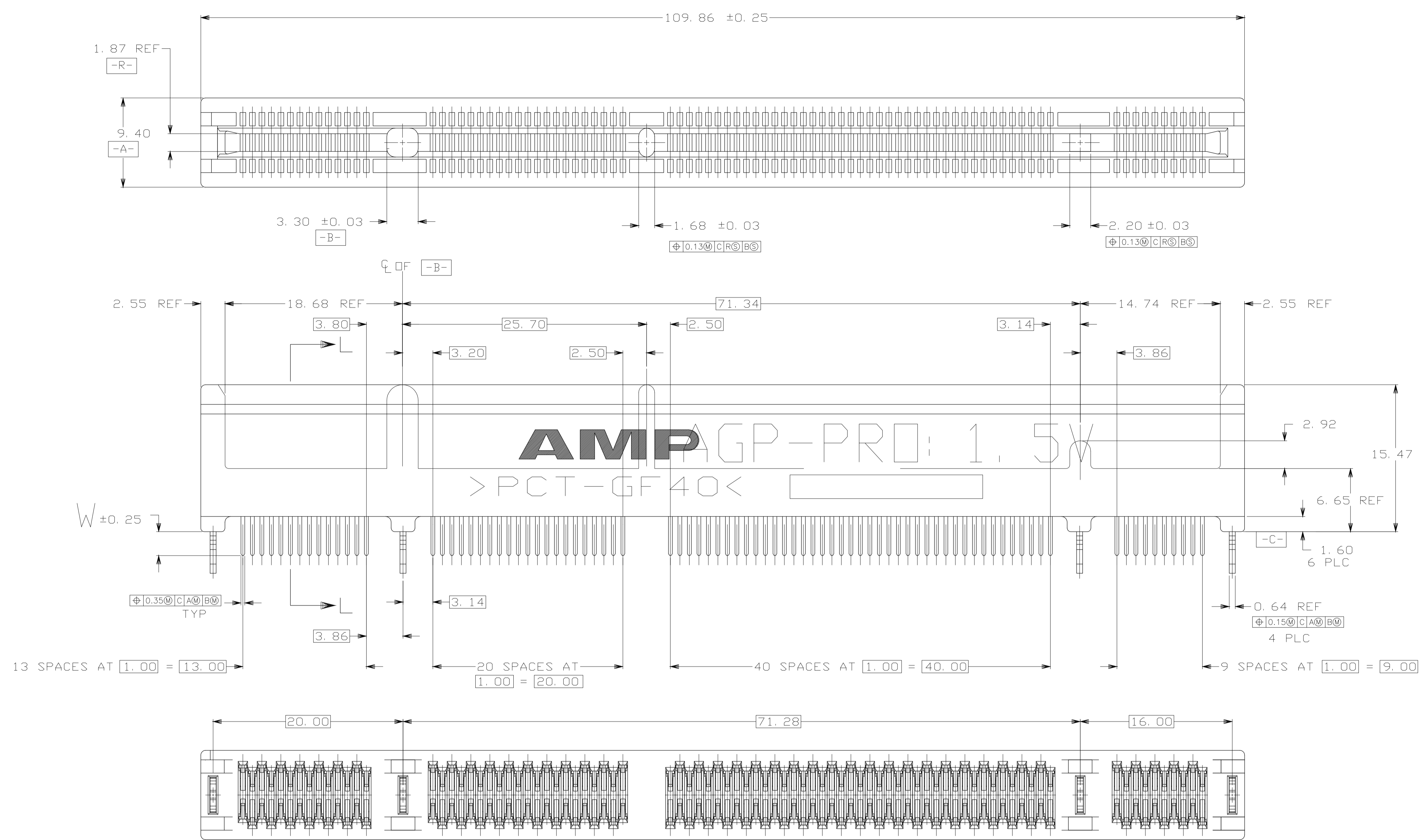


LOC		DIST		REVISIONS			
P	LTR	DESCRIPTION	DATE	DMN	APVD		
0		RELEASED ECR-05-003216	07MAR05	G.Z.	I.E.		
01		REVISED PER ECO-09-024927	21JAN10	KK	HMR		



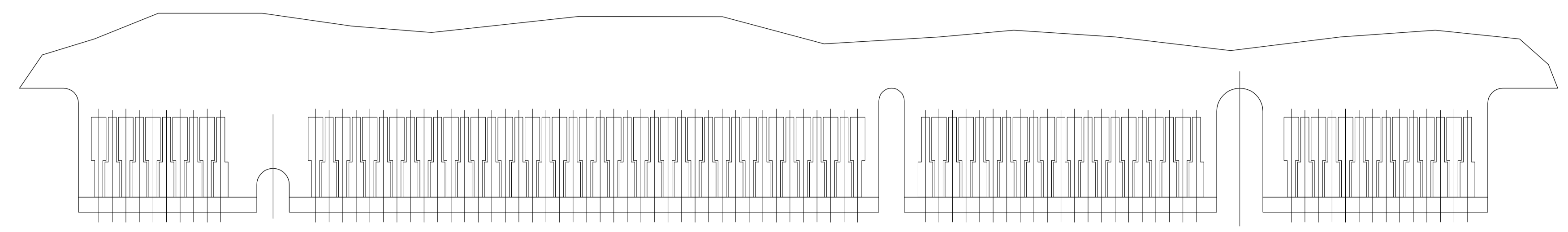
- △ MATERIAL: HOUSING, THERMOPLASTIC, COLOR: BROWN.  
CONTACTS, PHOSPHOR BRONZE.  
FASTENERS, BRASS.
- △ FINISH: CONTACTS, 1.27 MIN. MICROMETERS NICKEL ALL OVER,  
0.38 MIN. MICROMETERS GOLD OVER NICKEL IN CONTACT AREA,  
2.54 MIN MICROMETERS TIN OVER NICKEL ON SOLDER LEADS.  
FASTENERS, 1.27 MIN. MICROMETERS NICKEL ALL OVER,  
3.81 MIN MICROMETERS BRIGHT TIN OVER NICKEL.
- △ FINISH: CONTACTS, 1.27 MIN. MICROMETERS NICKEL ALL OVER,  
0.0254-0.0762 MICROMETERS GOLD OVER NICKEL IN CONTACT AREA.  
2.54 MIN. MICROMETERS TIN OVER NICKEL ON SOLDER TAILS.
- △ OBSOLETE PARTS: OBSOLETE CIS STREAMLINING PER D. RENAUD/D. SINISI

△ OBSOLETE	△	3.18	5145410-6
△ OBSOLETE	△	2.54	5145410-5
△ OBSOLETE	△	2.54	5145410-2
△ OBSOLETE	△	2.16	5145410-1
	PLATING	W	PART NO

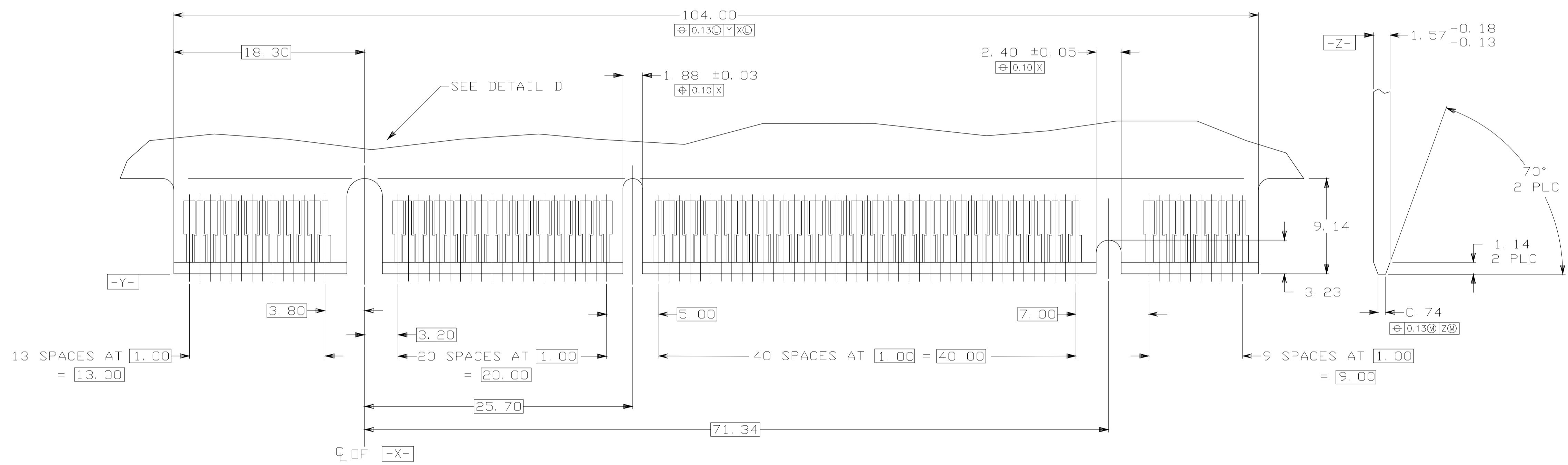
THIS DRAWING IS A CONTROLLED DOCUMENT.

DMN	07MAR05	Tyco Electronics Corporation	
CHK	07MAR05	Shanghai, P.R.China, 200233	
APVD	07MAR05	NAME	
DIMENSIONS: mm		PRODUCT SPEC	
TOLERANCES UNLESS OTHERWISE SPECIFIED:		APPLICATION SPEC	
0 PLC	± -	SIZE	CAGE CODE DRAWING NO
1 PLC	± -	WEIGHT	A1 00779 C=5145410
2 PLC	± 0.13	CUSTOMER DRAWING	
3 PLC	± -	SCALE	1:1
4 PLC	± -	SHEET	1 OF 2
ANGLES	± °	REV	01

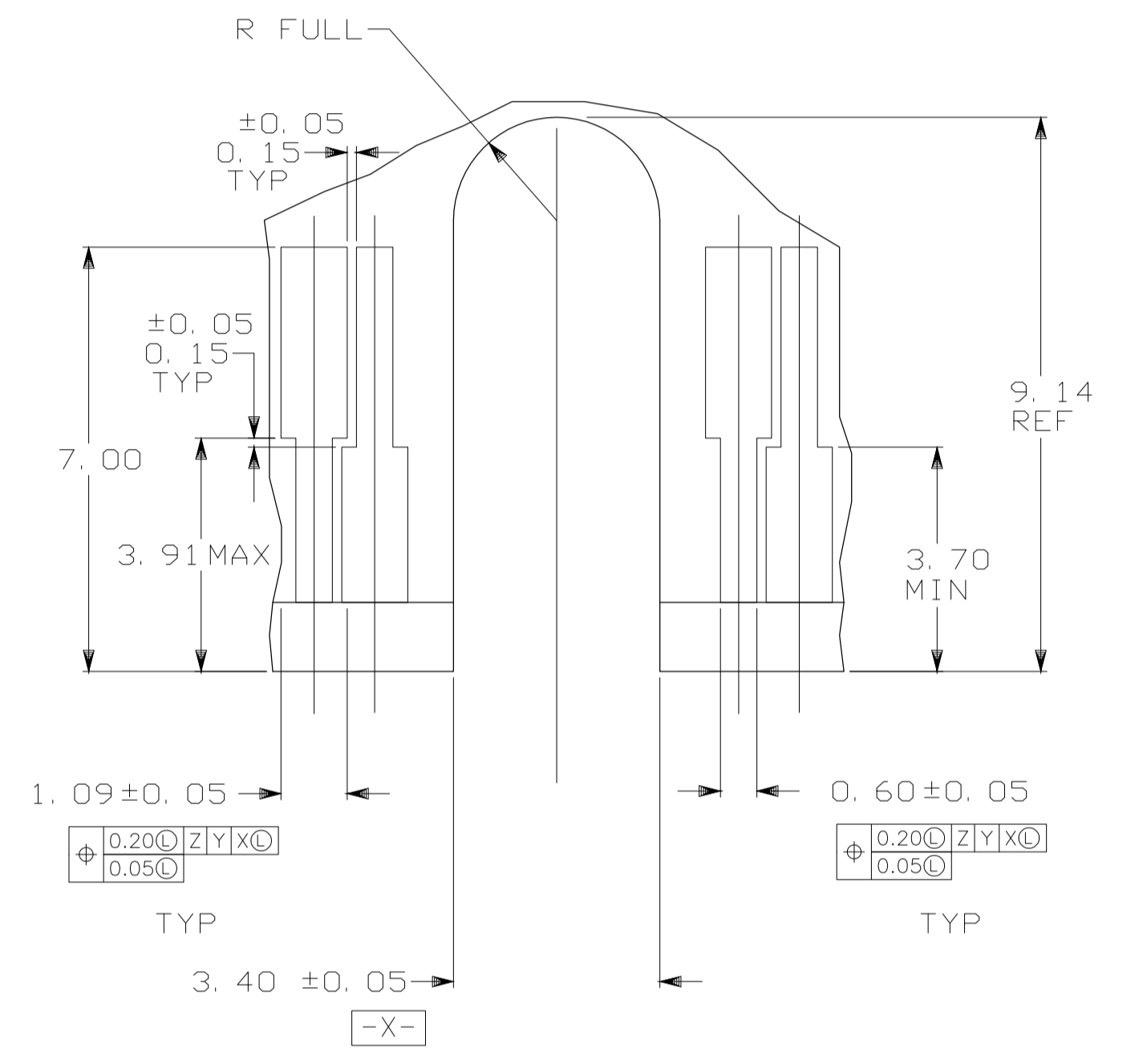
LOC		DIST		REVISIONS			
P	LTR	DESCRIPTION	DATE	DNW	APVD		
-	-	SEE SHEET 1/2	-	-	-	-	-



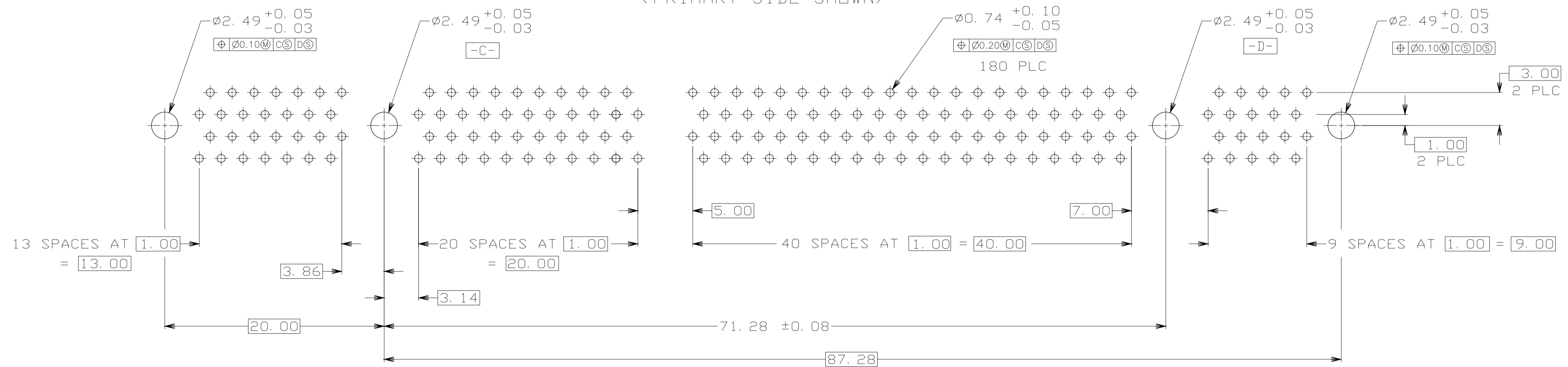
RECOMMENDED CONNECTOR MATING PAD PATTERN  
 (SECONDARY SIDE SHOWN)



RECOMMENDED CONNECTOR MATING PAD PATTERN  
 (PRIMARY SIDE SHOWN)



DETAIL D  
 SCALE 10:1



RECOMMENDED CONNECTOR MOUNTING HOLE PATTERN  
 (CONNECTOR SIDE SHOWN)

THIS DRAWING IS A CONTROLLED DOCUMENT.		DIN Gavin Zhang 24MAR05		Tyco Electronics Corporation Shanghai, P.R.China, 200233	
DIMENSIONS: mm		CHK Steven Yao 24MAR05		Tyco Electronics	
TOLERANCES UNLESS OTHERWISE SPECIFIED:		APVD J Enomoto 24MAR05		NAME CONNECTOR ASSEMBLY, STANDARD EDGE, 1mm, AGP-PRO:1.5V, 180 POSITION	
0 PLC ± -		SIZE A1		CAGE CODE 00779	
1 PLC ± -		DRAWING NO 5145410		RESTRICTED TO	
2 PLC ± 0.13		WEIGHT -		SCALE 4:1	
3 PLC ± -		CUSTOMER DRAWING		SHEET 2 OF 2	
4 PLC ± -		SCALE 4:1		REV 01	
ANGLES ± °		SCALE 4:1		REV 01	

单击下面可查看定价，库存，交付和生命周期等信息

[>>TE Connectivity\(泰科\)](#)