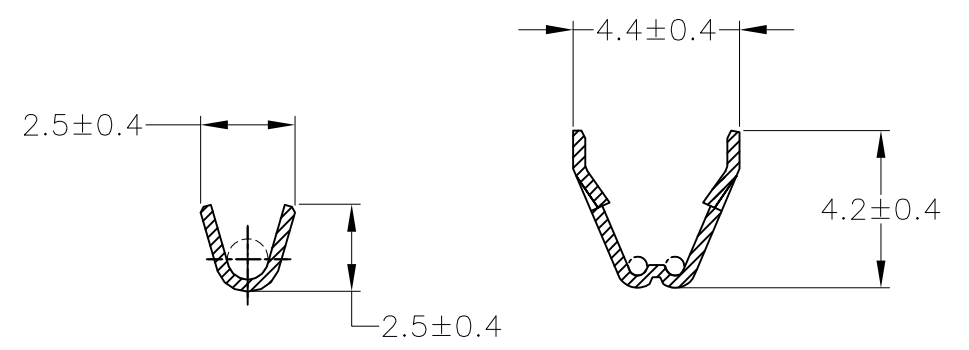
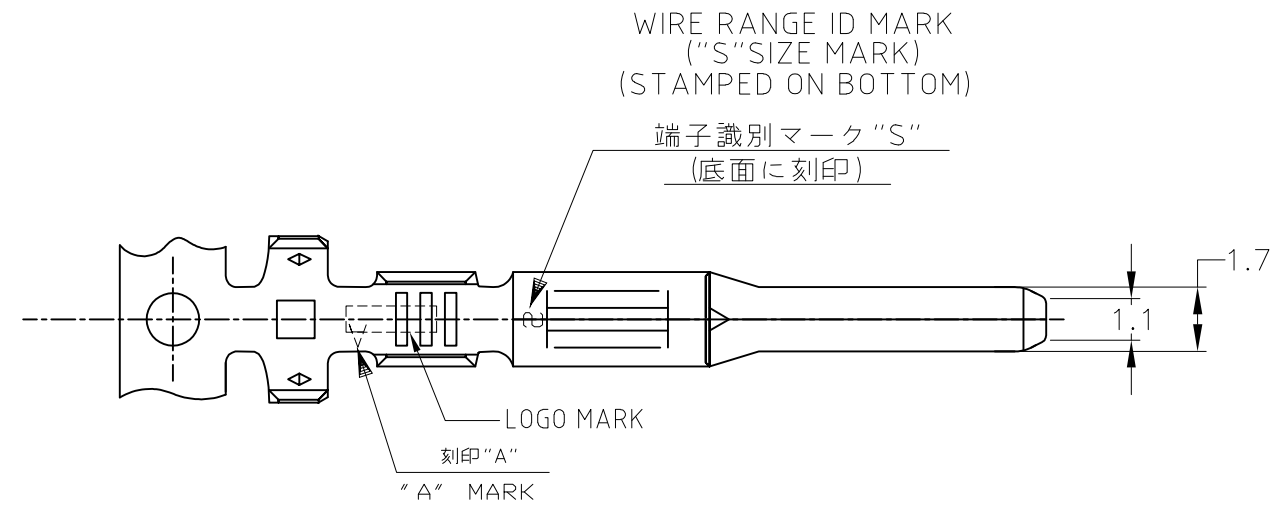


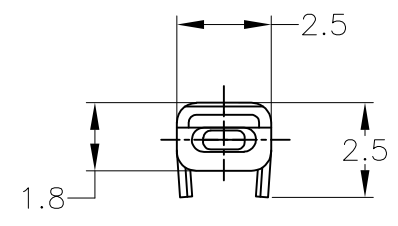
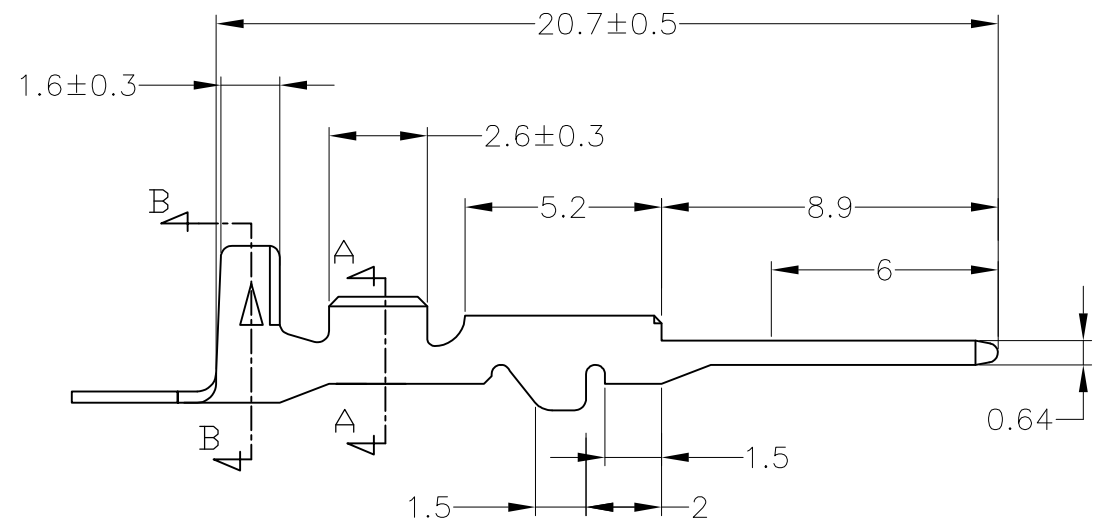
THIS DRAWING IS UNPUBLISHED. RELEASED FOR PUBLICATION JAN , 2018.
 © COPYRIGHT 2018 TE Connectivity ALL RIGHTS RESERVED.

P	LTR	DESCRIPTION	DATE	DWN	APVD
	B	REVISED	ECR-17-012605	25JAN2018	YN TK



SECT A-A

SECT B-B



- 1. 製品規格: 108-5264
- 1. SPEC: 108-5264

錫めっき済 PRE-TINNED	黄銅 板厚0.32 BRASS t0.32	175188-1
仕上 FINISH	材料 MATERIAL	型番 PART NUMBER

WIRE RANGE AVS 0.2~0.3mm ² (AWG #24-#22)	INSULATION DIA 1.4~1.9mmφ
TOLERANCES UNLESS OTHERWISE SPECIFIED: 一般公差 0 < x < 10: ±0.2 10 < x < 30: ±0.25 30 < x < 100: ±0.3 ANGLE: ±3°	

THIS DRAWING IS A CONTROLLED DOCUMENT.	
DIMENSIONS: mm	TOLERANCES UNLESS OTHERWISE SPECIFIED:
	0 PLC ± - 1 PLC ± - 2 PLC ± - 3 PLC ± - 4 PLC ± - ANGLES ± -
MATERIAL SEE TABLE	FINISH SEE TABLE

DWN N.OJIMA 08JAN1990	TE Connectivity Ltd.		NAME	
CHK M.OSHIMA 08JAN1990			M.NOJIMA	
APVD M.NOJIMA 08JAN1990			070 SERIES TAB CONTACT	
PRODUCT SPEC			-	
APPLICATION SPEC	SIZE	CAGE CODE	DRAWING NO	RESTRICTED TO
WEIGHT	A3	00779	C-175188	-
CUSTOMER DRAWING			SCALE	SHEET
			5:1	1 OF 1
			REV	B

单击下面可查看定价，库存，交付和生命周期等信息

[>>TE Connectivity\(泰科\)](#)