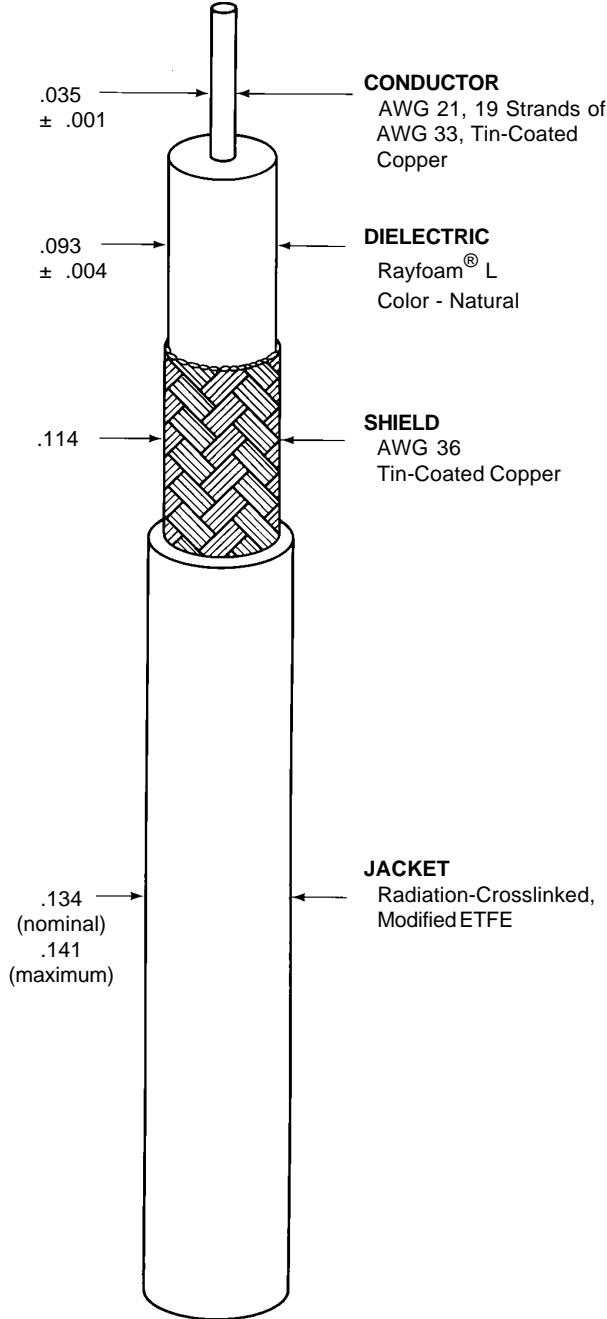


THIS SPECIFICATION SHEET FORMS A PART OF THE LATEST ISSUE OF RAYCHEM SPECIFICATION 1200

CONSTRUCTION DETAILS

DIMENSIONS ARE NOMINAL VALUES IN INCHES UNLESS OTHERWISE DESIGNATED.



Outer jacket color will be black (designated by a "-0" appended to the part number, e.g., 5021K1011-0) unless otherwise specified.

Designate outer jacket color with a dash number in accordance with MIL-STD-681. Other codes and suffixes may be added to the part number, as necessary, to capture any additional requirements imposed by the purchase order.

ELECTRICAL CHARACTERISTICS

CHARACTERISTIC IMPEDANCE	50 ± 2 ohms, Method A
CAPACITANCE	25.0 pF/ft. (minimum) 30.0 pF/ft. (maximum)
VELOCITY OF PROPAGATION	76% (nominal)
ATTENUATION	15.5 dB/100 ft. (maximum) at 400 MHz

ADDITIONAL REQUIREMENTS

ELECTRICAL

CONDUCTOR RESISTANCE	11.7 ohms/1000ft. (nominal)
INSULATION RESISTANCE	10,000 megohms (minimum) for 1000 ft.
JACKET FLAWS	
SPARK TEST	1.0 kV,
IMPULSE TEST	6.0 kV (peak)
VOLTAGE WITHSTAND (DIELECTRIC)	1000 volts (minimum)

VSWR	FREQUENCY (Mhz)	STRUCTURAL RETURN LOSS (db)
	41 - 88	22 (minimum)
	90 - 136	22 (minimum)
	162 - 230	22 (minimum)
	When terminated with an approved connector	

ENVIRONMENTAL

FLAMMABILITY	Method B
HEAT SHOCK	225°C
LOW TEMPERATURE-COLD BEND	-55°C/3.75 inch mandrel
SKYDROL RESISTANCE	24 hours at 50 ± 1°C, change in O.D. of 5% (maximum)
VOLTAGE WITHSTAND (POST ENVIRONMENTAL)	1000 volts (rms), 1 minute

PHYSICAL

INSULATION (DIELECTRIC)	
ELONGATION	50% (minimum)
TENSILE STRENGTH	1000 lbf/in ² (minimum)
JACKET	
ELONGATION	50% (minimum)
TENSILE STRENGTH	5000 lbf/in ² (minimum)
JACKET THICKNESS	.008 inch (minimum)
SHIELD COVERAGE	90% (minimum)

PRODUCT IDENTIFICATION: The cable shall be marked in a contrasting color at 6 inch (minimum), 12 inch (maximum) intervals between marks as follows: "5021K1011 06090"

WEIGHT	15.0 lbs/1000 ft. (maximum)
--------	-----------------------------

Users should evaluate the suitability of this product for their application. Specifications are subject to change without notice.

Tyco Electronics also reserves the right to make changes in materials or processing, which do not affect compliance with any specification, without notification to Buyer.

单击下面可查看定价，库存，交付和生命周期等信息

[>>TE Connectivity\(泰科\)](#)