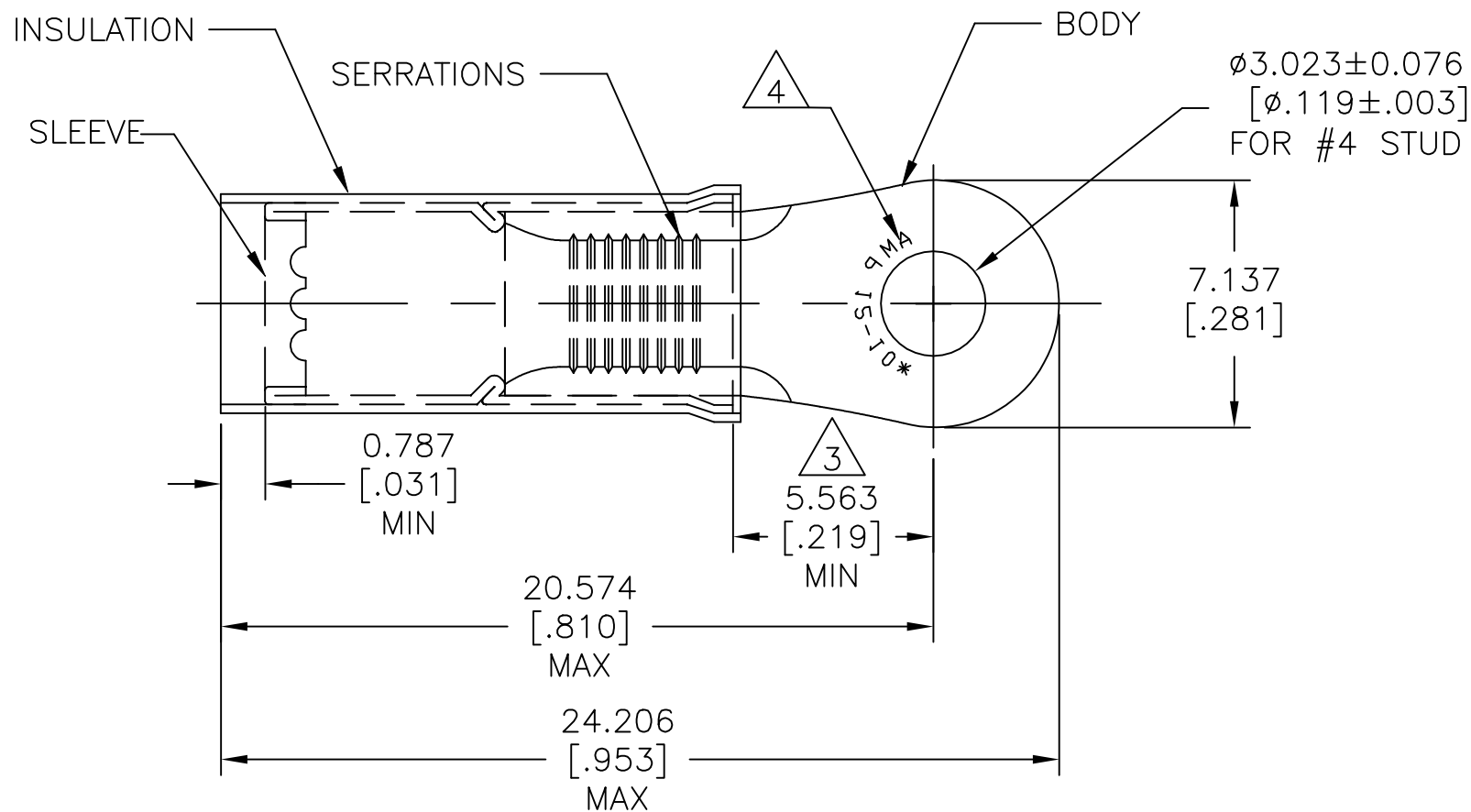


REVISIONS					
P	LTR	DESCRIPTION	DATE	DWN	APVD
	L1	NEW DRAWING PER ECO-11-019045	02APR12	KH	DR
	L2	REVISED PER ECO-17-007400	01DEC2017	RS	DR

AMP WIRE RANGE	Listed FILE E13288	LR7189 Certified
12-10 AWG SOLID OR STRANDED	12-10 AWG SOLID OR STRANDED	12-10 AWG SOLID OR STRANDED



- 1 FOR WIRE INSULATION: $\phi 3.810-6.350[\phi .150-.250]$
- 2 BODY MATERIAL THK: $1.016\pm 0.051[.040\pm .002]$
- 3 APPLIES FROM EDGE OF METAL WIRE BARREL TO CENTER OF STUD HOLE.
- 4 STAMP AMP 12-10* APPROX AS SHOWN
- 5 MATERIAL:
BODY&SLEEVE: COPPER PER ASTM B152
INSULATION: NYLON.
- 6 FINISH:
BODY&SLEEVE: TIN PLATE PER ASTM B545
INSULATION: COLOR-YELLOW

2000	ON TAPE REEL	1-35148-1
500	LOOSE PIECE	35148
QTY	PACKAGE TYPE	PART NO

AMP INCORPORATED
 CUSTOMER SERVICE SYSTEMS

THIS DRAWING IS A CONTROLLED DOCUMENT.

DWN	KIRAN HOLAL	02APR12
CHK	ROHDE DANIEL	02APR12
APVD	ROHDE DANIEL	02APR12
PRODUCT SPEC	UL486A-B	
APPLICATION SPEC	114-2157	
WEIGHT	CUSTOMER DRAWING	



NAME				WIRE TERMINAL P.I.D.G RING TONGUE WIRE SIZE: 12-10			
SIZE	CAGE CODE	DRAWING NO	RESTRICTED TO				
A3	00779	C=35148	-				
SCALE 5:1			SHEET 1 OF 1		REV L2		

FOR ADDITIONAL PRODUCT INFORMATION OR COPIES OF DRAWINGS AND TECHNICAL DOCUMENTS	PRODUCT INFORMATION CENTER 1-800-522-6752	RECOMMENDED OPERATING TEMPERATURE: 105°C [221°F]
FOR APPLICATION TOOLING INFORMATION	TOOLING ASSISTANCE CENTER 1-800-722-1111	VOLTAGE RATING: 300V MAX
FOR ORDER ENTRY	1-800-526-5142	WIRE CROSS SECTIONAL AREA RANGE: 2.62-6.64mm ² [5,180-13,100] SOLID OR STRANDED

DIMENSIONS: mm [INCHES]	TOLERANCES UNLESS OTHERWISE SPECIFIED:
	0 PLC ± -
	1 PLC ± -
	2 PLC ± -
	3 PLC ± 0.127[.005]
	4 PLC ± -
	ANGLES ± 5°
MATERIAL	FINISH

单击下面可查看定价，库存，交付和生命周期等信息

[>>TE Connectivity\(泰科\)](#)