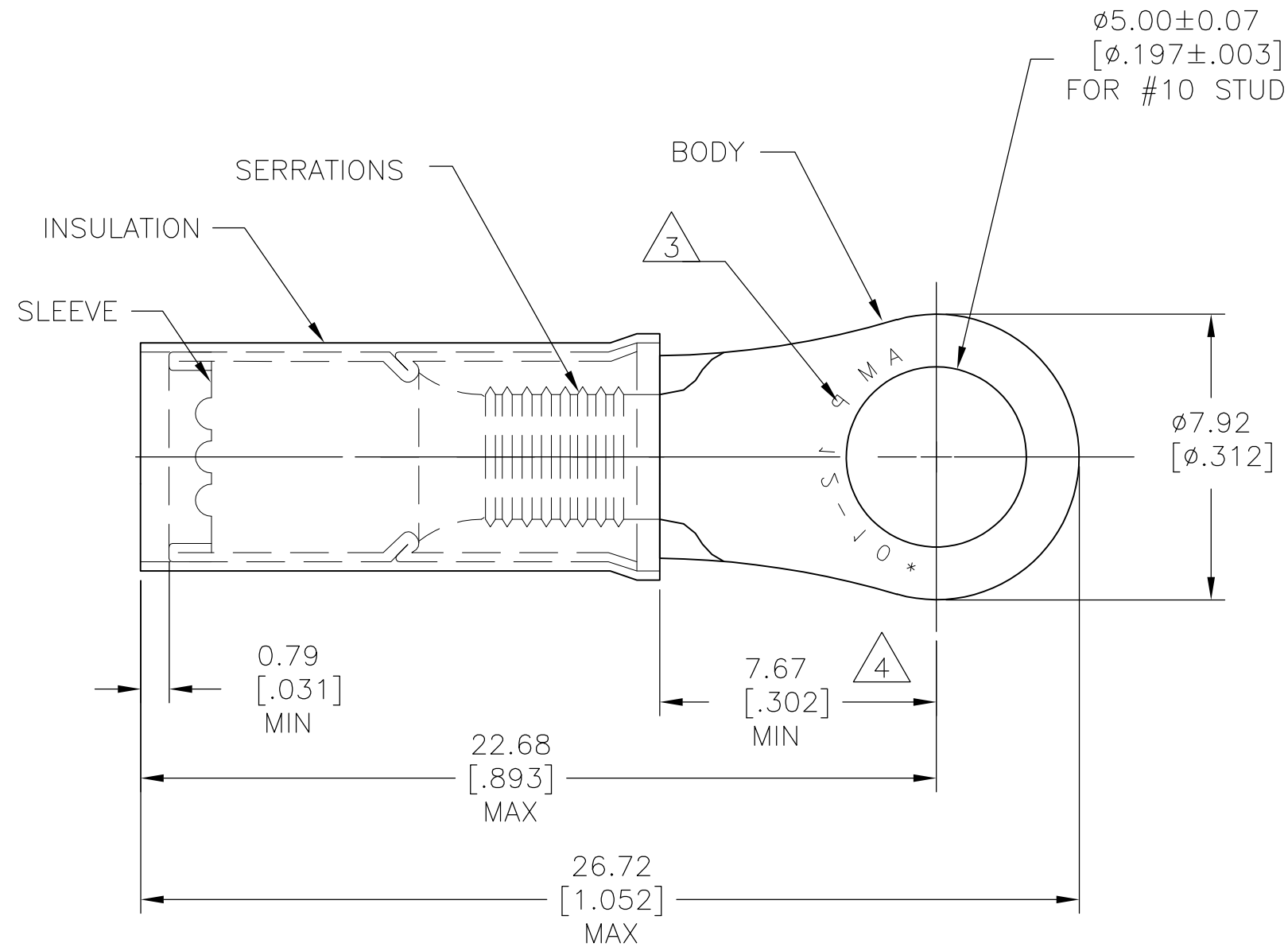


THIS DRAWING IS UNPUBLISHED. RELEASED FOR PUBLICATION
 © COPYRIGHT - By - ALL RIGHTS RESERVED.

| LOC | DIST | REVISIONS | | | | | |
|-----|------|-----------|-----|-------------------------------|---------|-----|------|
| | | P | LTR | DESCRIPTION | DATE | DWN | APVD |
| - | - | G2 | | NEW DRAWING PER ECO-11-019045 | 03APR12 | KH | DR |

| | | |
|--------------------------------|--------------------------------|-------------------------------|
| AMP WIRE RANGE | Listed FILE E13288 | LR7189 Certified |
| 12-10 AWG SOLID OR STRANDED | 12-10 AWG SOLID OR STRANDED | 12-10AWG SOLID OR STRANDED |



- 1 TONGUE MATERIAL THK: 1.02 ± 0.05 [0.040 ± 0.002]
- 2 FOR WIRE INSULATION DIA: 3.81 [0.150] TO 5.84 [0.230]
- 3 STAMP AMP 12-10* APPROX AS SHOWN.
- 4 DIMENSION APPLIES FROM EDGE OF METAL WIRE BARREL TO CENTER OF STUD HOLE.
- 5 MATERIAL: BODY & SLEEVE: COPPER PER ASTM B152. INSULATION : NYLON
- 6 FINISH: BODY & SLEEVE: TIN PLATE PER ASTM B545. INSULATION: COLOR-YELLOW.

| | | |
|------|---------------|------------|
| 50 | LOOSE PC, BOX | 8-324918-2 |
| 2500 | ON TAPE REEL | 1-324918-0 |
| 500 | LOOSE PIECE | 324918 |
| QTY | PACKAGE TYPE | PART NO |

AMP INCORPORATED
CUSTOMER SERVICE SYSTEMS

FOR ADDITIONAL PRODUCT INFORMATION OR COPIES OF DRAWINGS AND TECHNICAL DOCUMENTS
 PRODUCT INFORMATION CENTER
 1-800-522-6752

FOR APPLICATION TOOLING INFORMATION
 TOOLING ASSISTANCE CENTER
 1-800-722-1111

FOR ORDER ENTRY
 1-800-526-5142

RECOMMENDED OPERATING TEMPERATURE:
 105°C [221°F]

VOLTAGE RATING:
 300V MAX

WIRE CROSS SECTIONAL AREA RANGE:
 2.62-6.64mm² [5,180-13,100] CIR.MIL
 SOLID OR STRANDED

THIS DRAWING IS A CONTROLLED DOCUMENT.

DIMENSIONS:
 mm [INCHES]

TOLERANCES UNLESS OTHERWISE SPECIFIED:

| | |
|--------|----------------|
| 0 PLC | ± - |
| 1 PLC | ± - |
| 2 PLC | ± 0.20 [0.008] |
| 3 PLC | ± - |
| 4 PLC | ± - |
| ANGLES | ± - |

MATERIAL

FINISH

DWN KIRAN HOLAL 03APR12
 CHK ROHDE DANIEL 03APR12
 APVD ROHDE DANIEL 03APR12

STE TE Connectivity

NAME: WIRE TERMINAL
 P.I.D.G RING TONGUE
 WIRE SIZE 12-10

SIZE: A3 CAGE CODE: 00779 DRAWING NO: C-324918 RESTRICTED TO: -

CUSTOMER DRAWING SCALE: 6:1 SHEET: 1 OF 1 REV: G2

单击下面可查看定价，库存，交付和生命周期等信息

[>>TE Connectivity\(泰科\)](#)