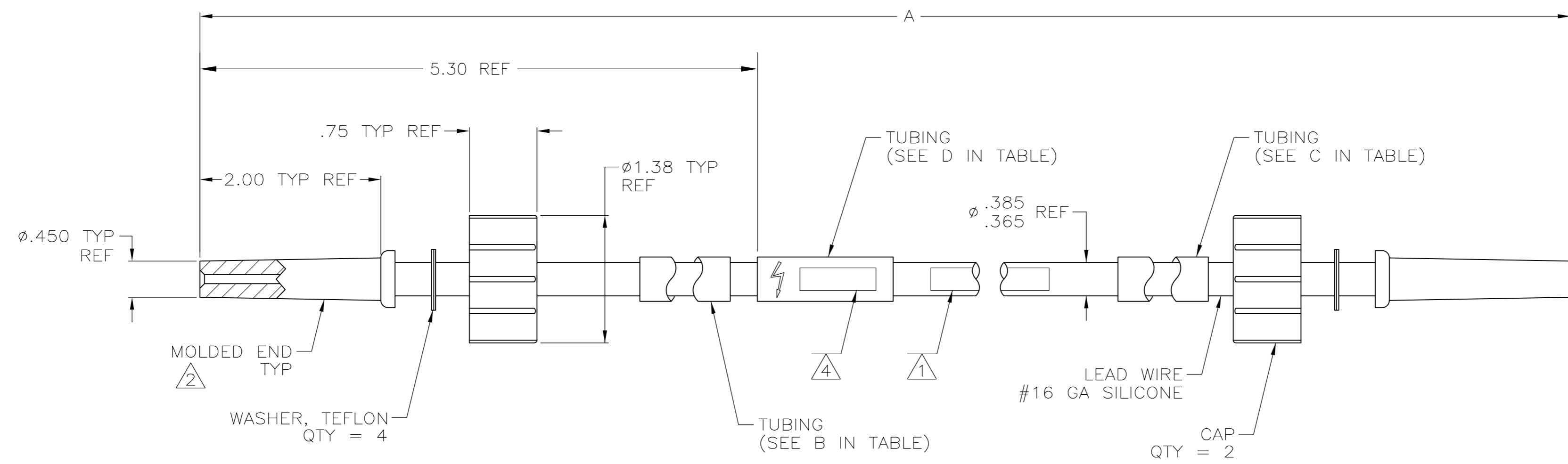


THIS DRAWING IS UNPUBLISHED. RELEASED FOR PUBLICATION - N/A .
 © COPYRIGHT N/A By - ALL RIGHTS RESERVED.

| LOC | DIST | REVISIONS | | | | | |
|-----|------|-----------|-----|-----------------------|---------|-----|------|
| DF | S0 | P | LTR | DESCRIPTION | DATE | DWN | APVD |
| | | C | | REV PER ECO-11-013601 | 15JUL11 | PY | DE |

- ① MARKED PER MIL-STD-130.
- ② TO MATE WITH AMP LGH-4 RECEPTACLE WITH 2.00 BARREL DEPTH.
- 3. COLOR OF LEAD WIRE: WHITE.
- ④ ERICSSON PART NUMBER (SEE TABLE).



| | | | | | |
|---------------|--------|--------|--------|-----------|-------------|
| RPM 517 920/4 | YELLOW | ORANGE | ORANGE | 18.00±.12 | 445555-3 |
| RPM 517 920/3 | YELLOW | BLUE | WHITE | 18.00±.12 | 445555-2 |
| RPM 517 920/2 | YELLOW | BLUE | WHITE | 24.00±.12 | 445555-1 |
| ERICSSON P/N | D | C | B | A | PART NUMBER |

| | | | | |
|--|--|---------------------------|---|--|
| THIS DRAWING IS A CONTROLLED DOCUMENT. | | DWN T. SHUEY 25-AUG-88 | TE TE Connectivity | |
| DIMENSIONS: INCHES | | CHK M. GARDNER 08-SEP-88 | | |
| TOLERANCES UNLESS OTHERWISE SPECIFIED: | | APVD M. GARDNER 08-SEP-88 | NAME | |
| 0 PLC ± - | | PRODUCT SPEC | LEAD ASSEMBLY DOUBLE END LGH-4 | |
| 1 PLC ± - | | APPLICATION SPEC | SIZE CAGE CODE DRAWING NO RESTRICTED TO | |
| 2 PLC ± - | | WEIGHT - | A2 00779 C=445555 | |
| 3 PLC ± - | | MATERIAL - | SCALE 1:1 SHEET 1 of 1 REV C | |
| 4 PLC ± - | | FINISH - | CUSTOMER DRAWING | |
| ANGLES ± - | | | | |

单击下面可查看定价，库存，交付和生命周期等信息

[>>TE Connectivity\(泰科\)](#)