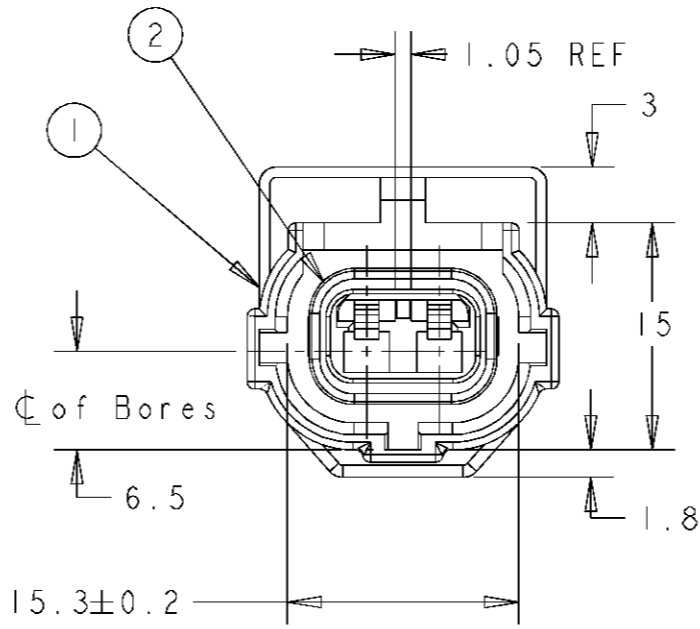
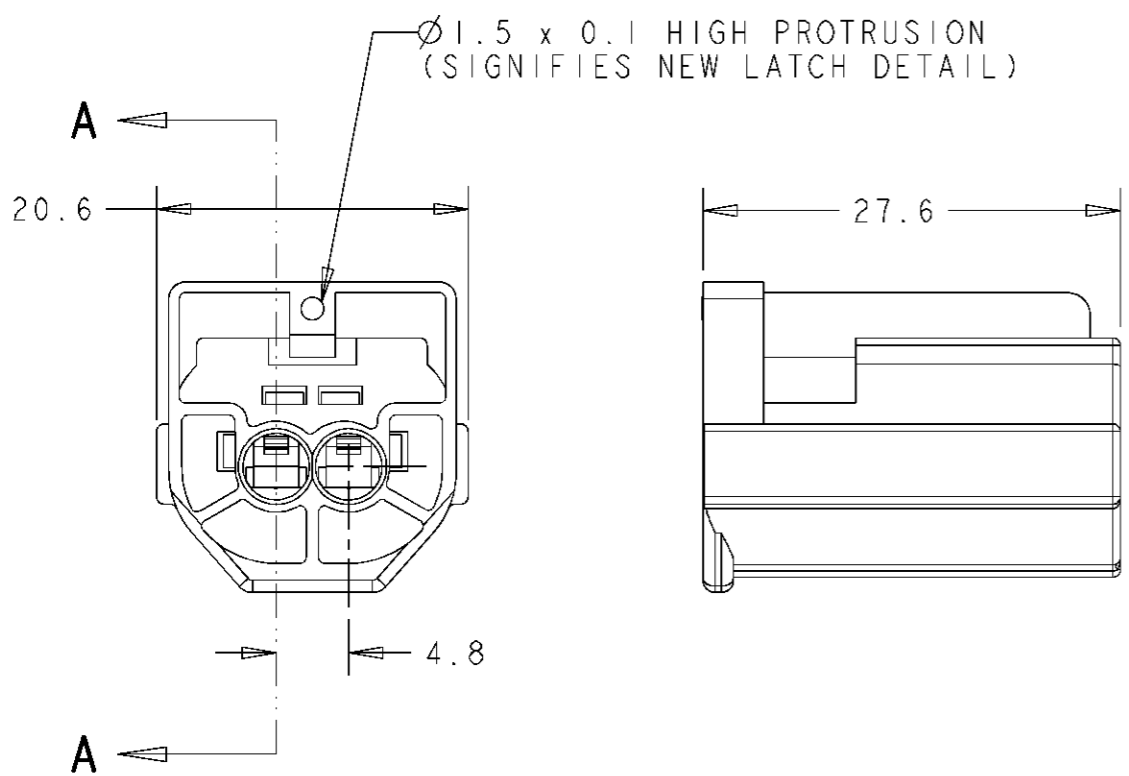
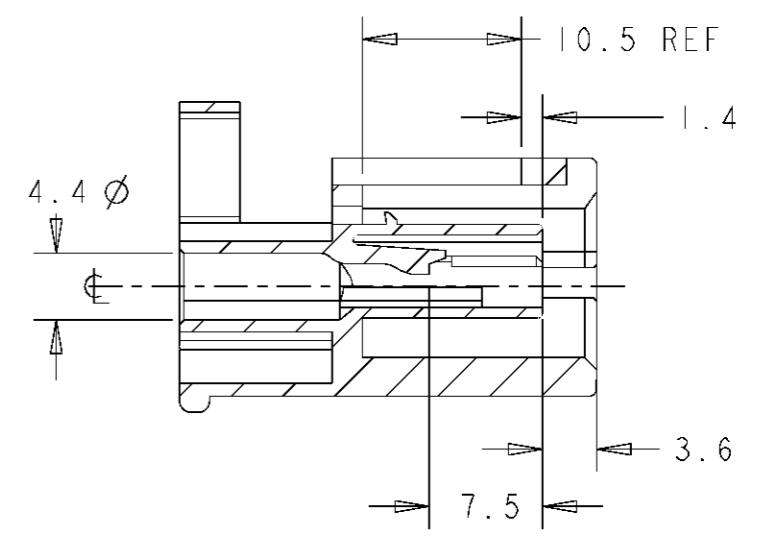


THIS DRAWING IS UNPUBLISHED. RELEASED FOR PUBLICATION  
 © COPYRIGHT BY - ALL RIGHTS RESERVED.

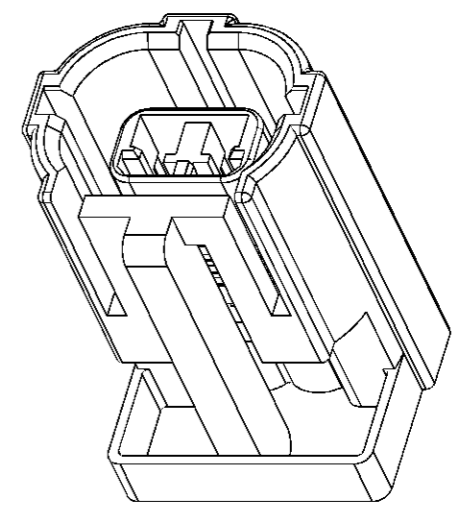
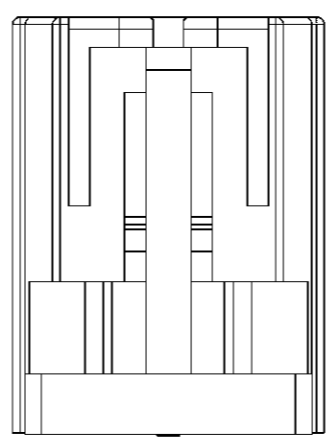
LOC	DIST	REVISIONS			
P	LTR	DESCRIPTION	DATE	DWN	APVD
E	B	L5	ECR-15-009767	29JUN2015	SK BB



SECTION **A-A**  
 SEAL REMOVED FOR CLARITY



CONTROL DIMENSION



SCALE 2:1

2	BLACK	NITRILE	2822349-1	PERIPHERAL SEAL	1	1-344276-4 (WHITE)
1	WHITE	NYLON 66	344275-4	2 WAY REC HSG	1	
2	BLACK	NITRILE	2822349-1	PERIPHERAL SEAL	1	1-344276-3 (BLUE)
1	BLUE	NYLON 66	344275-3	2 WAY REC HSG	1	
2	BLACK	NITRILE	2822349-1	PERIPHERAL SEAL	1	1-344276-2 (RED)
1	RED	NYLON 66	344275-2	2 WAY REC HSG	1	
2	BLACK	NITRILE	2822349-1	PERIPHERAL SEAL	1	1-344276-1 (BLACK)
1	BLACK	NYLON 66	344275-1	2 WAY REC HSG	1	
2	ORANGE	SILICONE	347702-1	PERIPHERAL SEAL	1	344276-4 (WHITE)
1	WHITE	NYLON 66	344275-4	2 WAY REC HSG	1	
2	ORANGE	SILICONE	347702-1	PERIPHERAL SEAL	1	344276-3 (BLUE)
1	BLUE	NYLON 66	344275-3	2 WAY REC HSG	1	
2	ORANGE	SILICONE	347702-1	PERIPHERAL SEAL	1	344276-2 (RED)
1	RED	NYLON 66	344275-2	2 WAY REC HSG	1	
2	ORANGE	SILICONE	347702-1	PERIPHERAL SEAL	1	344276-1 (BLACK)
1	BLACK	NYLON 66	344275-1	2 WAY REC HSG	1	
<b>ITEM</b>	<b>COLOUR</b>	<b>MATERIAL</b>	<b>PART NO</b>	<b>DESCRIPTION</b>	<b>Qty</b>	<b>ASSY PT NO</b>

DIMENSIONS:	TOLERANCES UNLESS OTHERWISE SPECIFIED:
mm	0 PLC ±-
	1 PLC ±0.5
	2 PLC ±0.5
	3 PLC ±0.5
	4 PLC ±-
	ANGLES ±2
<b>MATERIAL</b> SEE TABLE	<b>FINISH</b> -

DWN M. GREENER 28JUL2003	TE Connectivity <b>NAME</b> 2 WAY RECEPTACLE HOUSING ECONOSEAL 3 LOW CURRENT	<b>SIZE</b> A3 <b>CAGE CODE</b> 00779 <b>DRAWING NO</b> C-344276	<b>RESTRICTED TO</b> -		
CHK M. HARRIS 28JUL2003					
APVD B. BAKER 28JUL2003					
PRODUCT SPEC -					
APPLICATION SPEC -	WEIGHT -	CUSTOMER DRAWING	SCALE 2:1	SHEET 1 OF 1	REV L5

单击下面可查看定价，库存，交付和生命周期等信息

[>>TE Connectivity\(泰科\)](#)