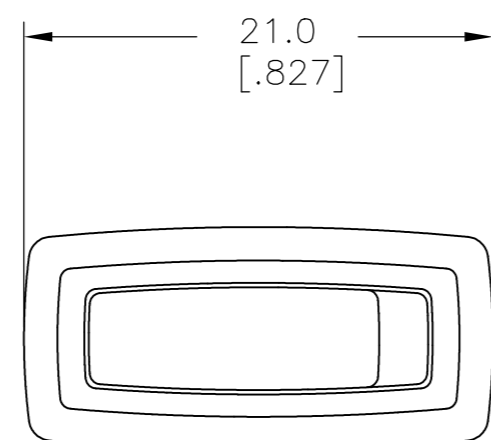
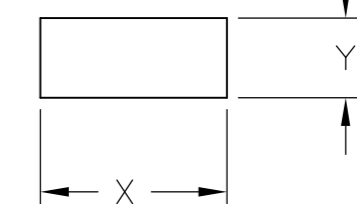


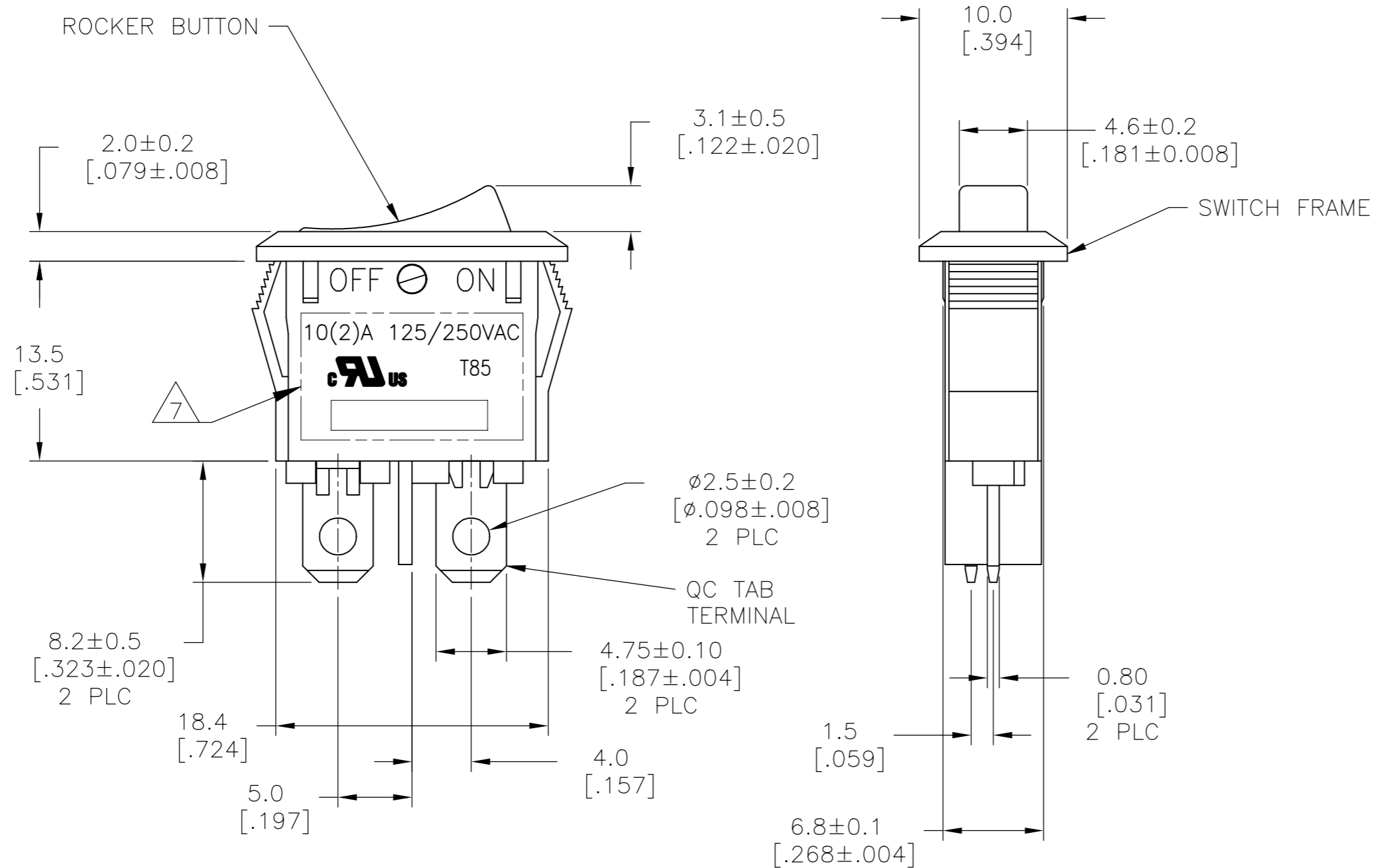
THIS DRAWING IS UNPUBLISHED. RELEASED FOR PUBLICATION
 © COPYRIGHT - By - ALL RIGHTS RESERVED.

REVISIONS					
P	LTR	DESCRIPTION	DATE	DWN	APVD
	F	REVISED PER ECO-18-017612	14DEC2018	DHC	PO

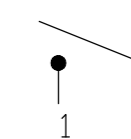
PANEL CUT OUT



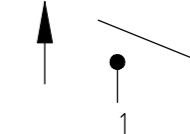
2.00-3.00 [.079-.118]	19.8 -0.1 [.780 -.004]	7.0 +0.1 [.276 +.004]
1.25-2.00 [.049-.079]	19.4 -0.1 [.764 -.004]	7.0 +0.1 [.276 +.004]
0.75-1.25 [.030-.049]	19.2 -0.1 [.756 -.004]	7.0 +0.1 [.276 +.004]
PANEL THICKNESS	X	Y



SWITCH FUNCTION A1
CIRCUIT DIAGRAM



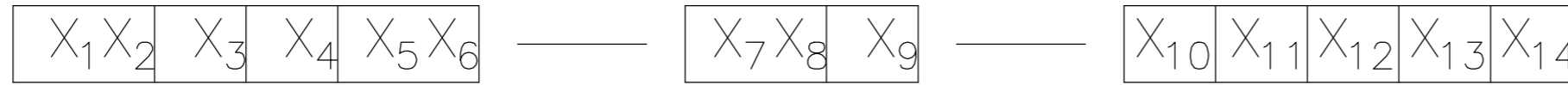
SWITCH FUNCTION A3
CIRCUIT DIAGRAM



THIS DRAWING IS A CONTROLLED DOCUMENT.		DWN M.BINNER	18JUN2003		
DIMENSIONS: MM		CHK J.MOSIER	APVD		
		TOLERANCES UNLESS OTHERWISE SPECIFIED:		PRODUCT SPEC NOT APPLICABLE	SIZE A2
MATERIAL 1		FINISH 2		APPLICATION SPEC NOT APPLICABLE	CAGE CODE 00779
		WEIGHT		DRAWING NO 1571500	RESTRICTED TO -
		CUSTOMER DRAWING		SCALE 3:1	SHEET 1 OF 2
				REV F	

REVISIONS				
P	LTR	DESCRIPTION	DATE	APVD
-	-	SEE SHEET 1	-	-

LEGACY PART NUMBER



SWITCH TYPE: X₁X₂ = PR - POWER ROCKER
 NOMINAL PANEL CUT OUT SIZE: X₃ = H - 7.0x19.2 [.276x.756]
 NUMBER OF POLES: X₄ = S - SINGLE
 SWITCH FUNCTION: X₅X₆ = A1 - ON-OFF, WITH OPAQUE,
 SINGLE-COLOR ROCKER BUTTON
A3 - (ON)-OFF, WITH OPAQUE,
 SINGLE-COLOR ROCKER BUTTON
 CURRENT RATING: X₇X₈ = 08 - 6
 TERMINAL TYPE: X₉ = E - QC TAB
 FRAME COLOR: X₁₀ = B - BLACK
W - WHITE
 ROCKER COLOR: X₁₁ = B - BLACK
G - GREEN
R - RED
W - WHITE

SECONDARY ROCKER COLOR: X₁₂ = ∅ - NOT APPLICABLE
B - BLACK
G - GREEN
R - RED
W - WHITE

LEGEND TEXT PATTERN: X₁₃ =

LEGEND TEXT COLOR: X₁₄ = ∅ - NOT APPLICABLE
R - RED
B - BLACK
W - WHITE

- 1 **MATERIALS:**
 ROCKER BUTTON, HOUSING FRAME & RETURN SPRING
 SUPPORT(MOMENTARY ACTION TYPE) : NYLON 66, UL94 V-2.
 TERMINALS: COPPER ALLOY PER ASTM B152/B152M.
 ACTIVE CONTACTOR: COPPER ALLOY PER ASTM B194.
 CONTACT: SILVER-TIN OXIDE.
 SPRING: STEEL WIRE PER ASTM A228/A228M
- 2 **FINISH:**
 TERMINALS, ACTIVE CONTACTOR: 1.0µm [.000039] MIN SILVER
- 3 **ELECTRICAL SPECIFICATIONS:**
 CURRENT AND VOLTAGE: 6
 CONTACT RESISTANCE (INITIAL): <50mΩ
 DIELECTRIC STRENGTH (INITIAL): >1000 VAC, 1 MINUTE
 INSULATION RESISTANCE (INITIAL): >100MΩ MIN (500VDC
 BETWEEN OPEN CONTACTS)
 INRUSH CURRENT: 50A / 3msec (CAPACITIVE LOAD)
 ELECTRICAL LIFE ENDURANCE: >6000 OPERATIONS,
 TEMPERATURE RISE AT TERMINALS: <30°C, 6000 OPERATIONS
 (AMBIENT CONDITIONS: 25±2°C
 AND 65±5%R.H)
- 4 **MECHANICAL SPECIFICATIONS:**
 ACTUATING FORCE: 100g MIN, 650g MAX
 OPERATING LIFE ENDURANCE: >100,000 OPERATIONS
 TERMINAL STRENGTH >10.0kg- QC TAB

- 5 **ENVIRONMENTAL SPECIFICATIONS:**
 AMBIENT TEMPERATURE: -25°C TO +85°C
 HUMIDITY: MAX 85%
 SALT SPRAY: NO REMAKABLE RUST IN METAL PARTS. (5%SALT / 35°C 24HRS)
 SHOCK: NO MECHANICAL DEFECT OR DAMAGE. (100g / 10MSEC/ X,Y,Z 3 TIMES)
 VIBRATION: NO MECHANICAL DEFECT OR DAMAGE. (10-55Hz /1.5mm/ X,Y,Z 2HRS)
- 6 **UL: 10(2)A 125/250VAC**
 ENEC: T85
- 7 **ELECTRICAL RATINGS, AGENCY APPROVAL LOGOS, OFF/ON**
 DESIGNATIONS AND THE TE LOGO PER TEC-202-36 LOCATED
 APPROXIMATELY AS SHOWN ON THE SIDE OF THE SWITCH HOUSING.
- 8 **COMPONENT RECOGNIZED TO US AND CANADIAN**
 STANDARDS, UL FILE NO. E46765.
- 9 **COMPONENT RECOGNIZED TO EUROPEAN STANDARDS (ENEC & FI). CERTIFICATE No.**
 ENEC2003036.
- 10 **OBSOLETE**

OBSOLETE	PRHSA1-08F-BB0BW	1571500-5
	PRHSA1-08F-BB0HW	1571500-4
	PRHSA1-08F-BB0CW	1571500-3
	PRHSA3-08F-BB000	1571500-2
	PRHSA1-08F-BB000	1571500-1
	LEGACY PART NUMBER	TE PART NUMBER

THIS DRAWING IS A CONTROLLED DOCUMENT.		DWN M.BINNER	18JUN2003	TE TE Connectivity	
DIMENSIONS: MM		CHK J.MOSIER	APVD		
TOLERANCES UNLESS OTHERWISE SPECIFIED:		PRODUCT SPEC		NAME	
0 PLC ± -		NOT APPLICABLE		POWER ROCKER SWITCH, 7.0mmX19.2mm	
1 PLC ± 0.30[.012]		APPLICATION SPEC		PANEL SIZE, SPST, 2 TERMINALS, NON-ILLUMINATED	
2 PLC ± 0.05[.002]		NOT APPLICABLE		SIZE	
3 PLC ± -		NOT APPLICABLE		CAGE CODE	
4 PLC ± -		NOT APPLICABLE		DRAWING NO	
ANGLES ± -		NOT APPLICABLE		RESTRICTED TO	
MATERIAL	FINISH	WEIGHT	A2	00779	G=1571500
CUSTOMER DRAWING		SCALE	3:1	SHEET	2 of 2
				REV	F

单击下面可查看定价，库存，交付和生命周期等信息

[>>TE Connectivity\(泰科\)](#)