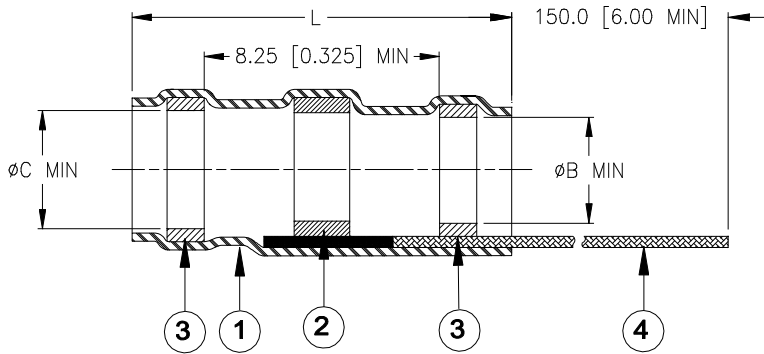


# CUSTOMER DRAWING



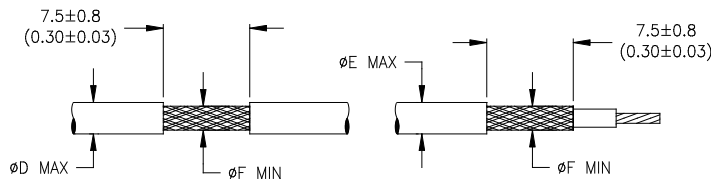
Product Name	Ident. Code	Product Dimensions			Cable Dimensions		
		$L \pm 1.75$ ( $L \pm 0.070$ )	$\phi B$ min	$\phi C$ min	$\phi D$ max	$\phi E$ max	$\phi F$ min
S200-1-02-TC	S2001R	16.50 (0.650)	1.90 (0.075)	2.67 (0.105)	1.90 (0.075)	2.67 (0.105)	0.90 (0.035)

### MATERIALS

- INSULATION SLEEVE: Heat-shrinkable, transparent blue, radiation cross-linked modified fluoropolymer.
- SOLDER PREFORM WITH FLUX AND THERMAL INDICATOR:  
 SOLDER: TYPE Sn96 per ANSI / J-STD-006.  
 FLUX: TYPE ROM1 per ANSI / J-STD-004.  
 THERMAL INDICATOR: Color changes from orange to colorless.
- MELTABLE SEALING RINGS: Environment resistant modified thermoplastic fluoroe elastomer. Color: light blue.
- PRE-INSTALLED BRAID: Nickel-plated copper strands per ASTM B355, Class 4. CMA = 800.

### APPLICATION

- These parts are designed to provide an environment protected shield termination on cables, rated for 150°C minimum, meeting the dimensional criteria listed, having silver or nickel-plated shields.
- Install using TE Connectivity-approved convection or infrared heating tools in accordance with Tyco Electronics process standard RCPS-100-71. When installed with approved convection or infrared heating tools, assemblies will meet the performance requirements of SAE-AS83519. Infrared tools are not recommended for use with black cable jackets.
- Parts shall be marked with identification code per table.
- Temperature range: -65°C to +200°C.
- For best results, prepare the cable as shown:



		Raychem Devices		TITLE: SOLDERSLEEVE SHIELD TERMINATOR WITH PRE-INSTALLED BRAID, 200 DEG C, RoHS COMPLIANT, THERMOCHROMIC		
Unless otherwise specified dimensions are in millimeters. [Inches dimensions are shown in brackets]				DOCUMENT NO.: <b>S200-1-02-TC</b>		
TOLERANCES: 0.00 N/A 0.0 N/A 0 N/A	ANGLES: N/A ROUGHNESS IN MICRON	TE Connectivity reserves the right to amend this drawing at any time. Users should evaluate the suitability of the product for their application.		Revision : <b>D</b>	Issue Date : April 2020	
DRAWN BY: YUNGUYEN	CAGE CODE: 06090	DATE: April 16, 2020	ECO: ECO-20-004961	SCALE: NTS	SIZE: A	SHEET: 1 of 1

Print Date: 16-Apr-20

© 2020 Tyco Electronics Corporation. All rights reserved.

If this document is printed it becomes uncontrolled. Check for the latest revision.

# SPECIFICATION CONTROL DRAWING

TE Connectivity, TE connectivity (logo), Raychem, and SolderSleeve are trademarks

Unless otherwise specified dimensions are in millimeters.  
(Inches dimensions are shown in brackets)

DOCUMENT NO.: <b>D-150-0253</b>	PROD. REV.: C	DOC. ISSUE: 4	DCR NUMBER: D030299	DATE: 30-May-03	SHEET: 2 of 2
------------------------------------	------------------	------------------	------------------------	--------------------	------------------

Print Date: 16-Apr-20

If this document is printed it becomes uncontrolled. Check with the web for the latest revision

单击下面可查看定价，库存，交付和生命周期等信息

[>>TE Connectivity\(泰科\)](#)