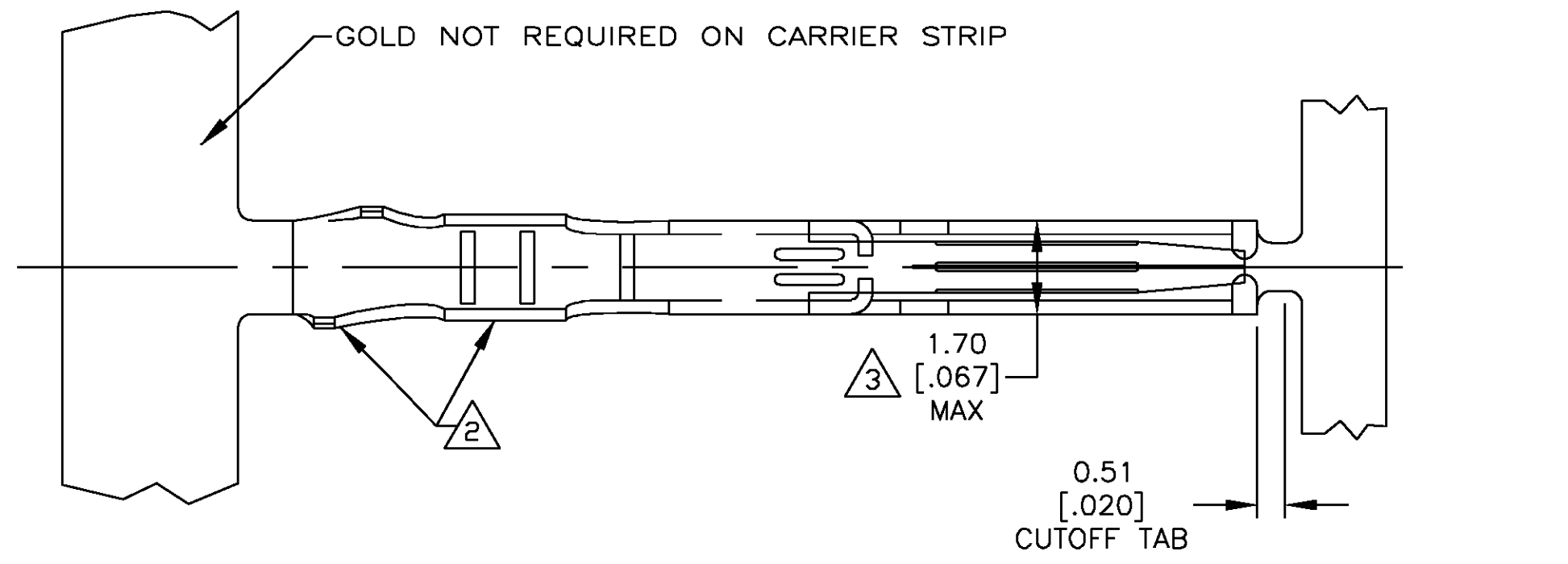
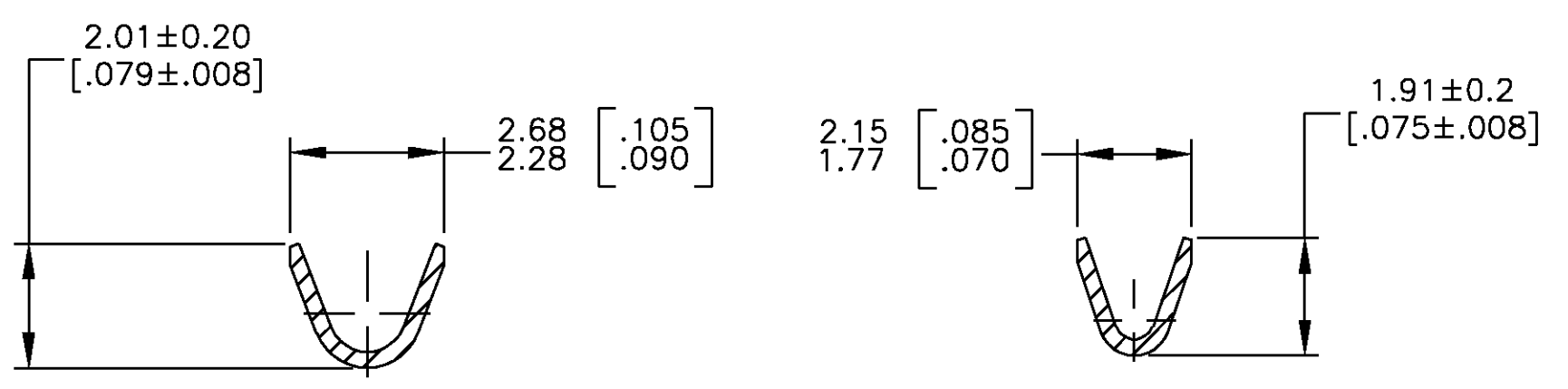
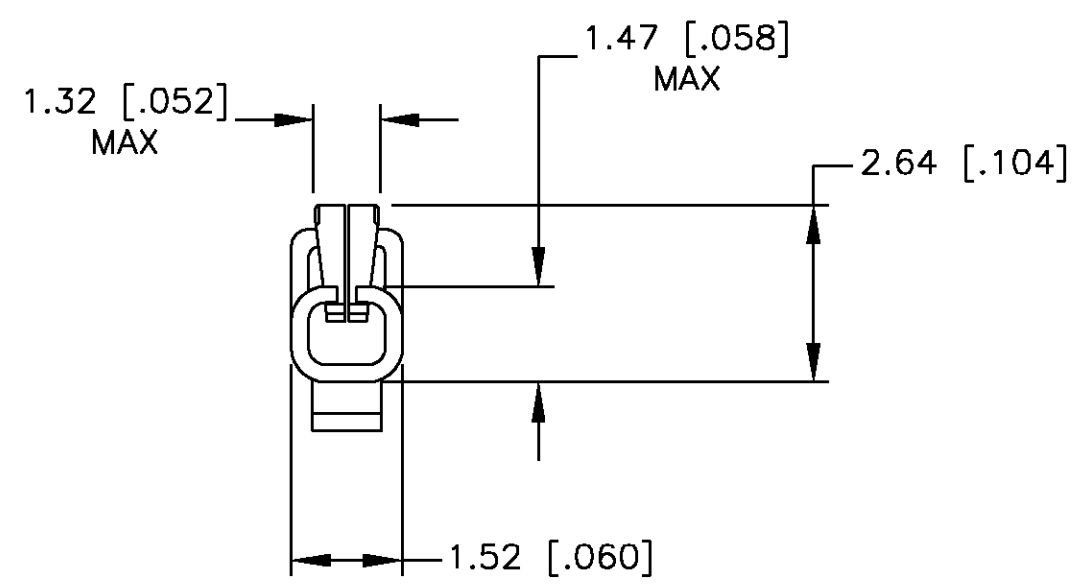
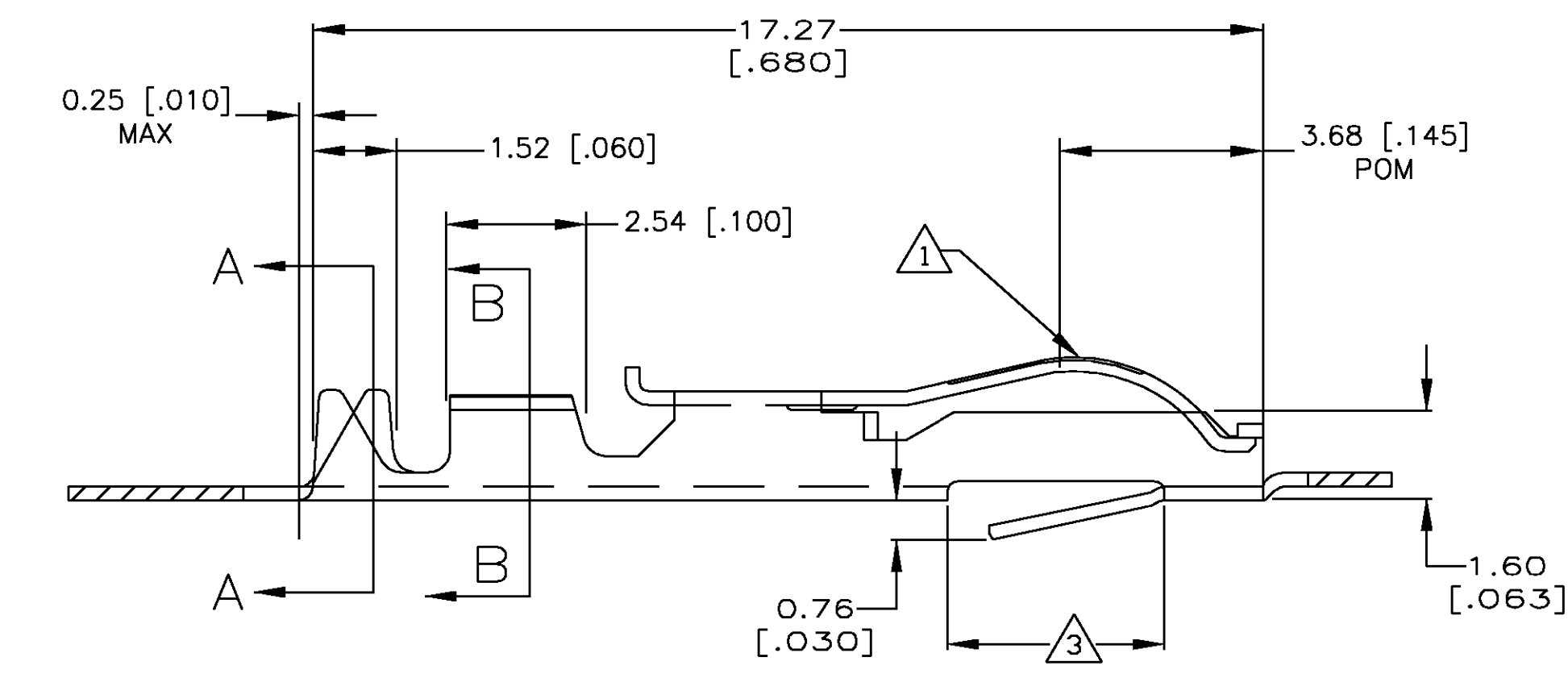


THIS DRAWING IS UNPUBLISHED.  
 RELEASED FOR PUBLICATION  
 © COPYRIGHT BY TYCO ELECTRONICS CORPORATION. ALL RIGHTS RESERVED.

LOC	DIST	REVISIONS			
P	LTR	DESCRIPTION	DATE	DWN	APVD
AD	00	A	REV PER OG3C-0321-00	31JUL00	BH MM



- 1 0.76 $\mu$ m [.000030] MIN GOLD OVER 0.76 $\mu$ m [.000030] MIN NICKEL IN CONTACT AREA.
- 2 TIN-LEAD IN CRIMP AREA.
- 3 .067 MAX ALLOWED IN LOCKING LANCE AREA.
- 4. REEL QUANTITY = 7000 PIECES.



SECTION A-A  
 INSULATION RANGE  
 .060-.048 DIA

SECTION B-B  
 WIRE RANGE  
 #20 AWG

147439-2  
 PART NUMBER

THIS DRAWING IS A CONTROLLED DOCUMENT.		DWN R BROWN 31JUL00	AMP Tyco Electronics Corporation Harrisburg, PA 17105	
DIMENSIONS: INCHES		CHK M MILLER 14 JUN 00	NAME	
TOLERANCES UNLESS OTHERWISE SPECIFIED:		APVD M MILLER 14 JUN 00	CONTACT, CRIMP-SNAP, 20 AWG, TWIN LEAF	
0 PLC ± -	1 PLC ± -	APPLICATION SPEC	SIZE A2	CAGE CODE 00779
2 PLC ± 0.13 [.005]	3 PLC ± -	RESTRICTED TO	DRAWING NO 147439	
4 PLC ± -	ANGLES ± -	WEIGHT	SCALE 10:1	
MATERIAL BERYLLIUM COPPER		FINISH	SHEET 1 OF 1	
CUSTOMER DRAWING		REV A		

单击下面可查看定价，库存，交付和生命周期等信息

[>>TE Connectivity\(泰科\)](#)