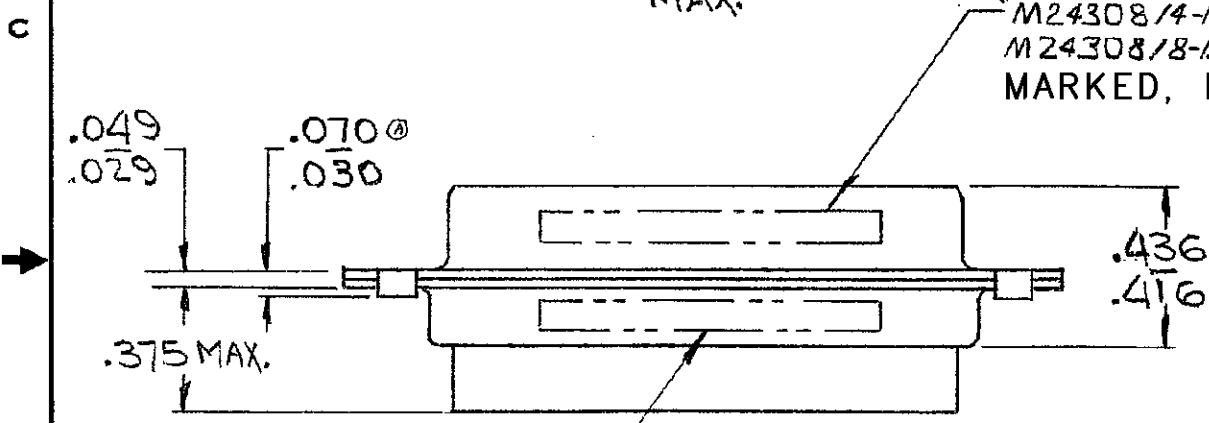
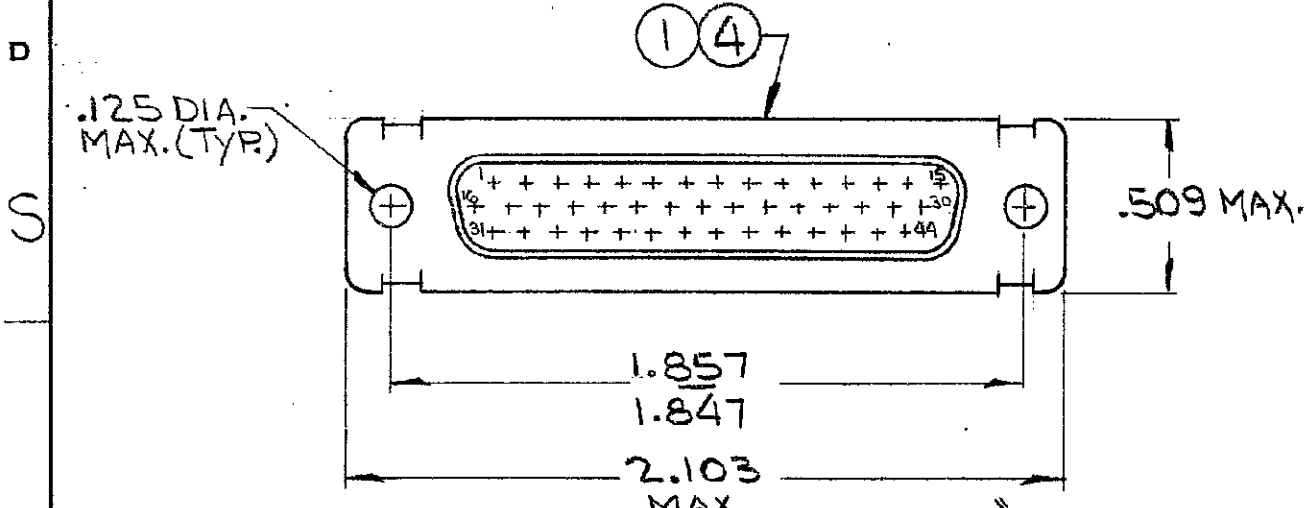
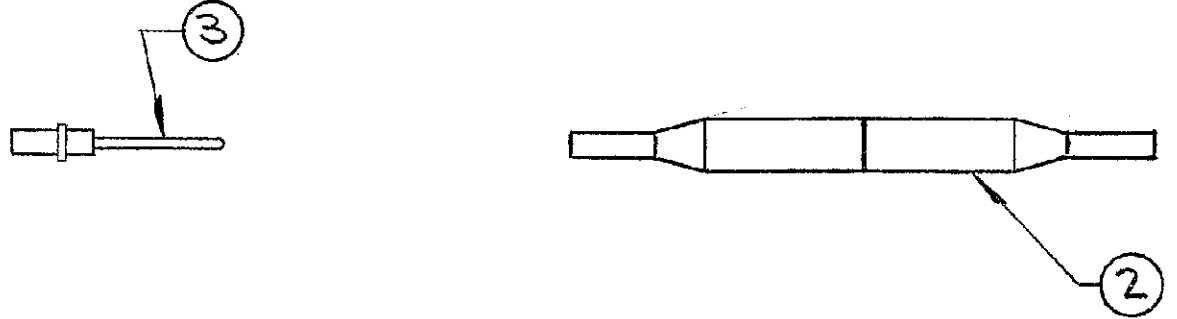


DRAWING MADE IN AMERICAN PROJECTION

REVISIONS				
ZONE	LTR	DESCRIPTION	DATE	APPROVED
	G1	REVISED PER ECO-11-005030	24MAR11	HMR



M24308/4-13F (-1-2 F-3 ONLY)
M24308/8-13F (-4-5 F-6 ONLY)
MARKED, FAR SIDE



MFG'S NAME, BRAND
OR LOGO, MFG'S PART NO
AND DATE CODE MARKED FAR SIDE

-	X	-	-	-	-	MIL No. M24308/8-13F MARKED ON PACKAGE
-	-	-	-	X	-	MIL No. M24308/4-13F MARKED ON PACKAGE
X	-	-	-	-	-	MIL No. M24308/8-19F MARKED ON PACKAGE
-	-	-	X	-	-	MIL No. M24308/4-19F MARKED ON PACKAGE
1	1	1	-	-	-	C 204505-2 PLUG ASSY, SIZE 3 (BRASS SHELL)
4	4	4	4	-	-	B 204370-2 CONTACT, PIN - SIZE 22D
1	-	1	1	-	1	B 91067-1 INSERTION/EXTRACTION TOOL
-	-	-	1	1	1	C 204505-1 PLUG ASSY, SIZE 3 (STEEL SHEEL)
6	5	4	3	2	1	DWG SIZE NUMBER NAME ITEM No.

2 SUPSD BY 206063-A & (44) 204370-B

UNLESS OTHERWISE SPECIFIED DIMENSIONS ARE IN INCHES TOLERANCES ON: DECIMALS ± # ANGLES ± #	CONTRACT NO.		TE Connectivity	
	DR.	12/11/70		
	APPD	12-2-70		
	REL	12-8-70		
	DSGN APPD	12-9-70		
MATERIAL	NAME		KIT, "HDD" SERIES, PLUG, SIZE #3 (44 POS.) RE	
	SIZE	CODE IDENT NO.		
	NUMBER	REV		
	B	00779	204517	G1
	SCALE	SHEET 1 OF 1		

CUSTOMER DRAWING

单击下面可查看定价，库存，交付和生命周期等信息

[>>TE Connectivity\(泰科\)](#)