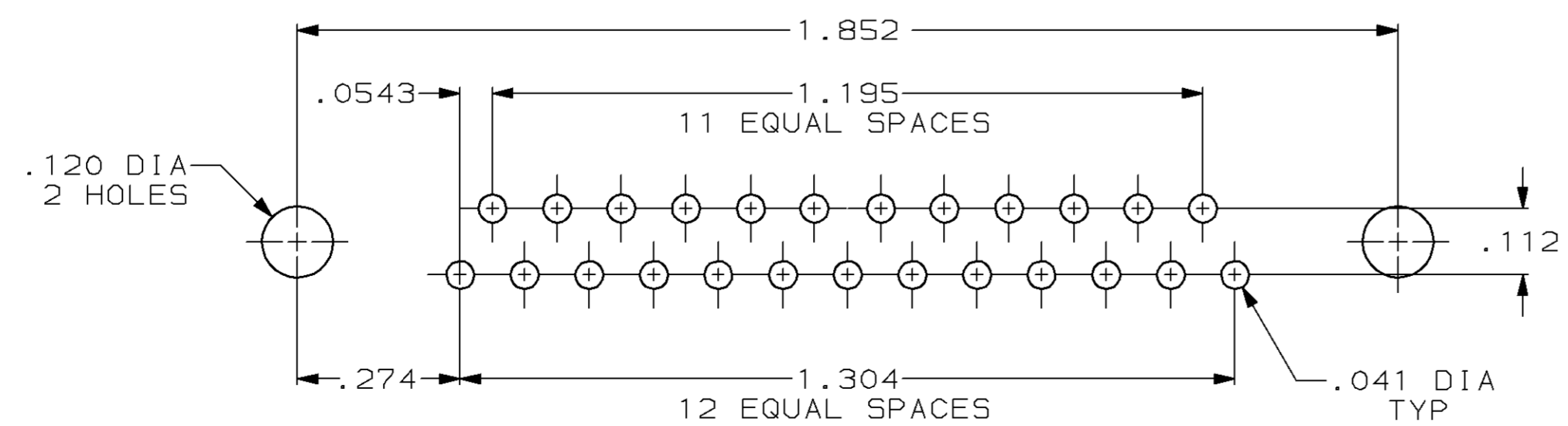
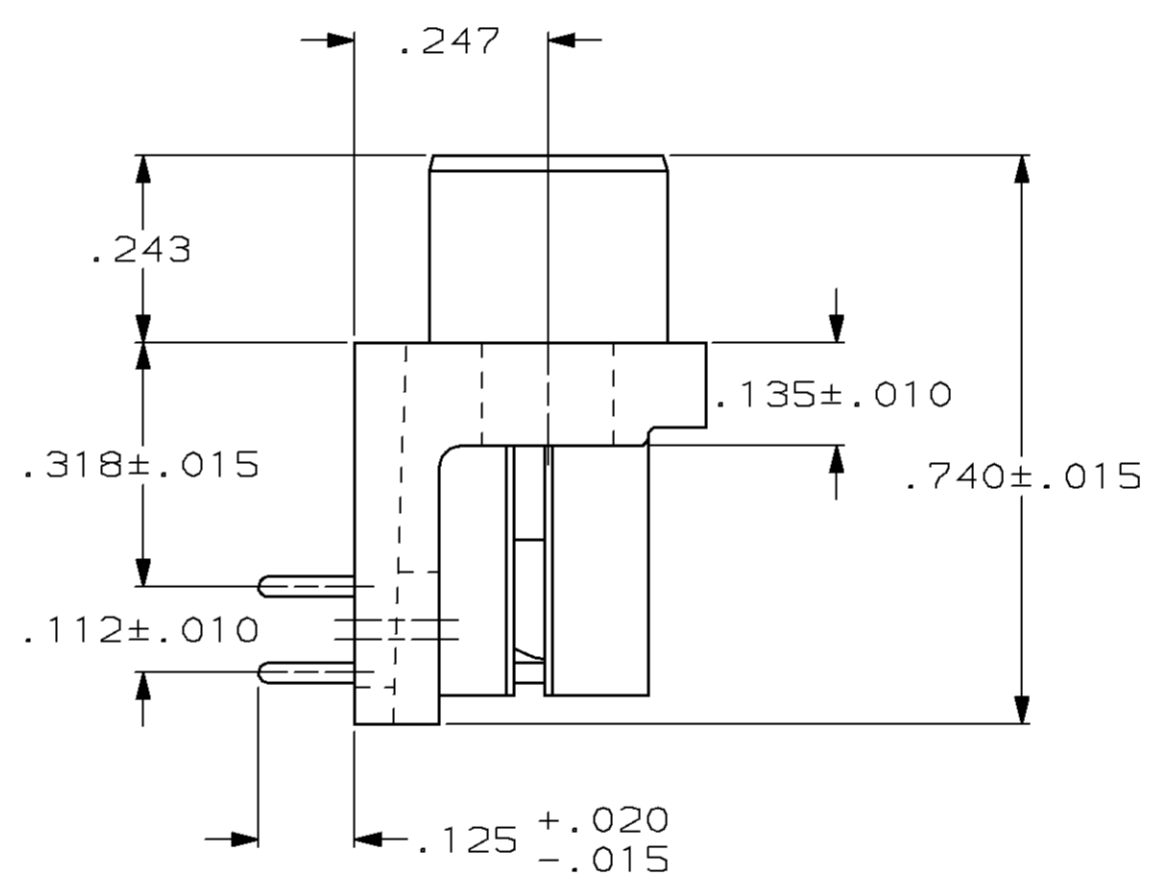
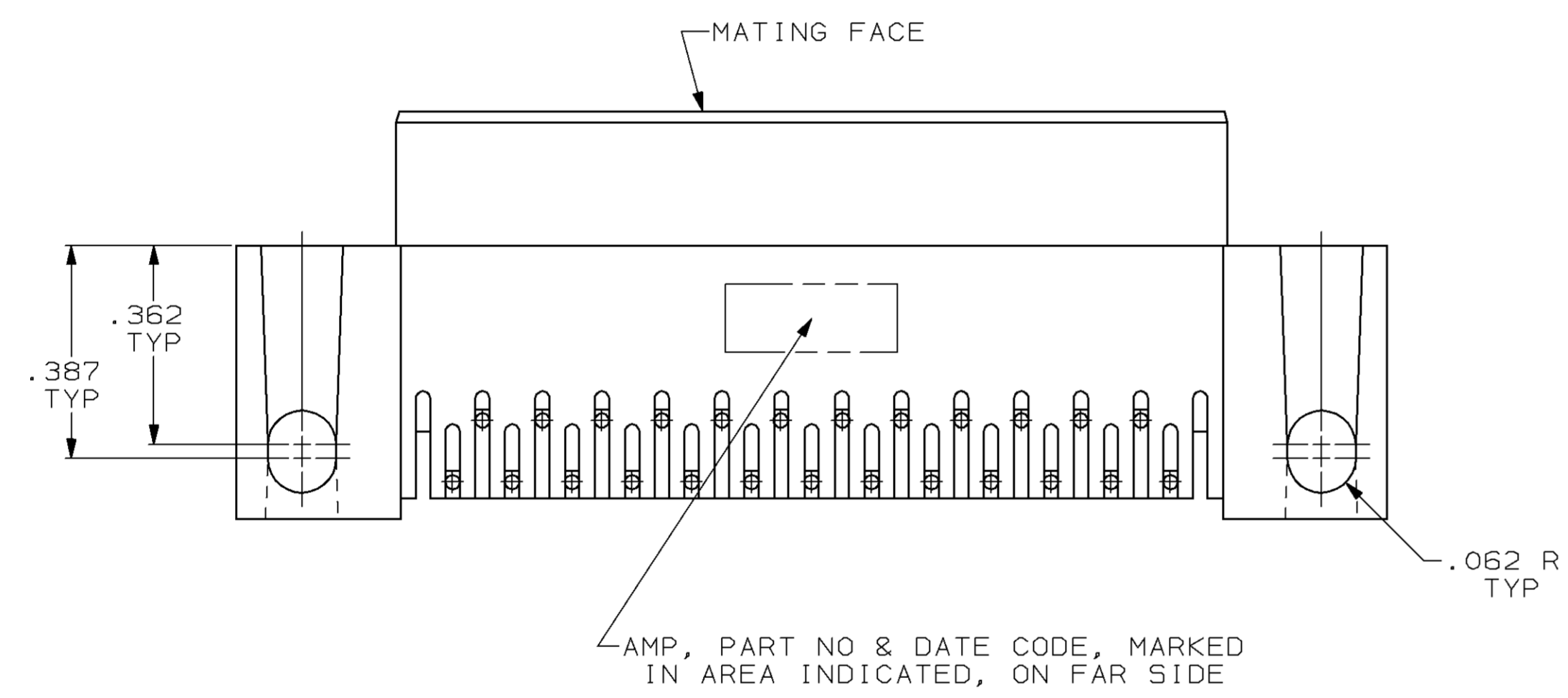
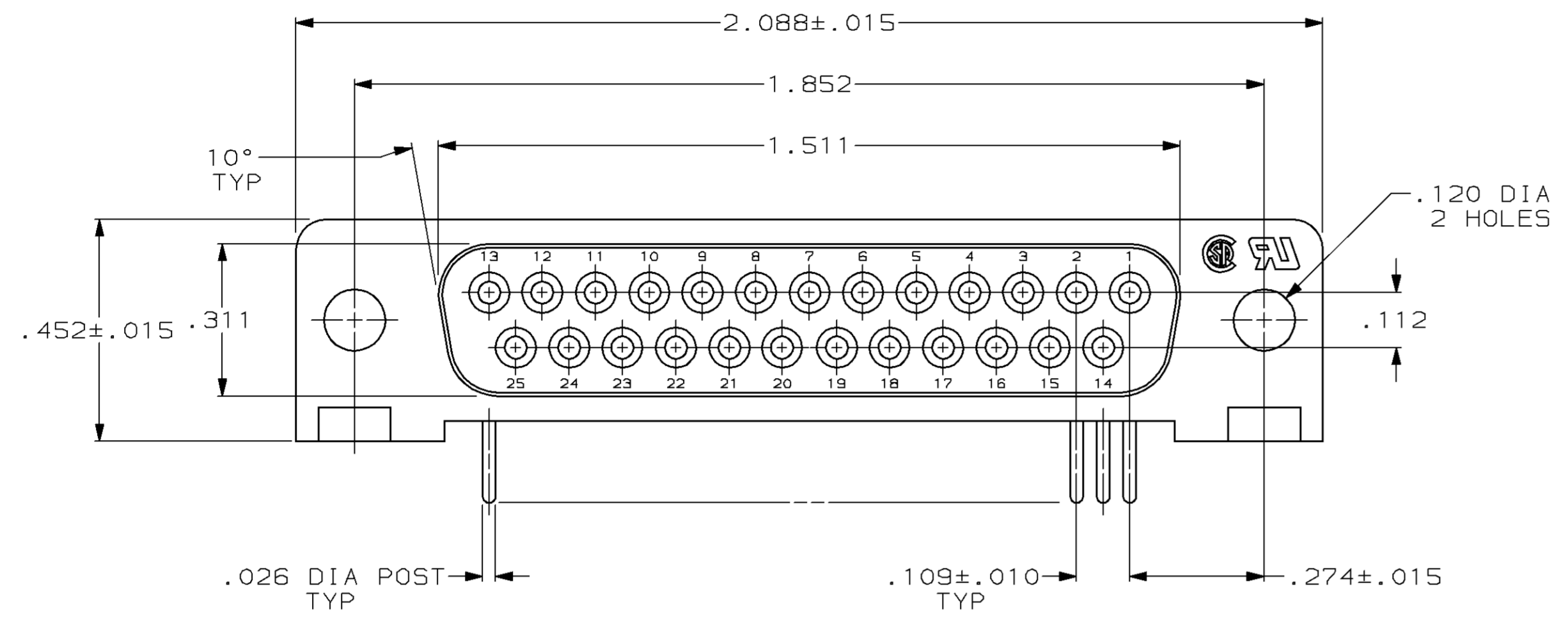


DRAWING MADE IN THIRD ANGLE PROJECTION
 THIS DRAWING IS UNPUBLISHED. RELEASED FOR PUBLICATION
 © COPYRIGHT 19 BY AMP INCORPORATED, HARRISBURG, PA. ALL INTERNATIONAL RIGHTS RESERVED. AMP PRODUCTS MAY BE COVERED BY U.S. AND FOREIGN PATENTS AND/OR PATENTS PENDING.

LOC		DIST		REV		ZONE		LTR		DESCRIPTION		DATE	APPD
BD	77									D	REV PER EC 0020-1448-95	10 JAN 86	RLT
										E	SUPSD -1 PER EC 0020-570-96	27 FEB 87	RT



RECOMMENDED P.C. BOARD MOUNTING DIMENSIONS $\triangle 3$

- $\triangle 1$ FLAME RETARDANT, 94V-0 RATED, GLASS FILLED NYLON OR POLYESTER, COLOR: BLACK.
- $\triangle 2$ PHOS. BRONZE PER QQ-B-750.
- $\triangle 3$ REFER TO APPLICATION SPEC FOR RECOMMENDED P.C. BOARD MOUNTING DIMENSIONS FOR AUTOMATIC INSERTION.
- $\triangle 4$ GOLD PLATING PER MIL-G-45204, TIN PLATING PER MIL-T-10727, NICKEL PLATING PER QQ-N-290.
- $\triangle 5$ PLATED WITH GOLD FLASH FOR LENGTH OF .055 MIN FROM MATING END, WITH POINT OF MEASUREMENT .035 FROM MATING END OF CONTACT, .000100-.000200 TIN OR TIN-LEAD ON SOLDER END, ALL OVER .000050 NICKEL ON ENTIRE CONTACT.
- $\triangle 6$ PLATED WITH .000030 GOLD FOR LENGTH OF .055 MIN FROM MATING END, WITH POINT OF MEASUREMENT .035 FROM MATING END OF CONTACT, .000100-.000200 TIN OR TIN-LEAD ON SOLDER END, ALL OVER .000050 NICKEL ON ENTIRE CONTACT.

SUPSD BY 745132-2	$\triangle 6$	745132-2
	$\triangle 5$	745132-1
	FINISH	PART NUMBER

UNLESS OTHERWISE SPECIFIED DIMENSIONS ARE IN INCHES TOLERANCES ON:		DR 4-7-87 S. WELDON	AMP INCORPORATED Harrisburg, Pa. 17105
2 PL DEC ± .005 3 PL DEC ± .005 ANGLES ± 2°		CHK 4-14-87 C. RICHARD	
MATERIAL	MOLDED PARTS: $\triangle 1$ CONTACTS: $\triangle 2$	APPD 4-27-87 B. TAYLOR	NAME RECEPTACLE ASSY, SIZE 3, 25 POSN, RIGHT ANGLE, .318 SERIES, .026 DIA POSTS, AMPLIMITE® HD-20
FINISH $\triangle 4$	CONTACTS: SEE TABLE	APPD 5-5-87 J. ASSINI	PRODUCT SPEC 108-40005
SCALE 4:1	SIZE D	APPLICATION SPEC 114-40015	FSCM NO 00779
		WEIGHT -	DRAWING NO 745132
			SHEET 1 of 1

单击下面可查看定价，库存，交付和生命周期等信息

[>>TE Connectivity\(泰科\)](#)