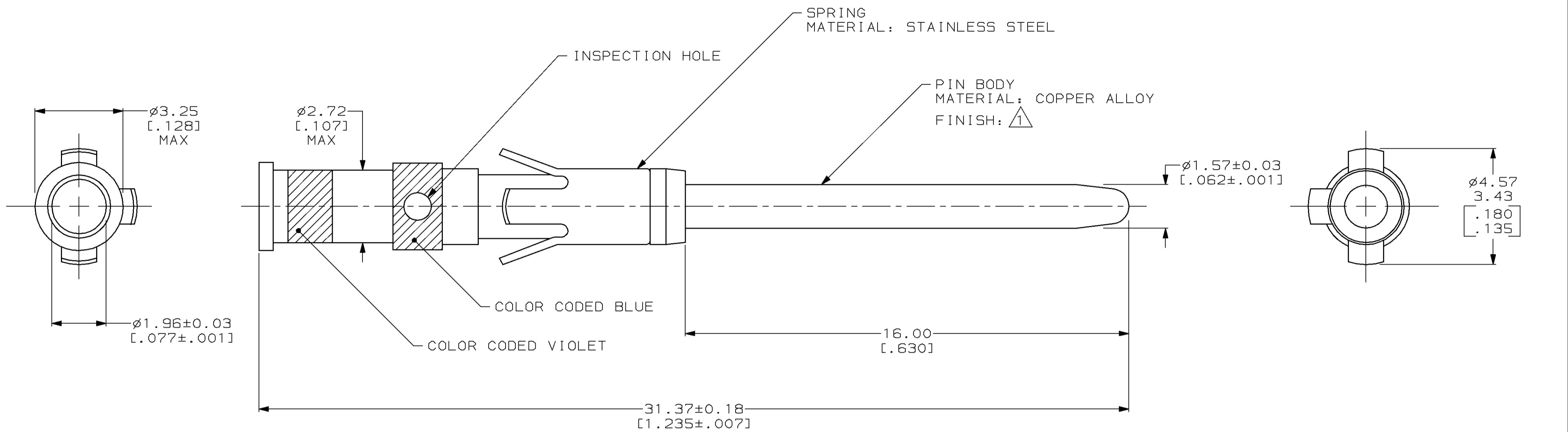
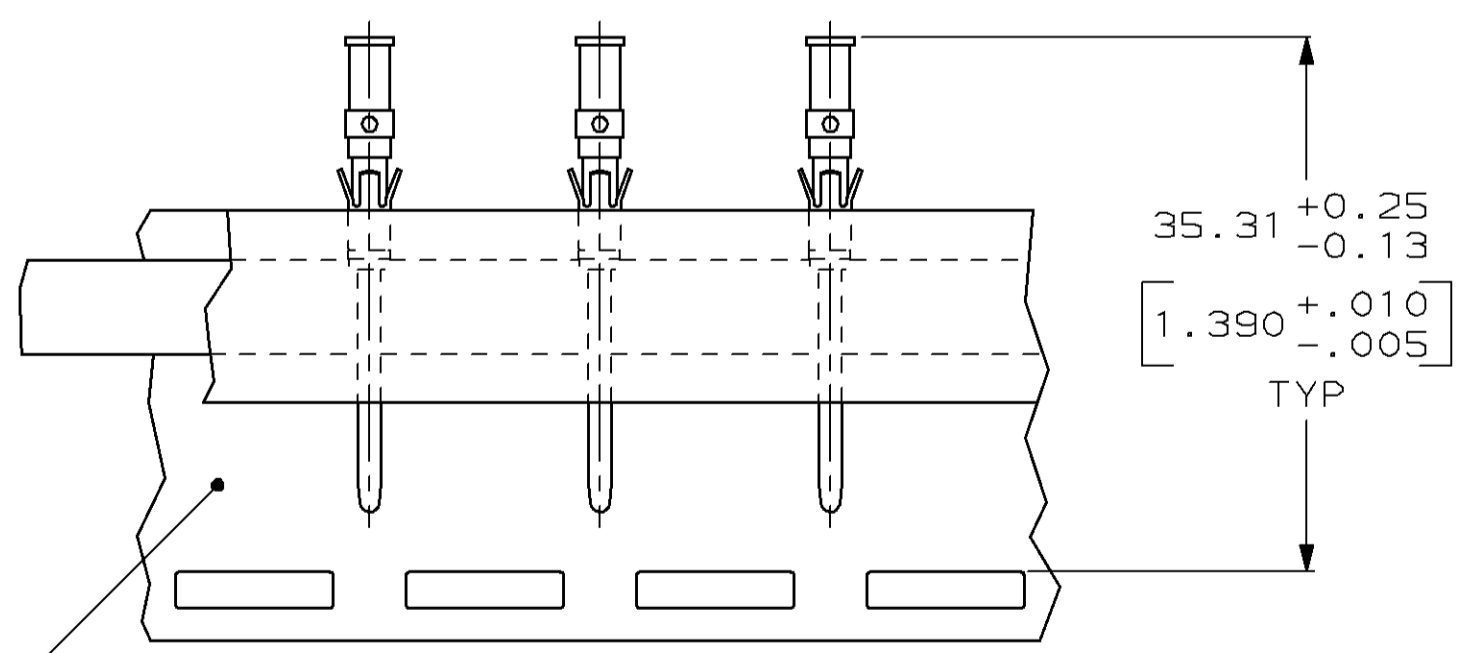


THIS DRAWING IS UNPUBLISHED. RELEASED FOR PUBLICATION  
 BY AMP INCORPORATED. ALL RIGHTS RESERVED.

REVISIONS				DATE	DWN	APVD
P	LTR	DESCRIPTION				
D		REDRAWN W/O CHANGE PER EC 0320-109-96	26 NOV 97	-	-	-



$\Delta 1$  0.76 $\mu$ m [.000030] MIN GOLD OVER 1.27 $\mu$ m [.000050] MIN NICKEL.



MYLAR TAPE

TAPE MTG DETAIL  
SCALE 2:1

TAPE MTD	212618-2
STANDARD	212618-1
PACKAGING TYPE	PART NUMBER

THIS DRAWING IS A CONTROLLED DOCUMENT.		DWN B. CARBO	26 NOV 97	<b>AMP</b> AMP Incorporated Harrisburg, PA 17105-3608
DIMENSIONS: mm (INCHES)		CHK R. STONE	10 DEC 97	
TOLERANCES UNLESS OTHERWISE SPECIFIED:		APVD G. STEINHAUER	06 JAN 98	CONTACT ASSEMBLY, PIN, #16, TYPE II
0 PLC $\pm$ -		PRODUCT SPEC	-	
1 PLC $\pm$ -		APPLICATION SPEC	-	SIZE
2 PLC $\pm 0.13$ [.005]		WEIGHT	-	CAGE CODE
3 PLC $\pm$ -		CUSTOMER DRAWING	A2	00779
4 PLC $\pm$ -		SCALE	10:1	DRAWING NO
ANGLES $\pm$ -		SHEET	1	OF
FINISH		REV	D	
SEE CALLOUTS				

212618

A

单击下面可查看定价，库存，交付和生命周期等信息

[>>TE Connectivity\(泰科\)](#)