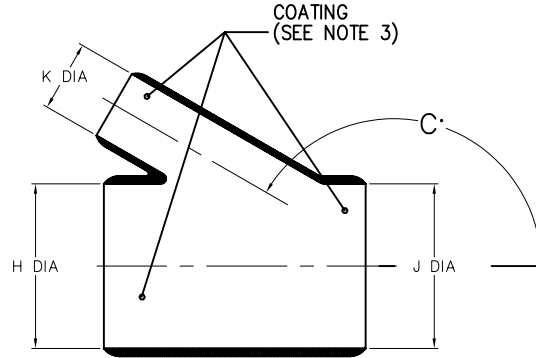


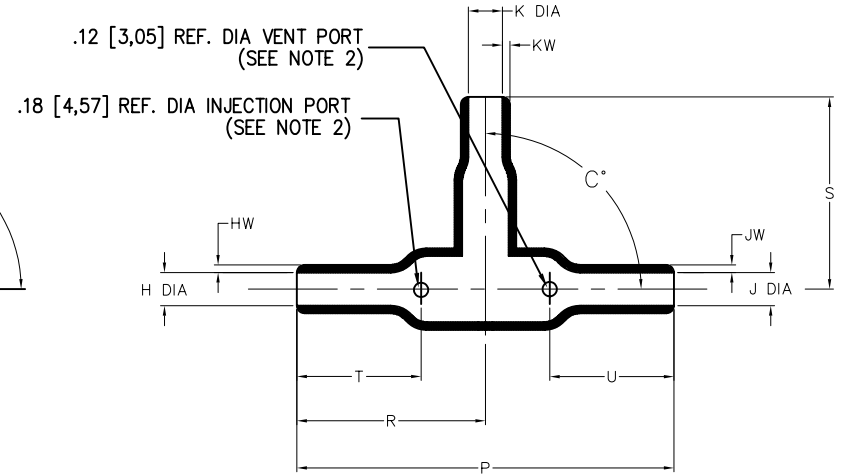
NOTES

- ALL DIMENSIONS ARE IN $\frac{\text{INCHES}}{[\text{MILLIMETERS}]}$
- DIMENSIONS APPEARING IN TABLE ARE AS FOLLOWS:
 - a - AS SUPPLIED
 - b - AFTER UNRESTRICTED RECOVERY
- COATING (ADHESIVE) IS OPTIONAL. AS SUPPLIED DIMENSIONS APPEARING IN TABLE ARE FOR UNCOATED PARTS. WHEN COATING IS ADDED, ENTRY DIAMETERS WILL BE REDUCED BY .06 MAX.
- MOLDING PORTS ARE OPTIONAL. WHEN -00 MODIFICATION NUMBER IS SPECIFIED MOLDING PORTS WILL BE LOCATED AS SHOWN.

REVISIONS		
LTR	DESCRIPTION	DATE
A	ECO-08-009707	04/17/2008



AS SUPPLIED



AFTER UNRESTRICTED RECOVERY

TABLE OF DIMENSIONS

PART DESCRIPTION	H & J		K		P	R	S	T	U	HW&JW	KW	C°	
	MIN	MAX	MIN	MAX	±10%	±10%	±10%	±10%	±10%	±20%	±20%	±10%	±5%
	a	b	a	b	b	b	b	b	b	b	b	a	b
322A434	$\frac{1.20}{[30,4]}$	$\frac{.60}{[15,3]}$	$\frac{.80}{[20,3]}$	$\frac{.40}{[10,2]}$	$\frac{3.25}{[82,6]}$	$\frac{1.62}{[41,1]}$	$\frac{1.50}{[38,1]}$	$\frac{1.23}{[31,2]}$	$\frac{1.23}{[31,2]}$	$\frac{.10}{[2,54]}$	$\frac{.077}{[1,96]}$	165	90

CUSTOMER DRAWING

UNLESS OTHERWISE SPECIFIED DIMENSIONS ARE INCHES. METRIC DIMENSIONS ARE IN BRACKETS.	DRAWN	DATE	Raychem Molded Parts 305 Constitution Dr Menlo Park, CA 94025
	UNGUYEN	04/17/2008	
DECIMAL TOLERANCES	RPN	TITLE TRANSITION, 90 DEGREE, SIDE BREAKOUT, THINWALL	
.XXX ± 0.005 [0.13 mm]	THIRD ANGLE PROJECTION		
.XX ± 0.01 [0.25 mm]		SIZE	CODE IDENT. NO.
.X ± 0.1 [0.50 mm]	B	06090	322A434
ANGLE TOLERANCE	© 2008 Tyco Electronics Corporation. All rights reserved.		
.X ± 1 DEG.	DO NOT SCALE THIS DRAWING		SHEET 1 DF 2

If this document is printed it becomes uncontrolled. Check for the latest revision

4

3

2

1

D

D

COMPATIBILITY CHART					
MATERIAL DASH NO.	MATERIAL DESCRIPTION	RT SPEC	COATING SLASH NO.	COATING SPEC	COATING DESCRIPTION
-3	POLYOLEFIN, SEMI-RIGID	RT-301	/42; /86	S-1017; S-1048	ADHESIVE
-4	POLYOLEFIN, FLEXIBLE	RT-1304	/164, /86	S-1017; S-1048	ADHESIVE
-5	ELASTOMER, FLEXIBLE	RT-501	/42,	S-1017	ADHESIVE
-6	SILICONE	RT-602	N/A		
-12	FLUOROELASTOMER	RT-1312	N/A		
-25	ELASTOMER, FLUID RESISTANT	RT-1325	/86	S-1048	ADHESIVE
-100	POLYOLEFIN, SEMI-FLEXIBLE ZEROHAL	RT-1323	/86; /180	S-1048; S-1030	ADHESIVE

C

C

D

D

ORDERING INFORMATION

322A434 -XX -XX /XX

BASE PART NUMBER _____

MATERIAL DASH NUMBER _____
(SEE COMPATIBILITY CHART)

MODIFICATION NUMBER _____

ADHESIVE SLASH NUMBER _____
(IF NECESSARY, SEE COMPATIBILITY CHART)

B

B

A

A

If this document is printed it becomes uncontrolled. Check for the latest revision

CUSTOMER DRAWING

SIZE	DWG. NO.	REV	DWG. NO.	322A434
B	06090	A		
DO NOT SCALE THIS DRAWING				SHEET 2 OF 2

4

3

2

1

单击下面可查看定价，库存，交付和生命周期等信息

[>>TE Connectivity\(泰科\)](#)