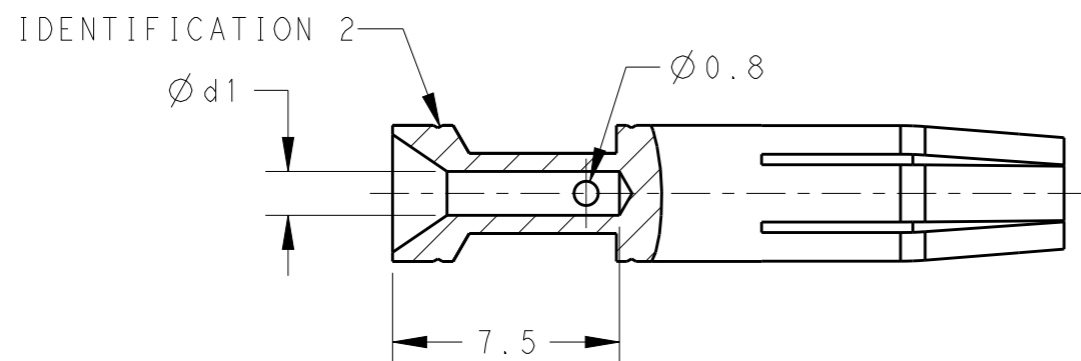
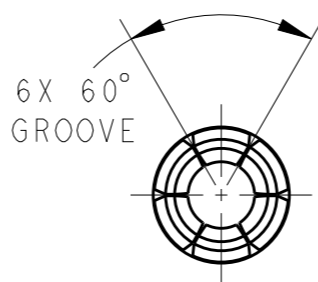
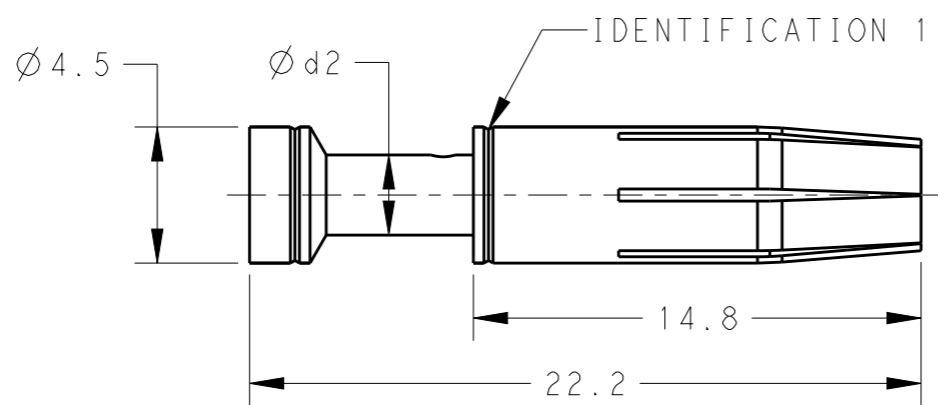
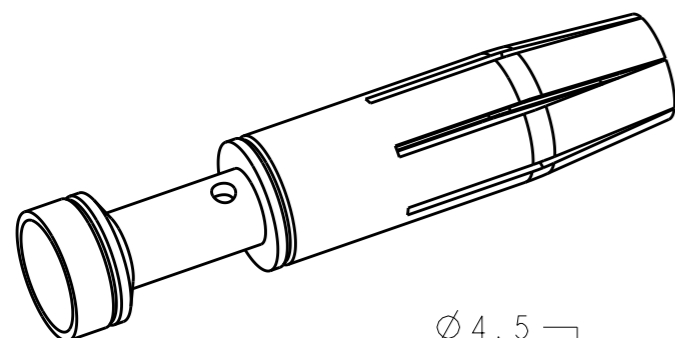


THIS DRAWING IS UNPUBLISHED. RELEASED FOR PUBLICATION 20  
 © COPYRIGHT 20 BY - ALL RIGHTS RESERVED.

REVISIONS					
P	LTR	DESCRIPTION	DATE	DWN	APVD
	A	INITIAL	18JUN2014	DW	CW
	A1	ECR-15-009407	01JUN2015	DW	CW



NOTES:  
 1. TECHNICAL CHARACTERISTICS:  
 CONTACT MATERIAL: BRASS  
 SURFACE PLATING:  
 SILVER PLATING:  $\geq 2\mu\text{m}$   
 GOLD PLATING:  $\geq 0.75\mu\text{m}$   
 CONTACT RESISTANCE:  $\leq 5\text{ m}\Omega$   
 WIRE RANGE: 0.14-4 mm<sup>2</sup> (26-12 AWG)  
 OPERATION TEMPERATURE: -40-+125°C

注释:  
 1. 技术参数:  
 母针材料: 黄铜  
 表面电镀:  
 镀银:  $\geq 2\mu\text{m}$   
 镀金:  $\geq 0.75\mu\text{m}$   
 接触电阻:  $\leq 5\text{ m}\Omega$   
 接线范围: 0.14-4 mm<sup>2</sup> (26-12 AWG)  
 工作温度: -40-+125°C

	PART NUMBER		d1	d2	WIRE GAUGE		STRIPPING LENGTH (mm)	IDENTIFICATION 1 (NUMBER OF GROOVES)	IDENTIFICATION 2 (NUMBER OF GROOVES)
	SILVER PLATING	GOLD PLATING			MM <sup>2</sup>	AWG			
SOCKET CONTACT	T2030002002-000	T2030012002-000	0.90	2.50	0.14-0.37	26-22	7.5	1 GROOVE	1 GROOVE
	T2030002005-000	T2030012005-000	1.15	2.50	0.5	20		NO GROOVE	NO GROOVE
	T2030002008-000	T2030012008-000	1.30	2.50	0.75	18		NO GROOVE	1 GROOVE
	T2030002010-000	T2030012010-000	1.45	2.65	1.0	18		1 GROOVE	NO GROOVE
	T2030002015-000	T2030012015-000	1.75	3.00	1.5	16		2 GROOVES	NO GROOVE
	T2030002025-000	T2030012025-000	2.25	3.45	2.5	14		3 GROOVES	NO GROOVE
	T2030002030-000	T2030012030-000	2.55	3.75	3.0	12		1 WIDE GROOVE	1 GROOVE
	T2030002040-000	T2030012040-000	2.85	3.85	4.0	12		NO GROOVE	NO GROOVE

THIS DRAWING IS A CONTROLLED DOCUMENT.

DWN	18JUN2014	 TE Connectivity	
CHK	18JUN2014		
APVD	18JUN2014		
PRODUCT SPEC	108-106137		
APPLICATION SPEC	114-106137	NAME	CEF/DEF HEE SOCKET CONTACT
WEIGHT	-	SIZE	A3
Customer Drawing	SCALE	CAGE CODE	00779
	4:1	DRAWING NO	T20300X20XX000
		RESTRICTED TO	-
		SHEET	1 OF 1
		REV	A1

单击下面可查看定价，库存，交付和生命周期等信息

[>>TE Connectivity\(泰科\)](#)