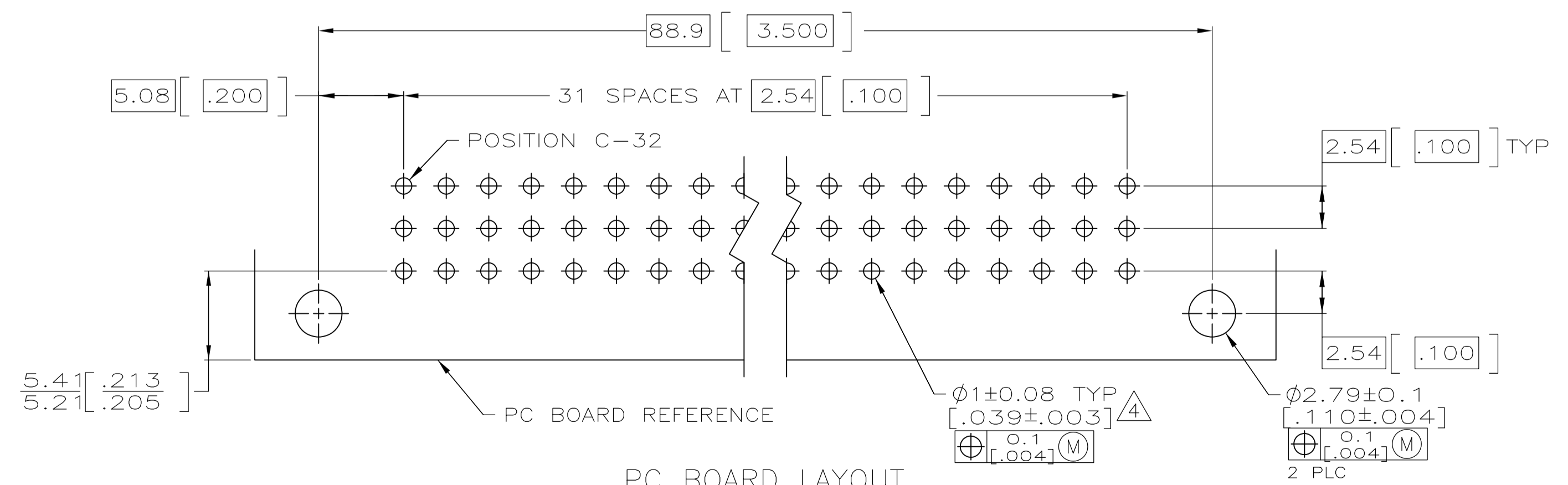
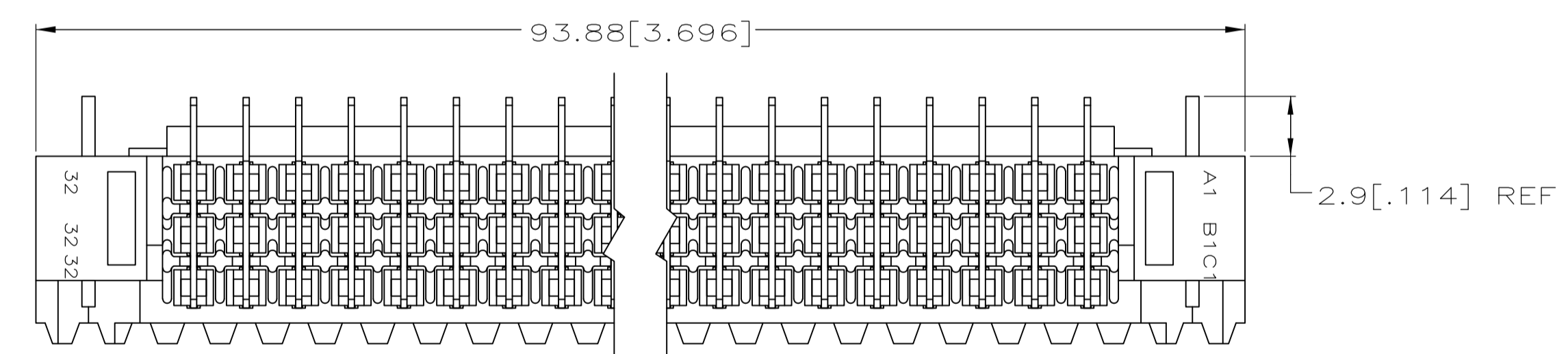
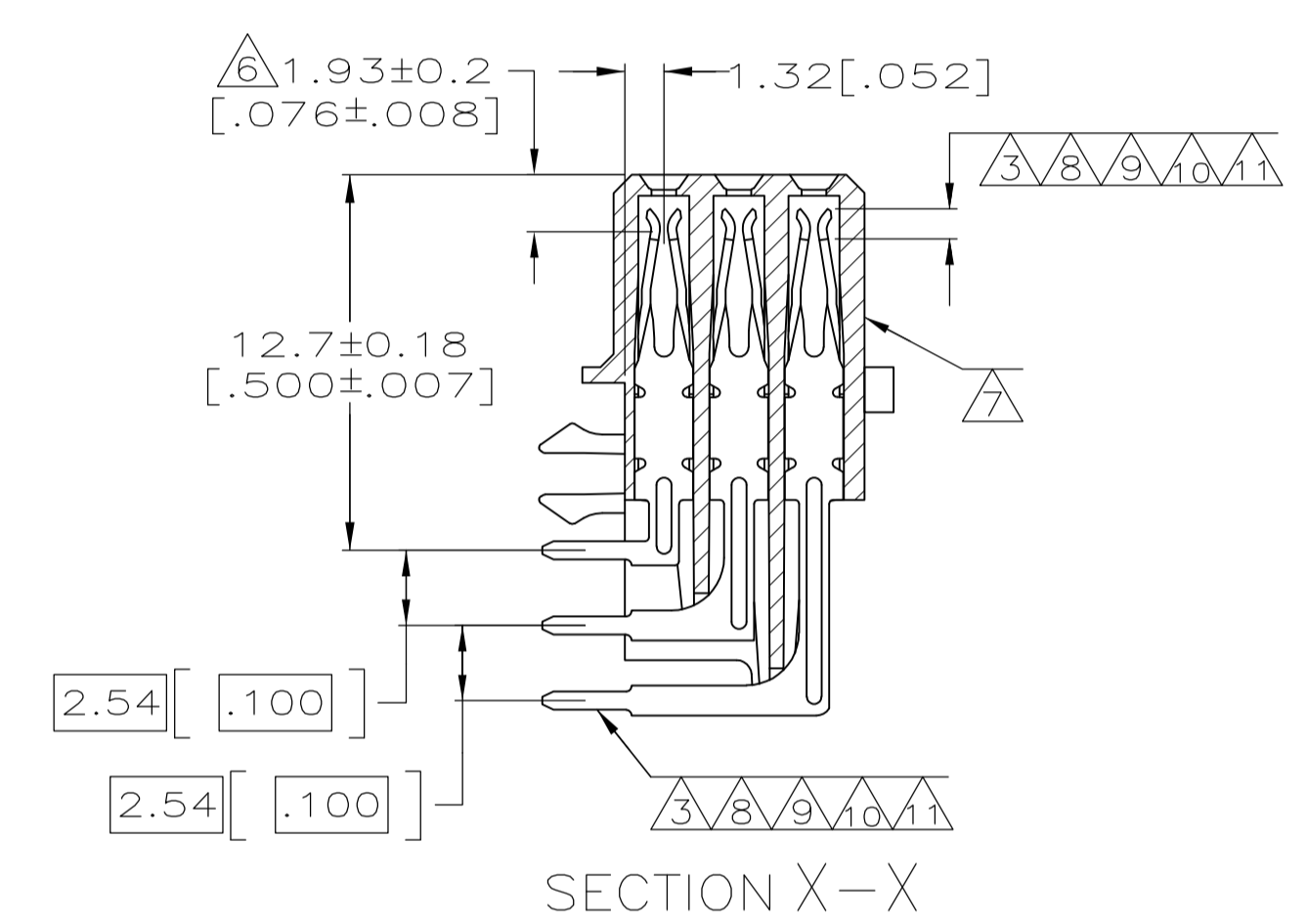
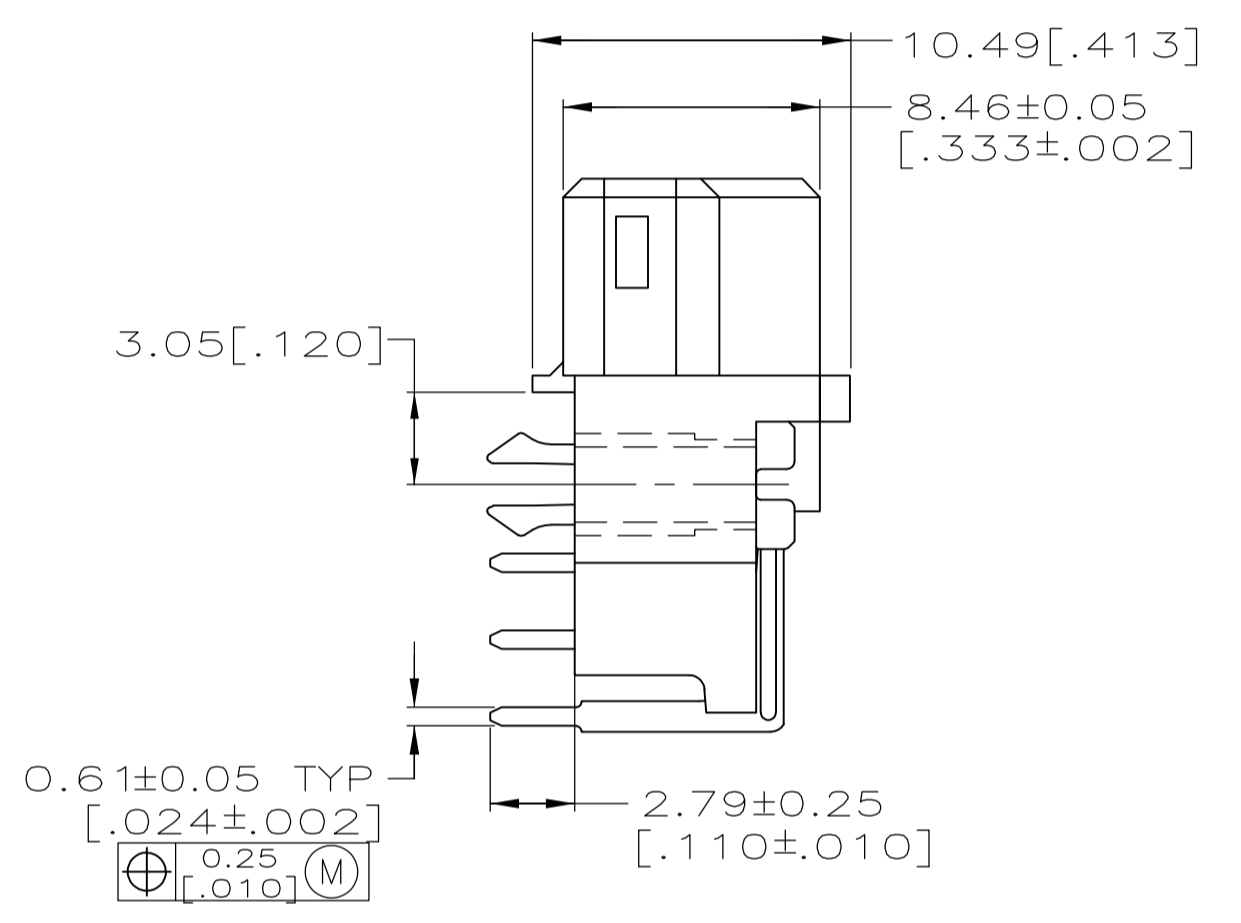
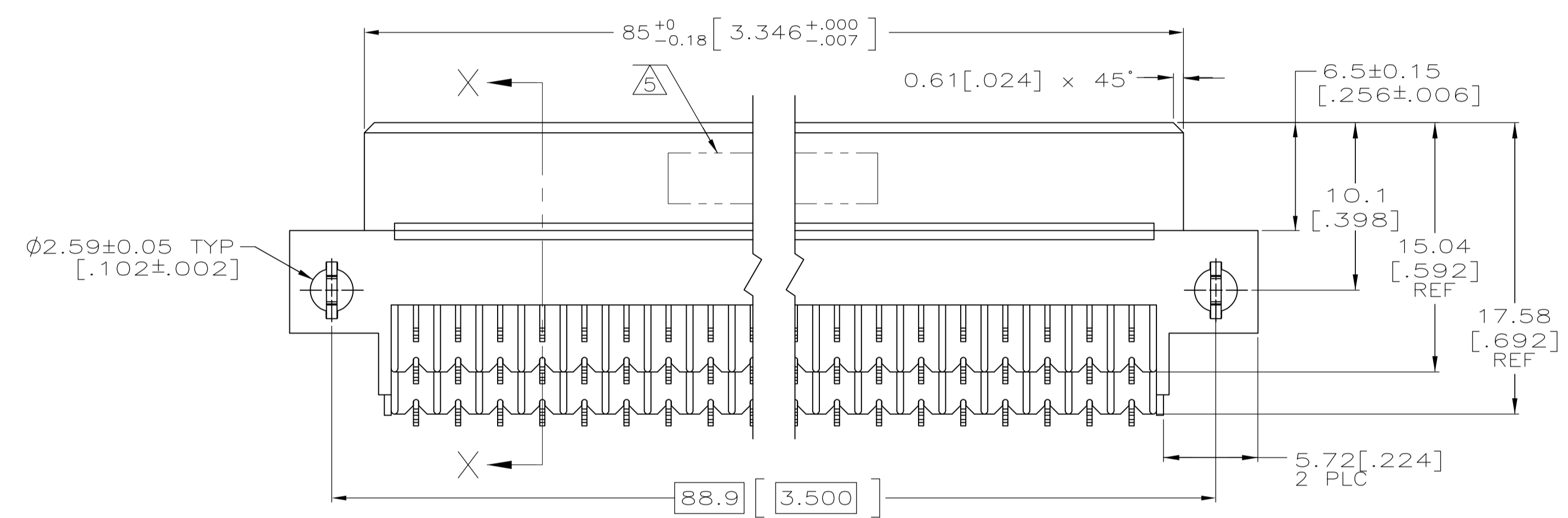
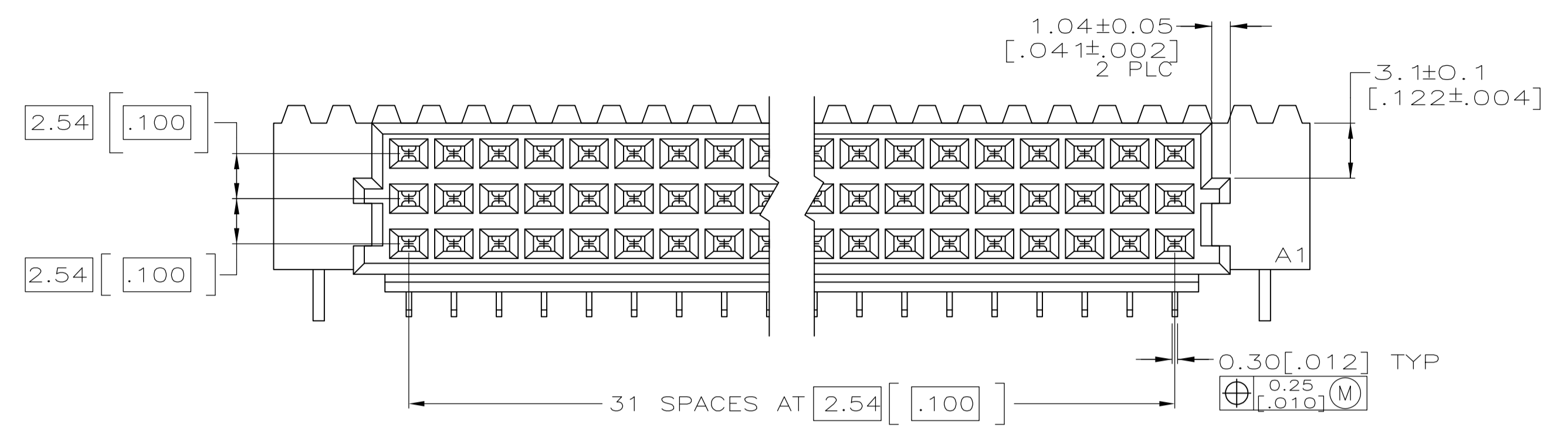


REVISIONS					
P	LTR	DESCRIPTION	DATE	DMN	APVD
T		REVISED PER ECO-16-012290	19AUG2016	SY	SY



- 1 HOUSING MATERIAL: GLASS-FILLED POLYESTER. COLOR: GRAY.
- 2 CONTACT MATERIAL: PHOSPHOR BRONZE.
- 3 CONTACT FINISH: 0.00076 [.000030] GOLD IN CONTACT AREA. 0.00127 [.000050] NICKEL UNDERPLATE ALL OVER. TIN-LEAD ON POSTS.
- 4 RECOMMENDED HOLE SIZE FOR MANUAL APPLICATION OF CONNECTOR ONTO PC BOARD.
- 5 PART NUMBER, DATE CODE IDENTIFICATION, CSA LOGO HOT-STAMPED THIS APPROXIMATE AREA.
- 6 CONTACT POINT.
- 7 HOT-STAMPING ON THIS SIDE.
- 8 CONTACT FINISH: CONFIRMS TO PERFORMANCE REQUIREMENT OF DIN 41612 CLASS 3 IN CONTACT AREA, 0.00127 [.000050] NICKEL UNDERPLATE ALL OVER, TIN-LEAD ON POSTS.
- 9 CONTACT FINISH: CONFIRMS TO PERFORMANCE REQUIREMENT OF DIN 41612 CLASS 2 IN CONTACT AREA, 0.00127 [.000050] NICKEL UNDERPLATE ALL OVER, TIN-LEAD ON POSTS.
- 10 CONTACT FINISH: 0.00076 [.000030] GOLD IN CONTACT AREA. 0.00127 [.000050] NICKEL UNDERPLATE ALL OVER. TIN ON POSTS.
- 11 CONTACT FINISH: CONFIRMS TO PERFORMANCE REQUIREMENT OF DIN 41612 CLASS 2 IN CONTACT AREA, 0.00127 [.000050] NICKEL UNDERPLATE ALL OVER, TIN ON POSTS.

REVISION	DESCRIPTION	DATE	DMN	APVD		
1	1 THRU 32	X	X	X	96	7-650895-5
2	1 THRU 32	X	X	X	96	7-650895-4
3	1 THRU 32	X	X	X	96	650895-9
4	1 THRU 32	X	X	X	96	650895-5
5	1 THRU 32	X	X	X	96	650895-4

THIS DRAWING IS A CONTROLLED DOCUMENT.

APPROVED BY: L. BRINER, N. DRASHER, K. PARMER

DATE: 10/18/90, 11/11/90, 11/20/90

NAME: RECEPTACLE ASSEMBLY, EUROCARD, TYPE R WITH BOARD LOCKS, 96 POSITION

SIZE: A1, CASE CODE: 00779, DRAWING NO: 650895

WEIGHT: 0.000000

CUSTOMER DRAWING

SCALE: 4:1, SHEET: 1 OF 1, REV: T

单击下面可查看定价，库存，交付和生命周期等信息

[>>TE Connectivity\(泰科\)](#)