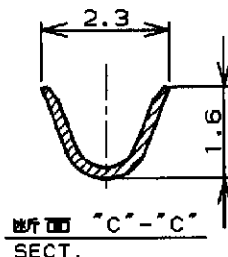
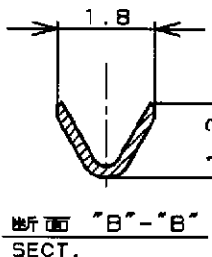
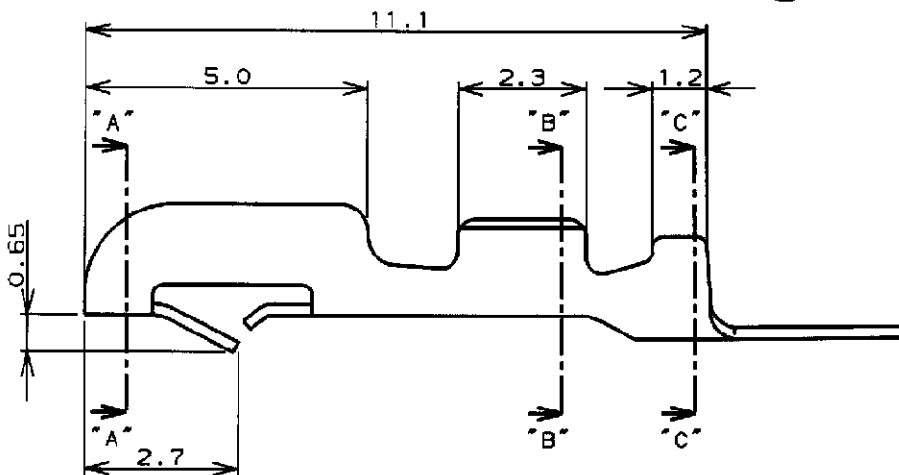
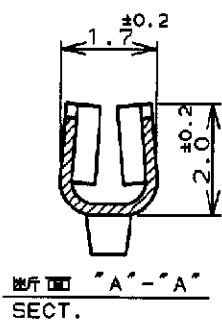
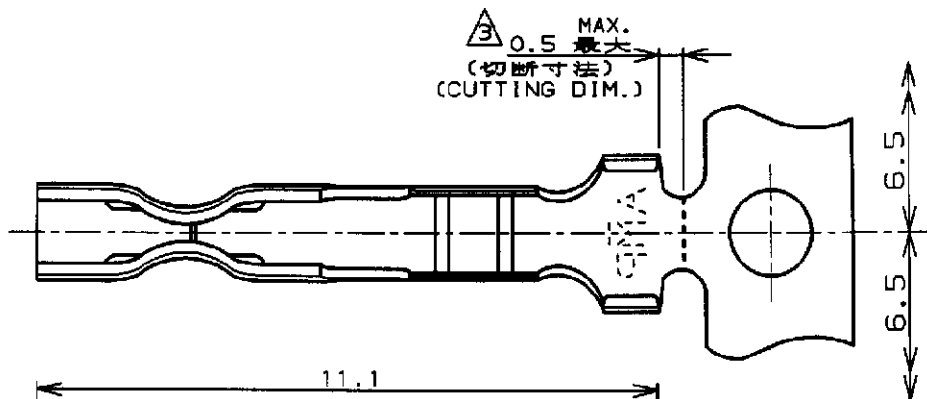


LOC	DIST	REVISIONS						
		P	LTR	DESCRIPTION	ECN	DATE	DWN	APVD
J			F	REDRAWN	FJ00-1640-97	31.OCT.'97	H.H	SK



NOTES:

- HOUSINGS, P/N:171822 AND 171880 ARE USED.
- L/P CONTACT P/N:170205-2.
- HAND TOOL P/N:722561-1.

注記:

- 使用ハウジングは製品型番:171822及び171880.
- L/P端子 製品型番:170205-2.
- 適用手動工具 製品型番:722561-1.

THIS DRAWING IS UNPUBLISHED.
BY AMP INCORPORATED. ALL RIGHTS RESERVED.
COPYRIGHT 19

WIRE RANGE 適合電線断面種 0.05~0.15mm ² (AWG30~26)	INSULATION DIA 被覆外径 1.0~1.4mm
--	-------------------------------------

MATERIAL PHOS BR 材料 0.2mm THICKNESS	FINISH 仕上 PRE-TIN
--	----------------------

AMP

Kawasaki, Japan

NAME
名称 コンタクト (AMP EI シリーズ コネクタ)
CONTACT (AMP EI SERIES CONNECTOR)

SIZE A	CAGE CODE 00779	DRAWING NO 番号 C-170263-2
-----------	--------------------	--------------------------------

CUSTOMER DRAWING	SCALE 尺度 8-1	SHEET 1 OF 1	REV F
------------------	-----------------	-----------------	----------

DIMENSIONS
単位 概 ㎜

TOLERANCES UNLESS OTHERWISE SPECIFIED.
一般公差

10	±0.4
30	±0.4
100	±0.4
ANGLE	±1°0'

DWN H. Hashimoto 31.OCT.'97	MATERIAL PHOS BR
CHK A. Takigawa 31.OCT.'97	FINISH PRE-TIN
APVD S. Kubouchi 4.NOV.'97	AMP
PRODUCT SPEC 製品規格	108-5118
APPLICATION SPEC 取付適用規格	114-5035
WEIGHT	---
CUSTOMER DRAWING	

单击下面可查看定价，库存，交付和生命周期等信息

[>>TE Connectivity\(泰科\)](#)