

THIS DRAWING IS UNPUBLISHED. RELEASED FOR PUBLICATION 20
 © COPYRIGHT 20 BY TYCO ELECTRONICS CORPORATION. ALL RIGHTS RESERVED.

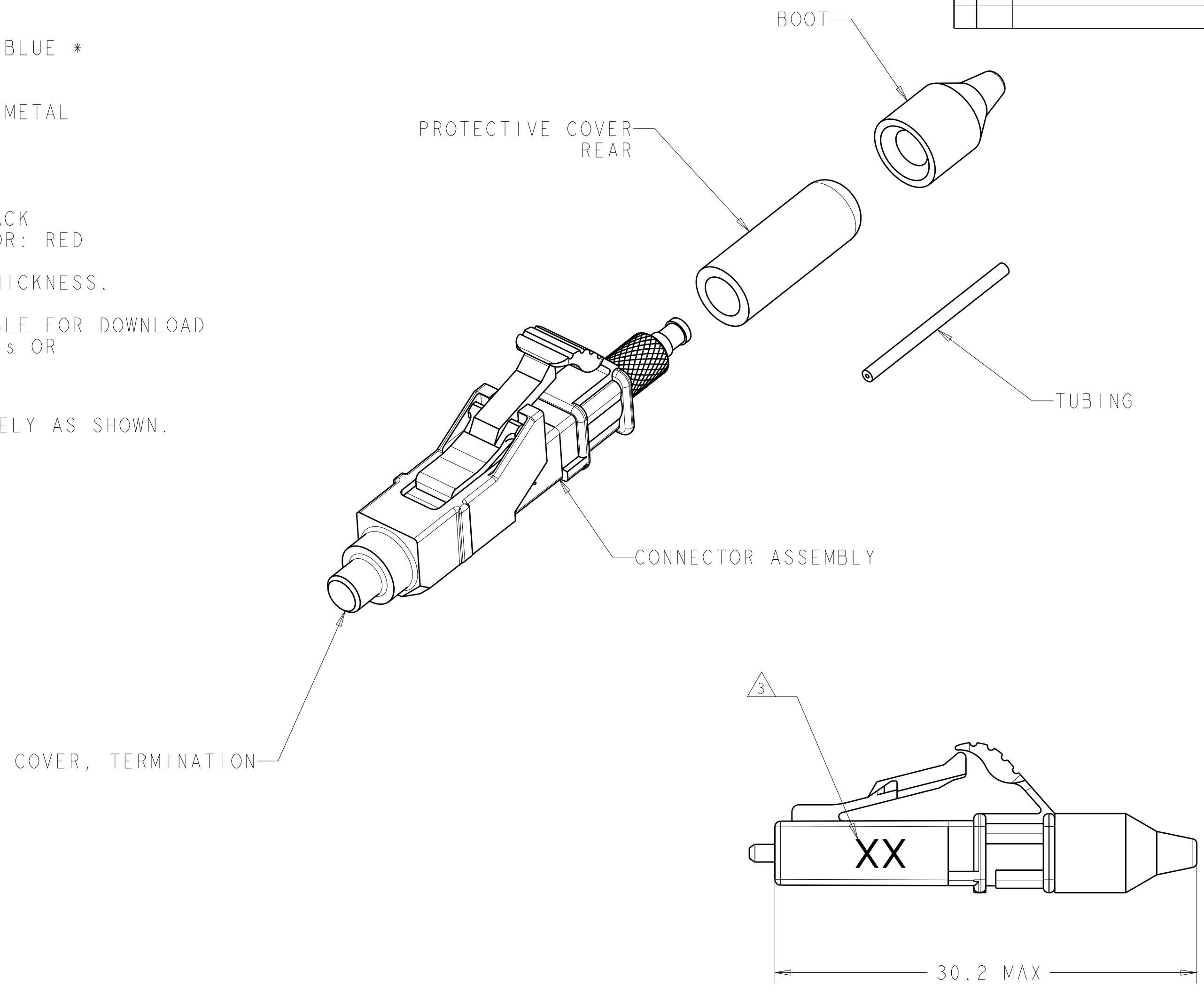
LOC	DIST	REVISIONS			
P	LTR	DESCRIPTION	DATE	DWN	APVD
CE	00				
	C	REV PER ECR-08-031840	18DEC2008	DDE	CB
	C1	REVISE NOTE 2	12MAR2009	BB	SB
	C2	REVISE PLUNGER VIEW	09APR2009	KG	CB

1 MATERIAL:
 CONNECTOR ASSEMBLY:
 CONNECTOR HOUSING: PPSU, COLOR: BLUE *
 REAR BODY: METAL
 COMPRESSION SPRING: METAL
 FERRULE SUB ASSEMBLY: ZIRCONIA/ METAL
 INTERNAL SPLICE: PEI *
 PLUNGER: METAL
 BOOT: TPE, COLOR: BLUE
 BUILD-UP TUBE: TPE
 TERMINATION COVER: PBT, COLOR: BLACK
 REAR PROTECTIVE COVER: VINYL, COLOR: RED

* UL 94 V-0 RATED AT QUALIFYING THICKNESS.

2. INSTRUCTION SHEET: 408-8925 AVAILABLE FOR DOWNLOAD
 AT www.tycoelectronics.com/documents OR
www.ampnetconnect.com/foguide.

3 MARK WITH "SM" LOCATED APPROXIMATELY AS SHOWN.



6754482-1
 PART NO.

<small>THIS DRAWING IS A CONTROLLED DOCUMENT FOR TYCO ELECTRONICS CORPORATION IT IS SUBJECT TO CHANGE AND THE CONTROLLING ENGINEERING ORGANIZATION SHOULD BE CONTACTED FOR THE LATEST REVISION.</small>		DWN D. ERDMAN 02DEC2005 CHK M. GURRER 02DEC2005 APVD D. BAECHTLE 02DEC2005	Tyco Electronics Tyco Electronics Harrisburg, PA 17105-3608
DIMENSIONS: mm 	TOLERANCES UNLESS OTHERWISE SPECIFIED: 0 PLC ±- 1 PLC ±0.5 2 PLC ±0.13 3 PLC ±0.013 4 PLC ±0.0001 ANGLES ±- FINISH	PRODUCT SPEC APPLICATION SPEC WEIGHT	NAME KIT, CONNECTOR, LightCrimp Plus LC SIMPLEX, SM, 250-900um BUFFER
MATERIAL			SIZE A2 CAGE CODE 00779 DRAWING NO. 6754482 RESTRICTED TO
CUSTOMER DRAWING		SCALE 4:1	SHEET 1 OF 1 REV C2

单击下面可查看定价，库存，交付和生命周期等信息

[>>TE Connectivity\(泰科\)](#)