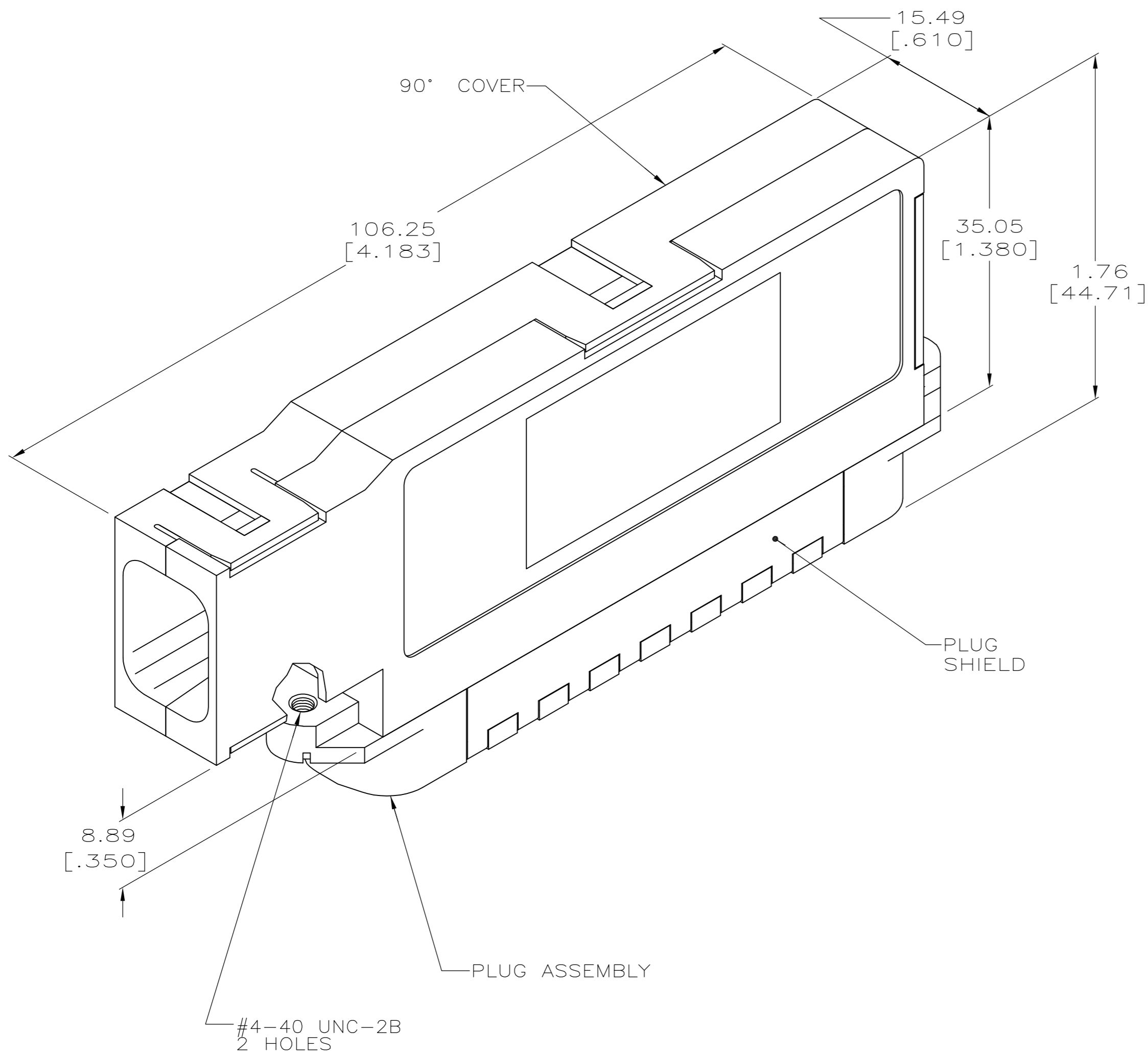


THIS DRAWING IS UNPUBLISHED. RELEASED FOR PUBLICATION
 © COPYRIGHT BY TYCO ELECTRONICS CORPORATION. ALL RIGHTS RESERVED.

LOC	DIST	REVISIONS			
P	LTR	DESCRIPTION	DATE	DWN	APVD
GP	00				
	D	REVISED PER ECO-08-007327	05SEP08	BM	WM



1. THIS DRAWING SHOWN ASSEMBLED, BUT SHIPPED NOT ASSEMBLED.
2. MATERIAL: HOUSING - POLYPHENYLENE OXIDE, BLACK.
SHIELDS - CARBON STEEL PLATED WITH 5.1µm [.000200] MINIMUM NICKEL.
COVERS - ABS MOLDING COMPOUND, PLATED WITH 0.51µm [.000020] MINIMUM ELECTROLYTIC NICKEL OVER 5.1µm [.000200] MINIMUM ELECTROLYTIC COPPER OVER 0.25µm [.000010] MINIMUM ELECTROLESS NICKEL.
TERMINAL - PHOSPHOROUS BRONZE PLATED WITH 0.76µm [.000030] MIN GOLD OR GOLD FLASH OVER PALLADIUM NICKEL PLATE, 0.76µm [.000030] MIN TOTAL ON MATING SURFACE. 1.27µm [.000050] MIN NICKEL UNDERPLATE OVER ENTIRE TERMINAL.
3. WIRE SIZE: 24-26 AWG SOLID OR 24 AWG 7-STRANDED COPPER CONDUCTORS. INSULATION DIAMETER OF 0.73-1.15 [.029-.045] IS ACCEPTABLE FOR MOST APPLICATIONS.
4. ALL DIMENSIONS SHOWN ARE MAXIMUM UNLESS OTHERWISE SPECIFIED.
5. CABLE RANGE: 11.43-13.97 [.450-.550] OUTSIDE DIAMETER.
6. CABLE RANGE: 13.97-17.78 [.550-.700] OUTSIDE DIAMETER.
7. WIRE SIZE: 22 AWG SOLID OR 7-STRANDED COPPER CONDUCTORS. INSULATION DIAMETER OF 1.14-1.22 [.045-.056] IS ACCEPTABLE FOR MOST APPLICATIONS.

OBSOLETE	BROWN	F	7	6	5406049-2
	BLUE	B	3	5	5406049-1
	DOT COLOR	SLOT SIZE	PART NUMBER		

THIS DRAWING IS A CONTROLLED DOCUMENT.		DWN	07DEC05	Tyco Electronics Corporation	
DIMENSIONS: mm [INCHES]		CHK	07DEC05	Harrisburg, PA 17105-3608	
TOLERANCES UNLESS OTHERWISE SPECIFIED:		APVD	07DEC05	NAME	
0 PLC	± -	PRODUCT SPEC	PLUG ASSEMBLY, 64 POSITION, SHIELDED, CHAMP		
1 PLC	± -	APPLICATION SPEC			
2 PLC	± -		SIZE	CAGE CODE	DRAWING NO
3 PLC	± -		A2	00779	C=5406049
4 PLC	± -		WEIGHT	RESTRICTED TO	
ANGLES	± -			-	
MATERIAL	FINISH	CUSTOMER DRAWING		SCALE	SHEET
2	2			2:1	1 of 1
			REV	D	

5406049

单击下面可查看定价，库存，交付和生命周期等信息

[>>TE Connectivity\(泰科\)](#)