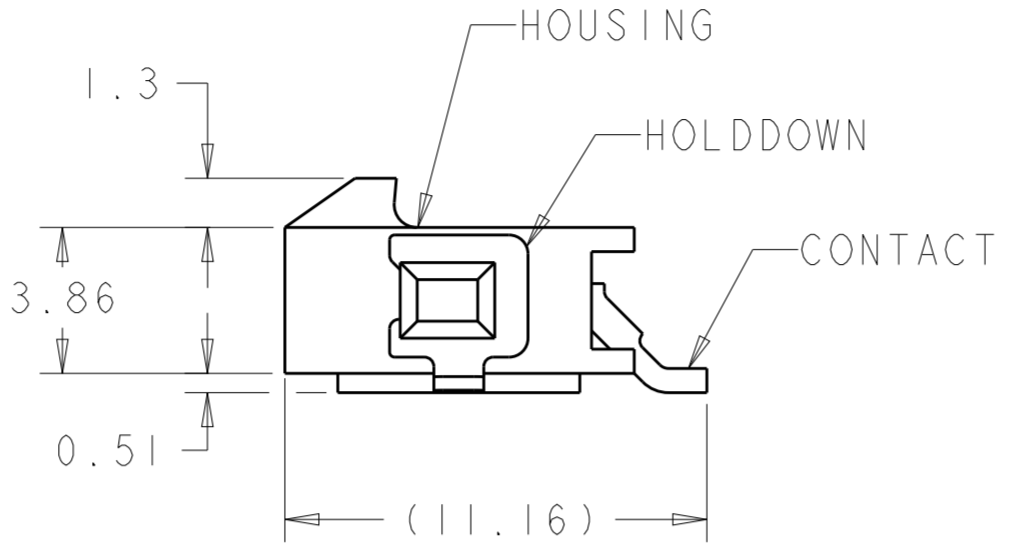
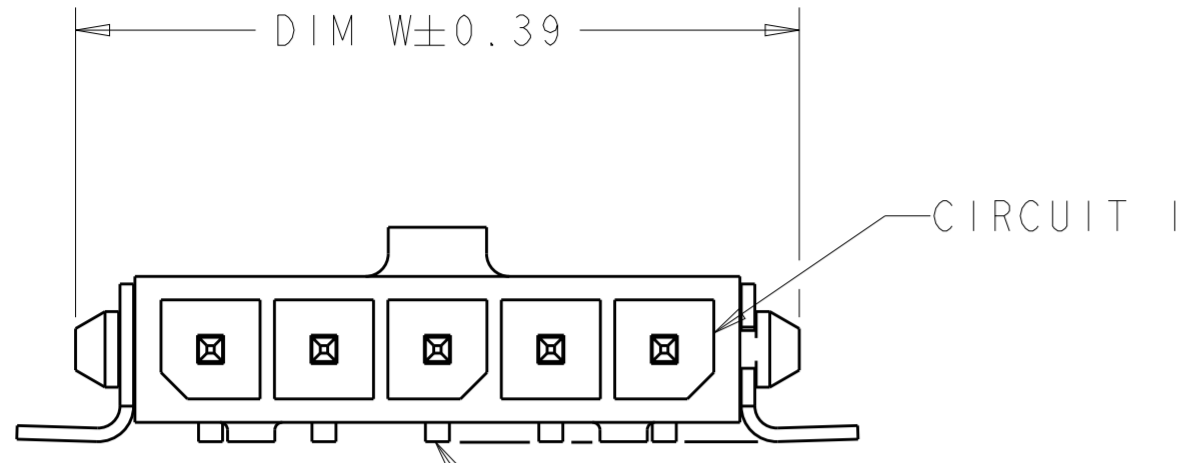
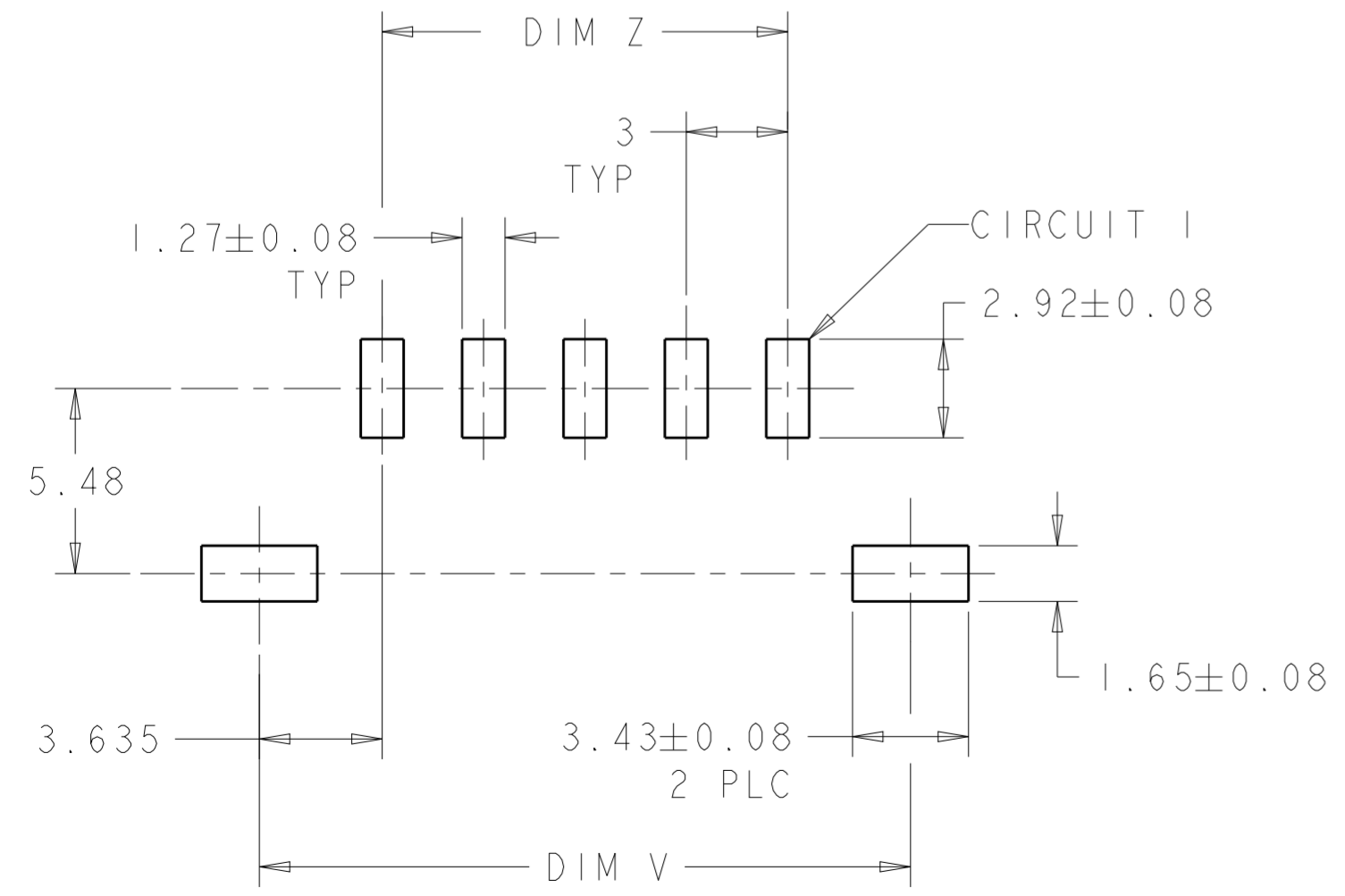
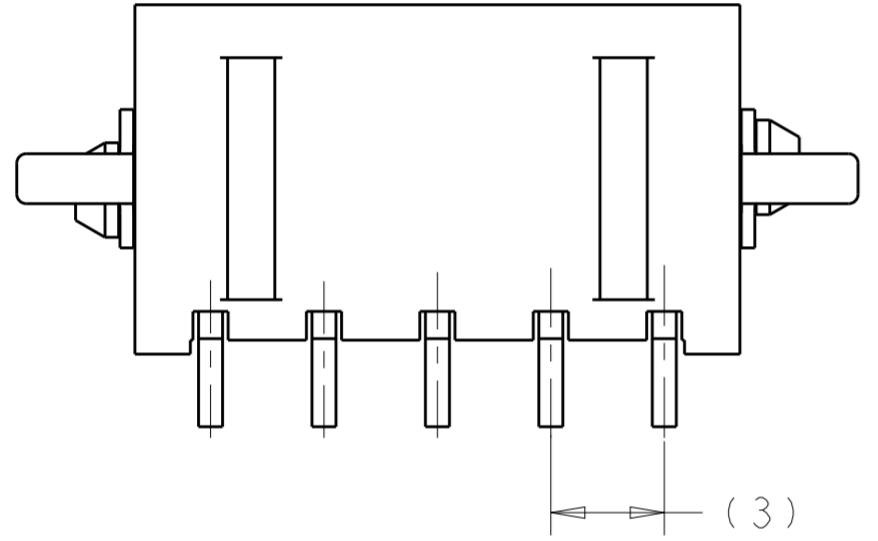


THIS DRAWING IS UNPUBLISHED. RELEASED FOR PUBLICATION 20
 © COPYRIGHT 20 ALL RIGHTS RESERVED.

LOC	DIST	REVISIONS					
CM	00	P	LTR	DESCRIPTION	DATE	DWN	APVD
		B		REVISED PER ECO-11-010355	08JUN2011	HMR	JR
		BI		ECO-19-006934	10MAY2019	AP	WS



0.15
 INCLUDES CONTACT TAILS, HOUSING STANDOFFS, AND BOARDLOCKS



PCB LAYOUT COMPONENT SIDE 3

- 1 MATERIAL: CONTACTS - BRASS
 HOUSING - UL 94V-0 RATED HIGH TEMP NYLON, COLOR NATURAL.
 HOLDDOWNS - PHOSPHOR BRONZE.
- 2 PLATING: CONTACTS - 2.54µm MIN TIN OVER 1.27µm MIN NICKEL.
 HOLDDOWNS - 2.54µm MIN TIN OVER 1.27µm MIN NICKEL.
- 3 RECOMMENDED PC BOARD THICKNESS OF 1.57

FINISH	DIM Z	DIM V	DIM W	NO. OF POSN	PART NUMBER
2	12	19.41	19	5	2029076-5
2	9	16.41	16	4	2029076-4
2	6	13.41	13	3	2029076-3
2	3	10.41	10	2	2029076-2

THIS DRAWING IS A CONTROLLED DOCUMENT.

DIMENSIONS: mm	TOLERANCES UNLESS OTHERWISE SPECIFIED: 0 PLC ± 1 PLC ± 2 PLC ±0.13 3 PLC ± 4 PLC ± ANGLES ± FINISH	DWN K. WHITAKER 11MAR2008 CHK C. JONES 11MAR2008 APVD C. JONES 11MAR2008	NAME RT ANGLE SURFACE MOUNT HEADER ASSY, TIN CONTACTS W/SURF MOUNT HOLDDOWNS, SINGLE ROW, MICRO MATE-N-LOK(TM)
MATERIAL 1 SEE TABLE	PRODUCT SPEC 108-1836 APPLICATION SPEC 114-13000 WEIGHT -	SIZE A2 CAGE CODE 00779 DRAWING NO C-2029076	RESTRICTED TO -
CUSTOMER DRAWING		SCALE 5:1	SHEET 1 OF 1 REV BI

单击下面可查看定价，库存，交付和生命周期等信息

[>>TE Connectivity\(泰科\)](#)