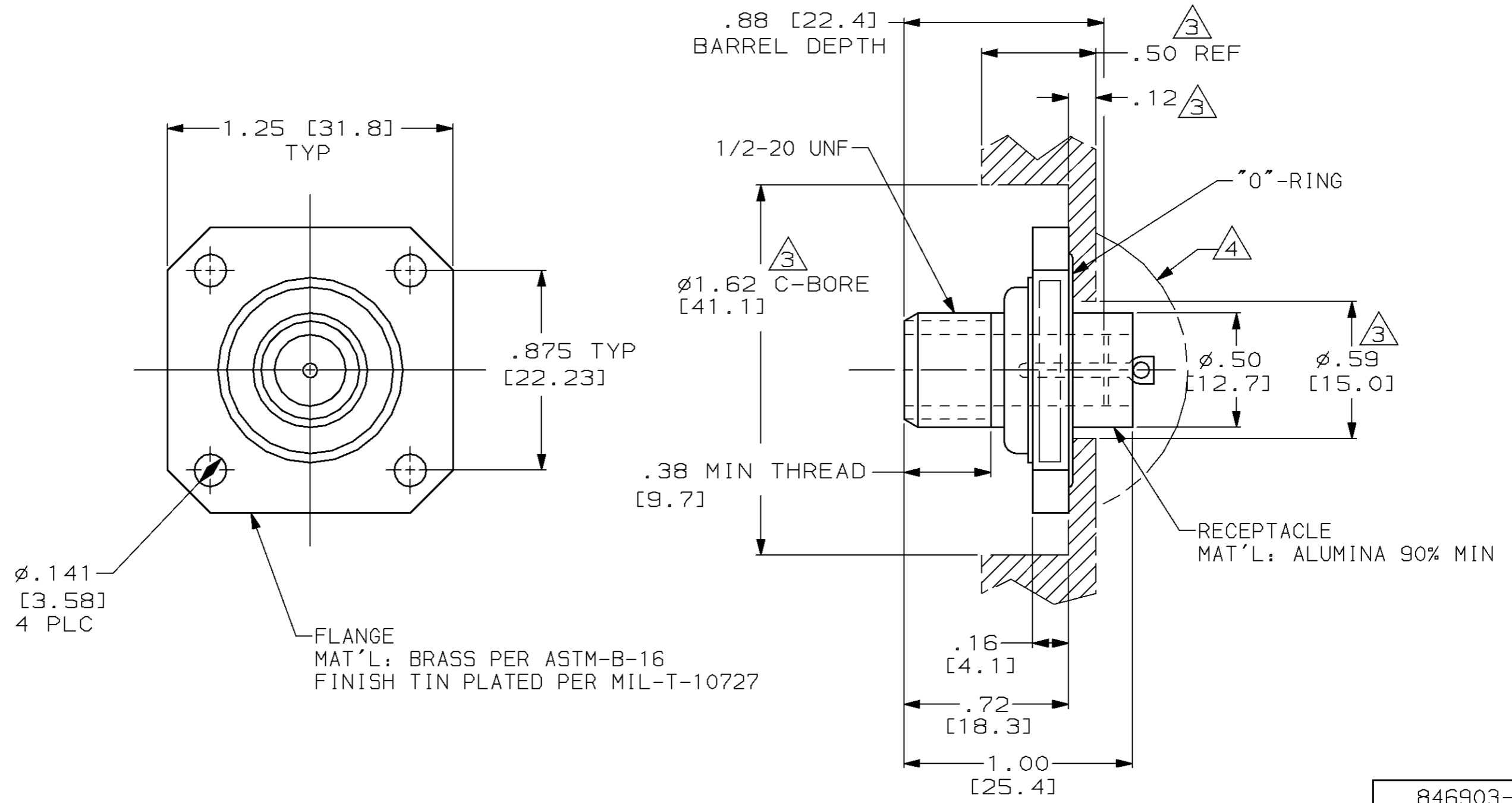


THIS DRAWING IS UNPUBLISHED. RELEASED FOR PUBLICATION, 19 .
 © COPYRIGHT 19 BY AMP INCORPORATED. ALL RIGHTS RESERVED.

LOC	DIST	REVISIONS			
P	LTR	DESCRIPTION	DATE	DWN	APVD
DF	SO	E	REV & REDRAWN; 0600-4612-95	6-96	CT SG



- RECEPTACLE TO MATE WITH AMP RFI SHIELDED LGH-1 LEAD ASSY.
- MARKED PER MIL-STD-130.
- CUSTOMER BULKHEAD MOUNTING DIMENSIONS.
- CUSTOMER TO PROTECT THIS END AGAINST VOLTAGE BREAKDOWN.

846903-1
PART NO.

THIS DRAWING IS A CONTROLLED DOCUMENT.		DWN C. C. THOMAS 6-14-96	AMP AMP Incorporated Harrisburg, PA 17105-3608												
		CHK S. GLATFELTER 7-8-96													
DIMENSIONS: INCHES [mm]		APVD S. GLATFELTER 7-8-96	NAME												
TOLERANCES UNLESS OTHERWISE SPECIFIED:		PRODUCT SPEC	FLANGED RECPTACLE ASSY, LGH-1												
<table border="1"> <tr><td>0 PLC</td><td>±-</td></tr> <tr><td>1 PLC</td><td>±-</td></tr> <tr><td>2 PLC</td><td>±.02 [0.5]</td></tr> <tr><td>3 PLC</td><td>±.005 [0.13]</td></tr> <tr><td>4 PLC</td><td>±-</td></tr> <tr><td>ANGLES</td><td>±-</td></tr> </table>		0 PLC	±-	1 PLC	±-	2 PLC	±.02 [0.5]	3 PLC	±.005 [0.13]	4 PLC	±-	ANGLES	±-	APPLICATION SPEC	SIZE
0 PLC	±-														
1 PLC	±-														
2 PLC	±.02 [0.5]														
3 PLC	±.005 [0.13]														
4 PLC	±-														
ANGLES	±-														
MATERIAL -		WEIGHT -	CAGE CODE												
FINISH -		DRAWING NO													
		A3 00779 C-846903													
CUSTOMER DRAWING		SCALE	SHEET												
		2:1	1 OF 1												
		REV	E												

单击下面可查看定价，库存，交付和生命周期等信息

[>>TE Connectivity\(泰科\)](#)