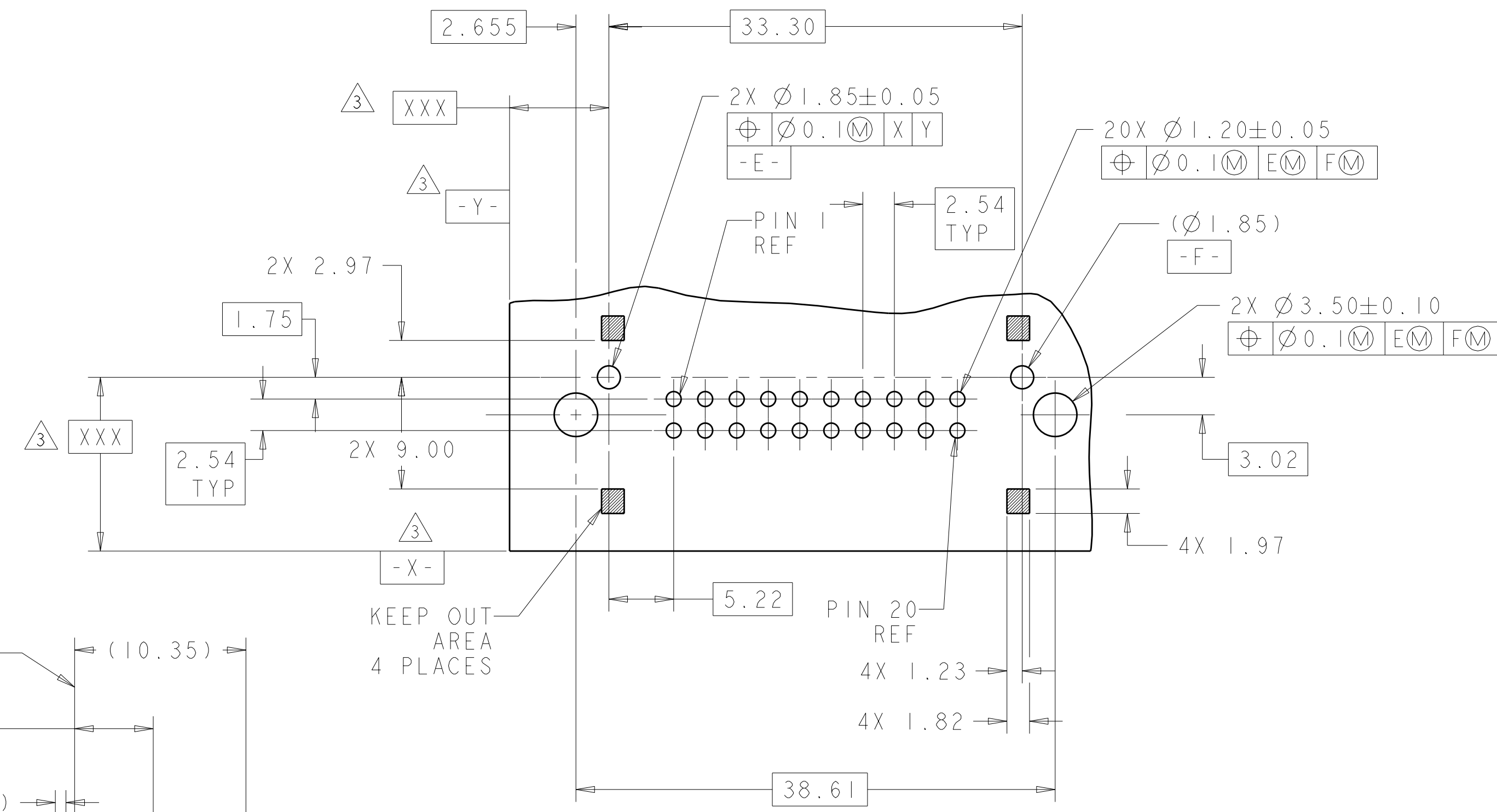
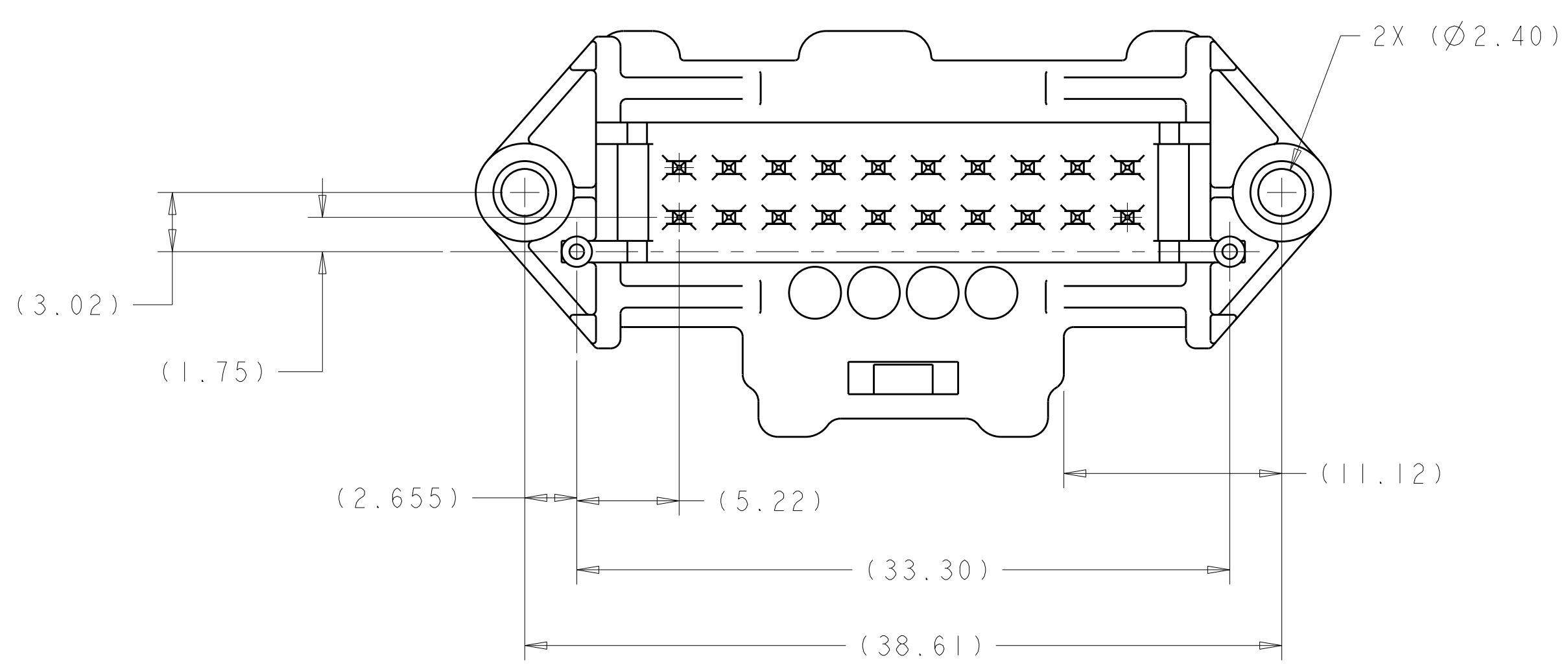
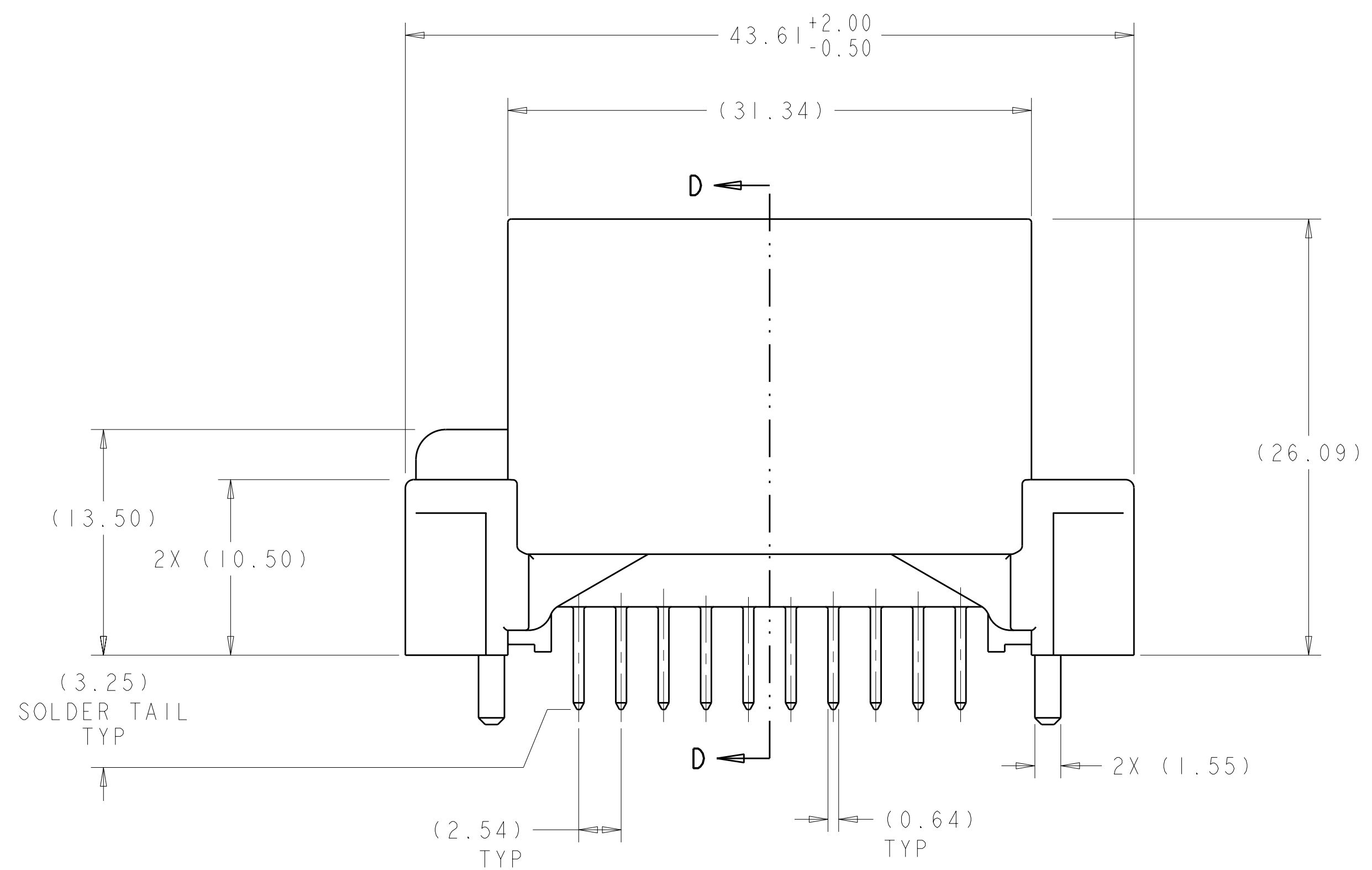
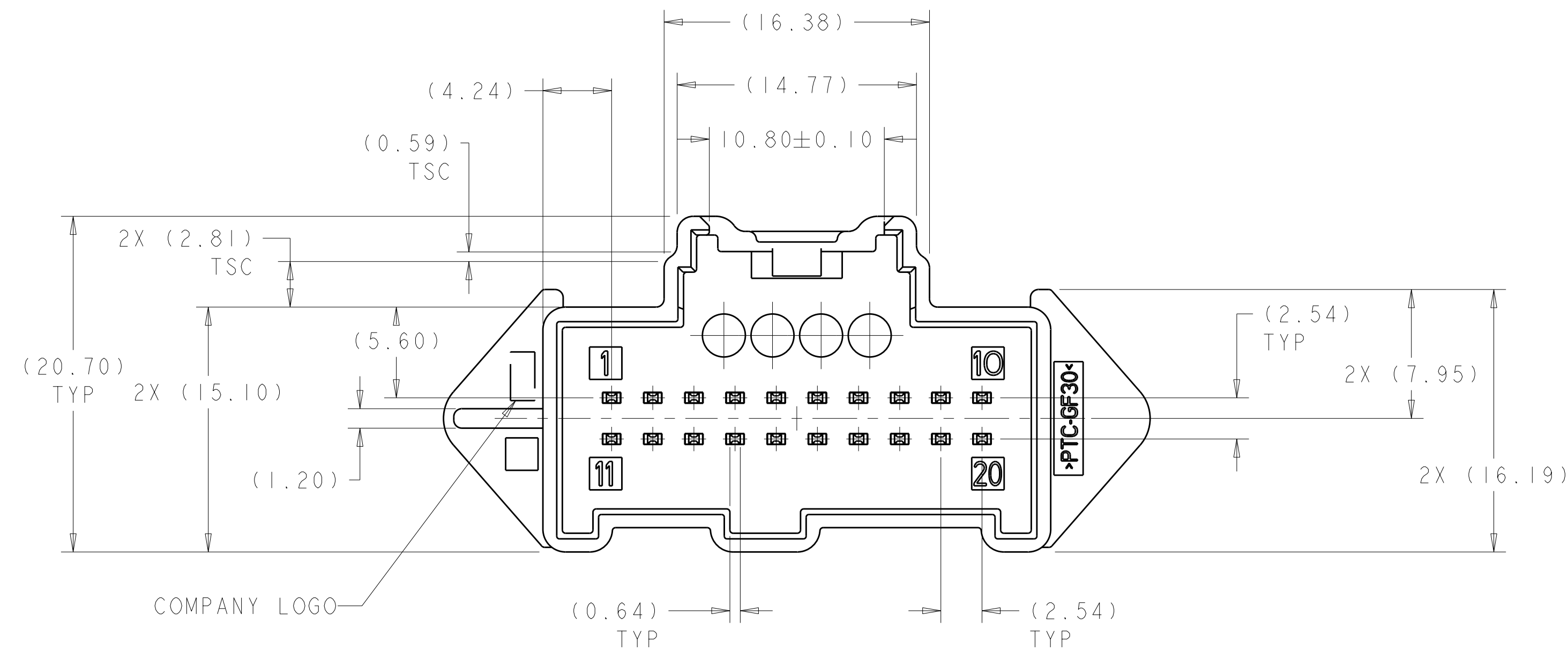
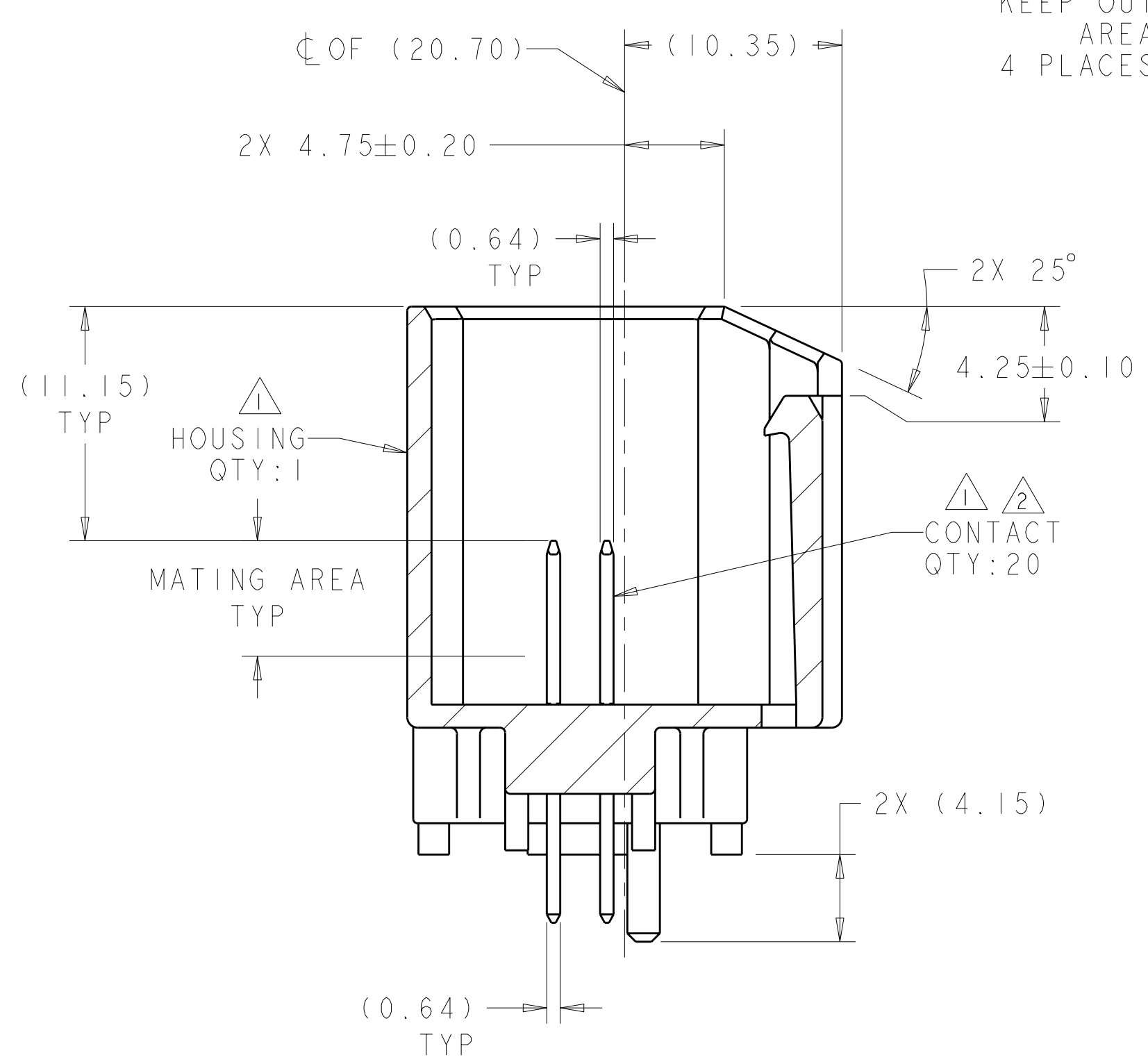


LOC	DIST	REV	DATE	BY	APPD
IN	00	A	11MAY2007	HM	DF
		A1	31MAY2010	VSS	CS



RECOMMENDED
 PC BOARD LAYOUT
 1.57 THK PC BOARD
 SCALE 3:1



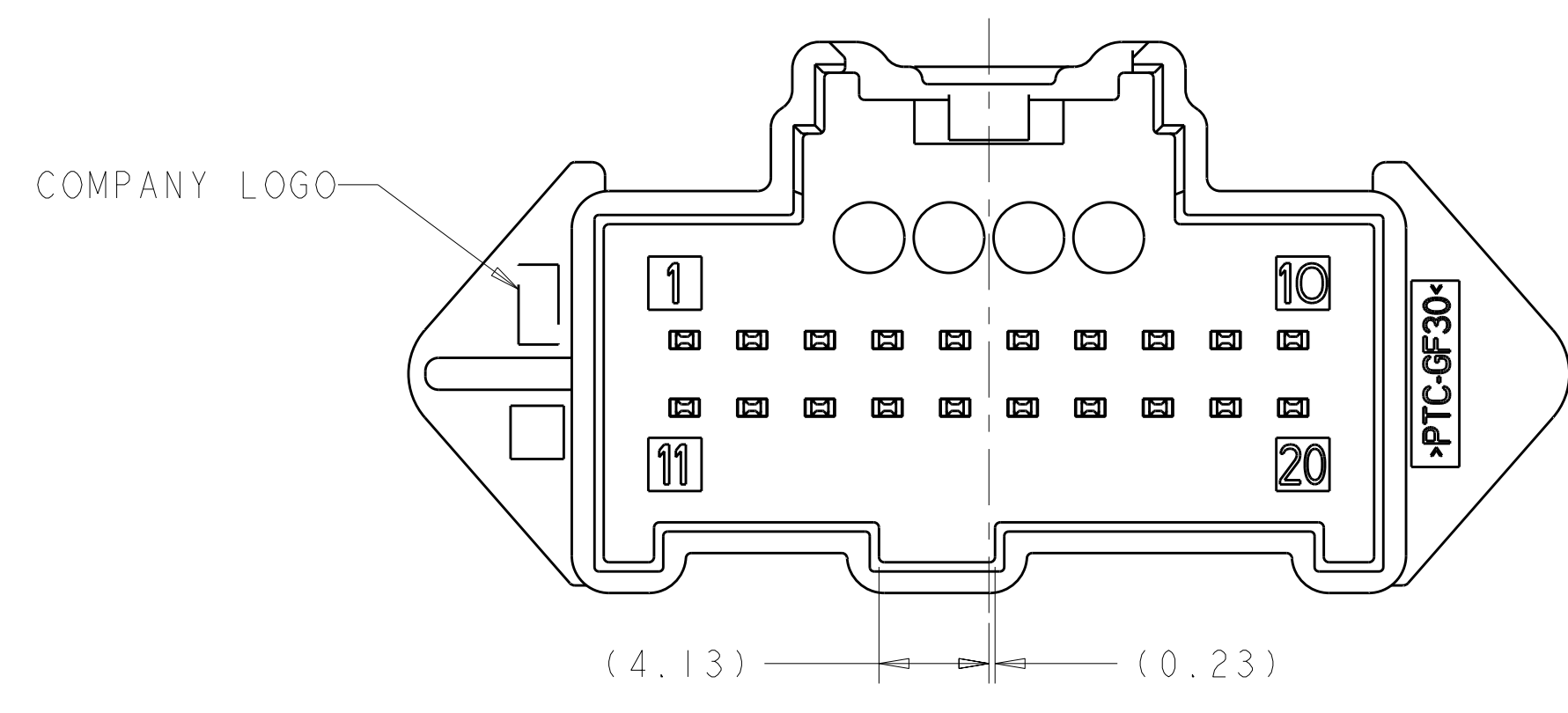
SECTION D-D

- ① HOUSING: PCT, COLOR - BLACK
CONTACTS: COPPER ALLOY
- ② CONTACT: 1.5µm MIN TIN IN MATING AREA AND 2.5µm MIN TIN IN SOLDER TAIL ALL OVER 2.00µm MIN NICKEL
- ③ DATUMS AND BASIC DIMENSIONS ESTABLISHED BY THE CUSTOMER
- ④ THIS PRODUCT HAS NOT COMPLETED VALIDATION TESTING
- ⑤ PRELIMINARY - NOT FOR PRODUCTION

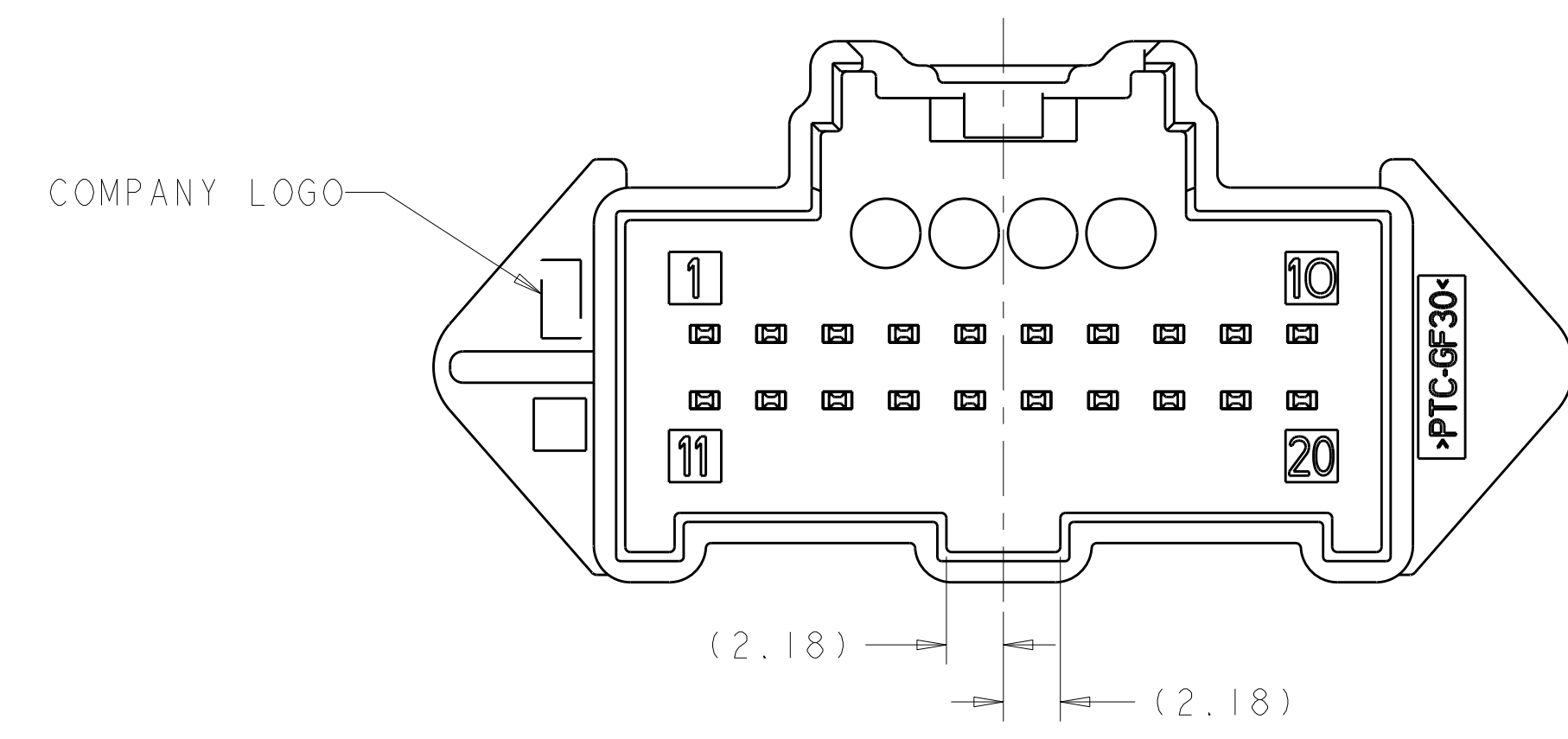
KEYING CODE	PART NUMBER
KEYING CODE "F"	④ ⑤ 1438988-6
KEYING CODE "E"	④ ⑤ 1438988-5
KEYING CODE "D"	④ ⑤ 1438988-4
KEYING CODE "C"	④ ⑤ 1438988-3
KEYING CODE "B"	④ ⑤ 1438988-2
KEYING CODE "A"	④ ⑤ 1438988-1

DIMENSIONS: mm 		TOLERANCES UNLESS OTHERWISE SPECIFIED: 9 PLC ± 5 PLC ± 4 PLC ± ANGLES ±		DWN H. MOLL 14FEB2005 CHK D. FRY 15MAR2005 APVD D. FRY 15MAR2005		Tyco Electronics Harrisburg, PA 17105-3608	
MATERIAL:		FINISH:		NAME:		PRODUCT SPEC: APPLICATION SPEC:	
CUSTOMER DRAWING		WEIGHT:		SIZE: CAGE CODE: DRAWING NO:		RESTRICTED TO:	
SCALE 3:1		SHEET 1 OF 2		REV A1		HEADLINE: HEADER ASSY, 2x10, UNSEALED, VERTICAL, THRU-HOLE, USCAR	

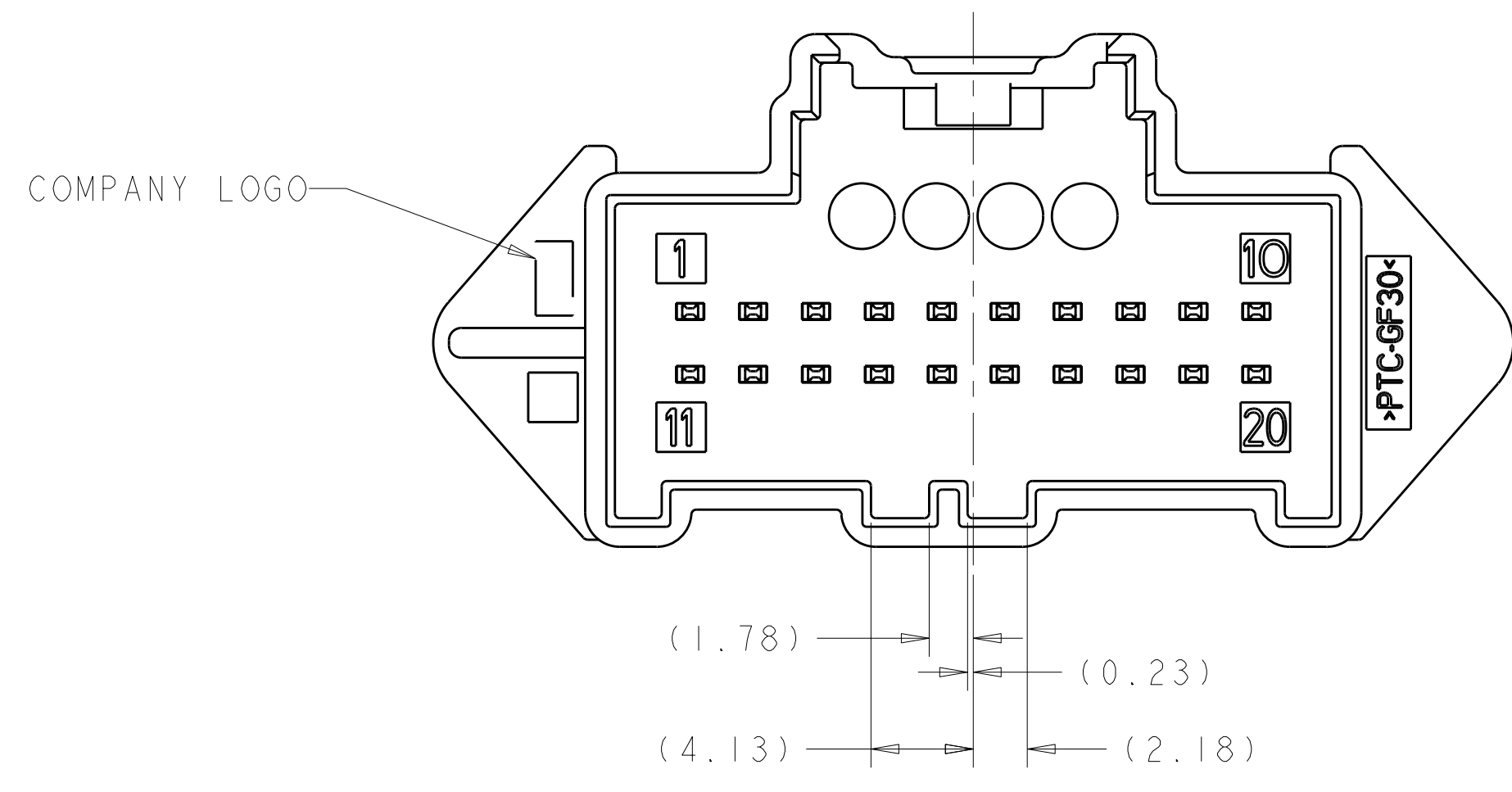
LOC	DIST	REV	DATE	BY	APPD
1N	00				
DESCRIPTION		DATE	DWN	APPD	
SEE SHEET 1					



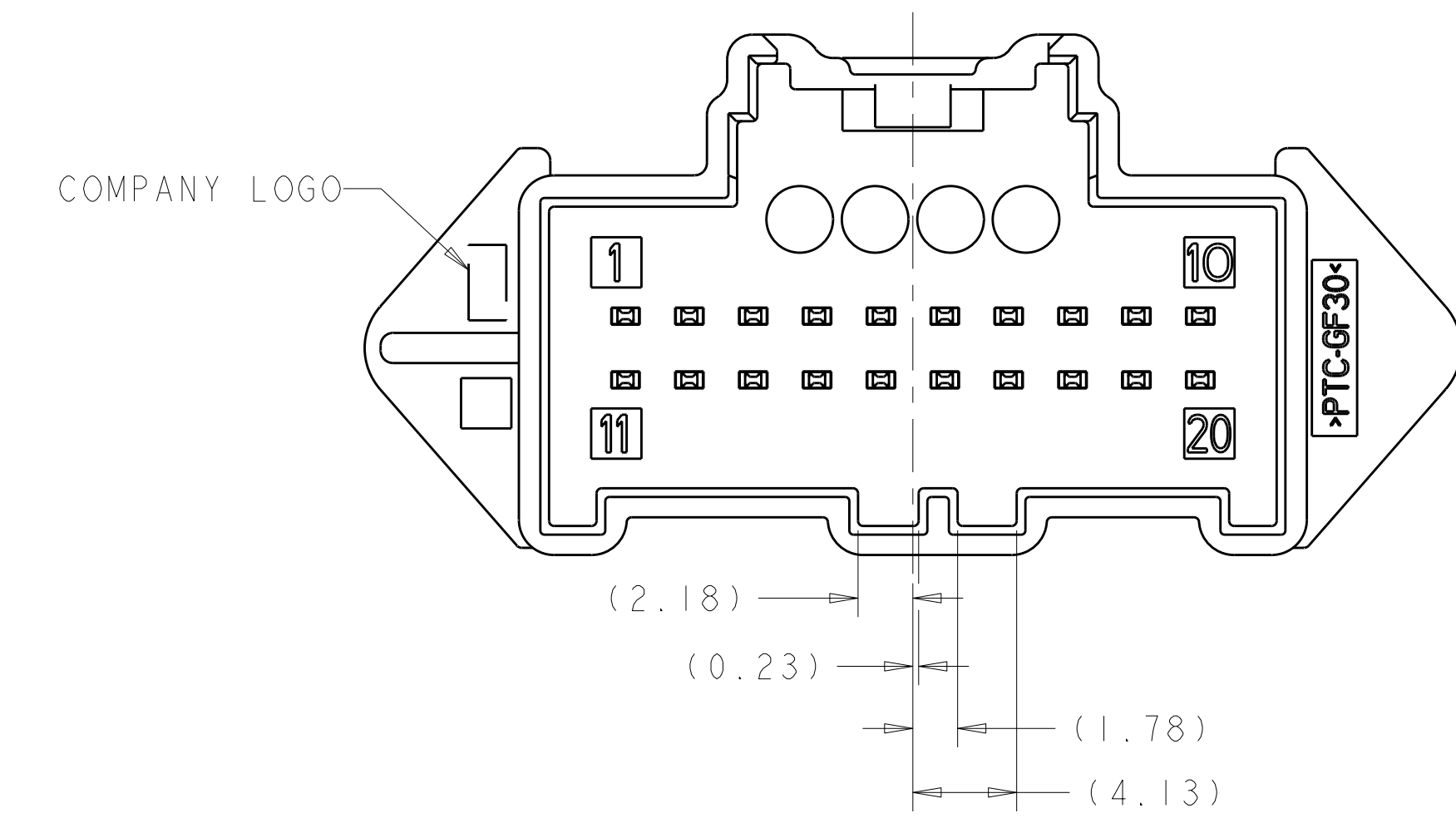
KEYING CODE "A"
SCALE 4:1



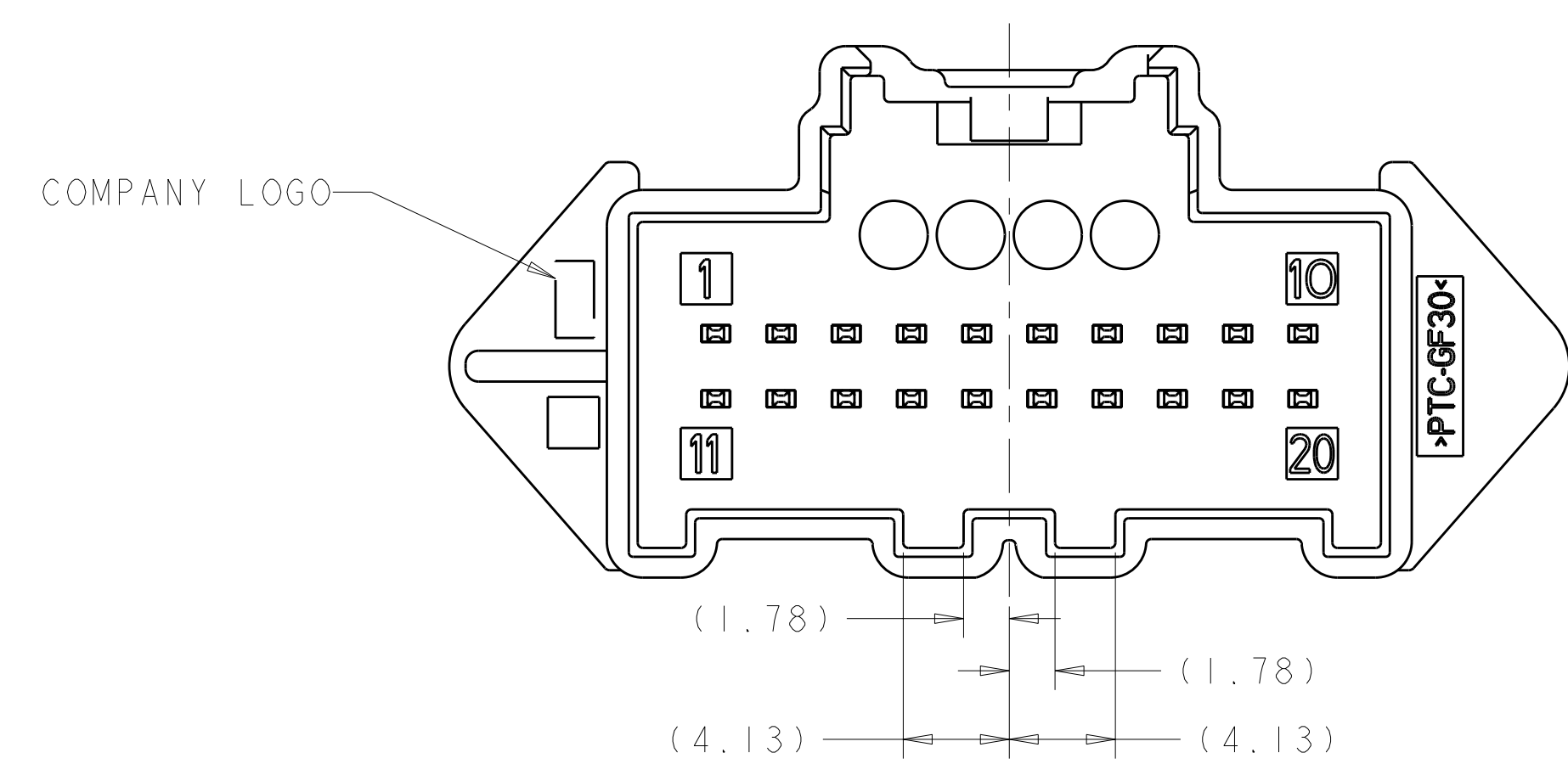
KEYING CODE "B"
SCALE 4:1



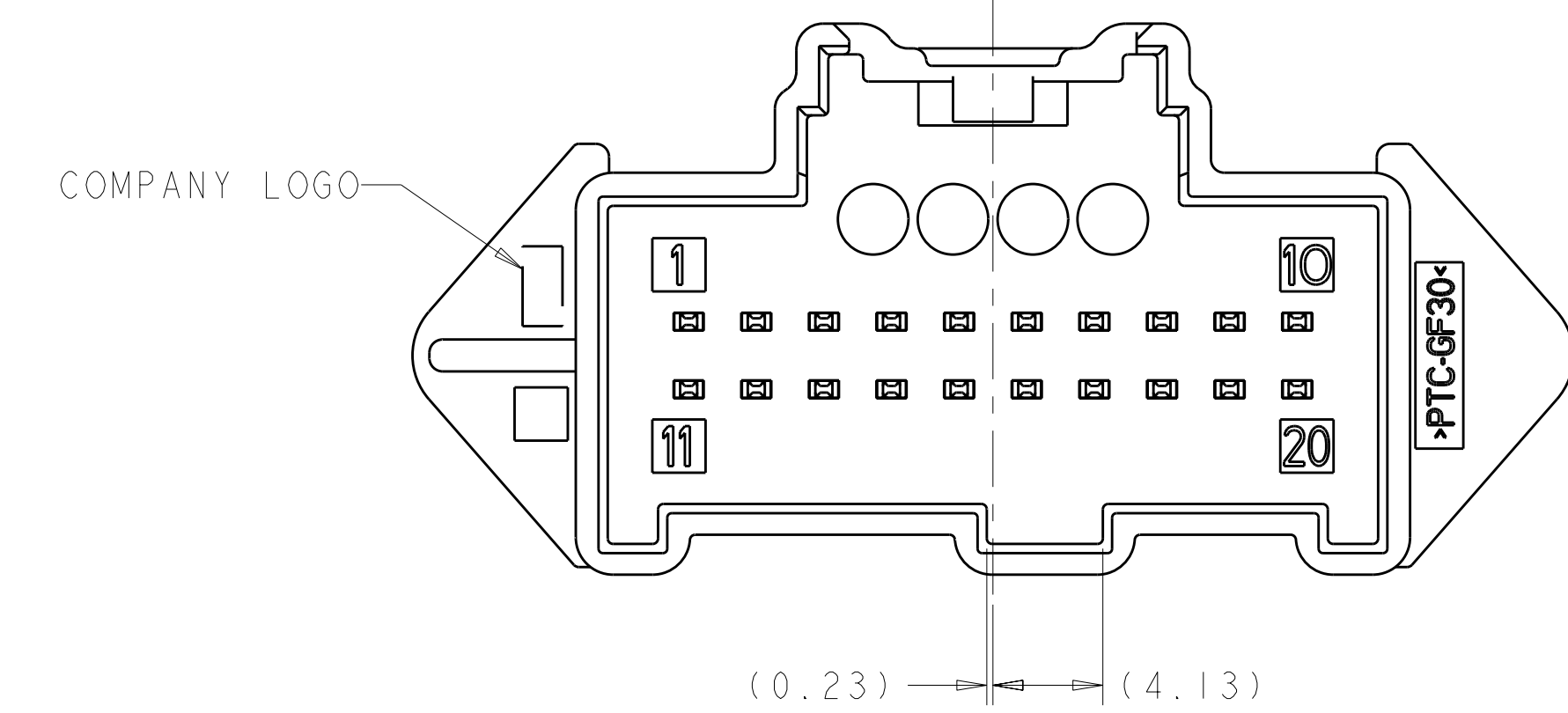
KEYING CODE "C"
SCALE 4:1



KEYING CODE "D"
SCALE 4:1



KEYING CODE "E"
SCALE 4:1



KEYING CODE "F"
SCALE 4:1

<small>THE INFORMATION IS CONTROLLED DOCUMENT FROM TYCO ELECTRONICS CORPORATION IT IS SUBJECT TO CHANGE WITHOUT NOTICE AND WITHOUT OBLIGATION SHOULD BE CONTACTED FOR THE LATEST REVISION.</small>		DWN H. MOLL 14FEB2005 CHK D. FRY 15MAR2005 APVD D. FRY 15MAR2005	Tyco Electronics Harrisburg, PA 17105-3608
DIMENSIONS: mm 	TOLERANCES UNLESS OTHERWISE SPECIFIED: 9 PLC ± 1 PLC ± 3 PLC ± 4 PLC ± ANGLES ± FINISH	NAME PRODUCT SPEC APPLICATION SPEC WEIGHT CUSTOMER DRAWING	HEADER ASSY, 2x10, UNSEALED, VERTICAL, THRU-HOLE, USCAR SIZE CAGE CODE DRAWING NO RESTRICTED TO A100779C=1438988 SCALE 3:1 SHEET 2 OF 2 REV A1

单击下面可查看定价，库存，交付和生命周期等信息

[>>TE Connectivity\(泰科\)](#)