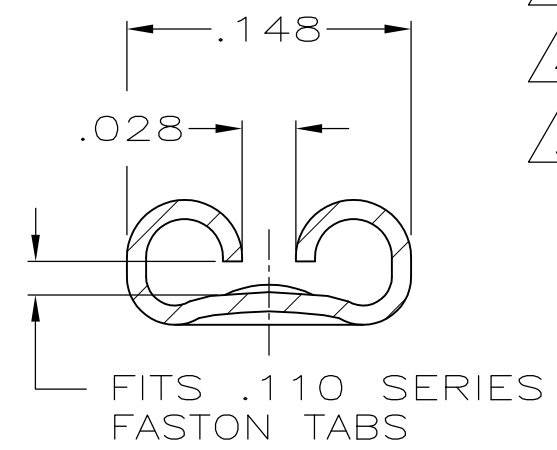
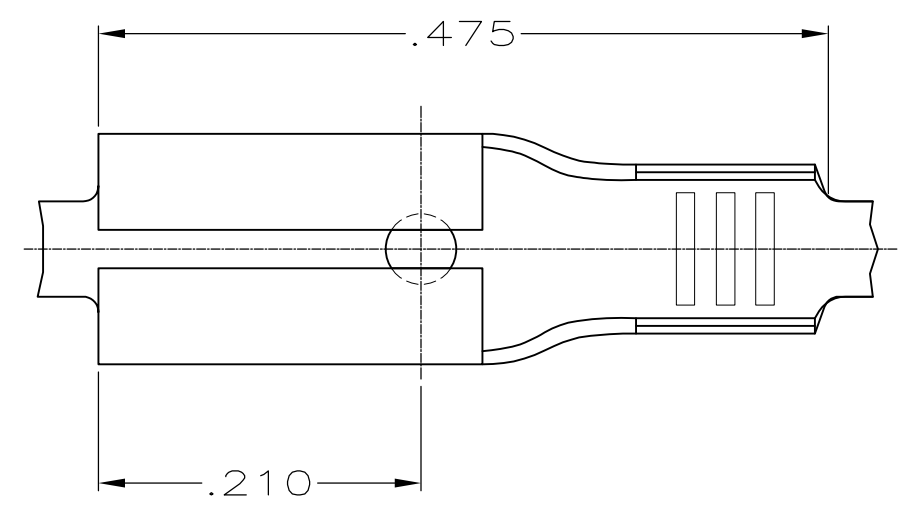


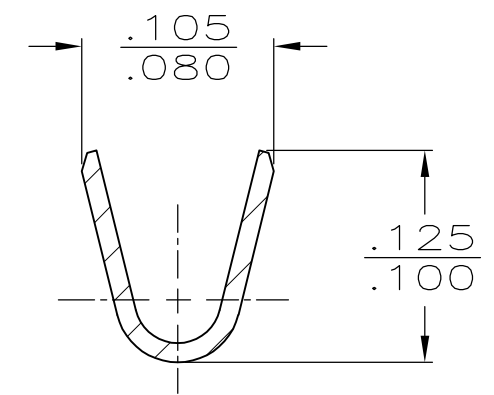
THIS DRAWING IS UNPUBLISHED. RELEASED FOR PUBLICATION
 © COPYRIGHT - By - ALL RIGHTS RESERVED.

LOC	DIST	REVISIONS			
P	LTR	DESCRIPTION	DATE	DWN	APVD
AF	50	W	REVISED PER ECR-12-013445	18OCT12	KH PD

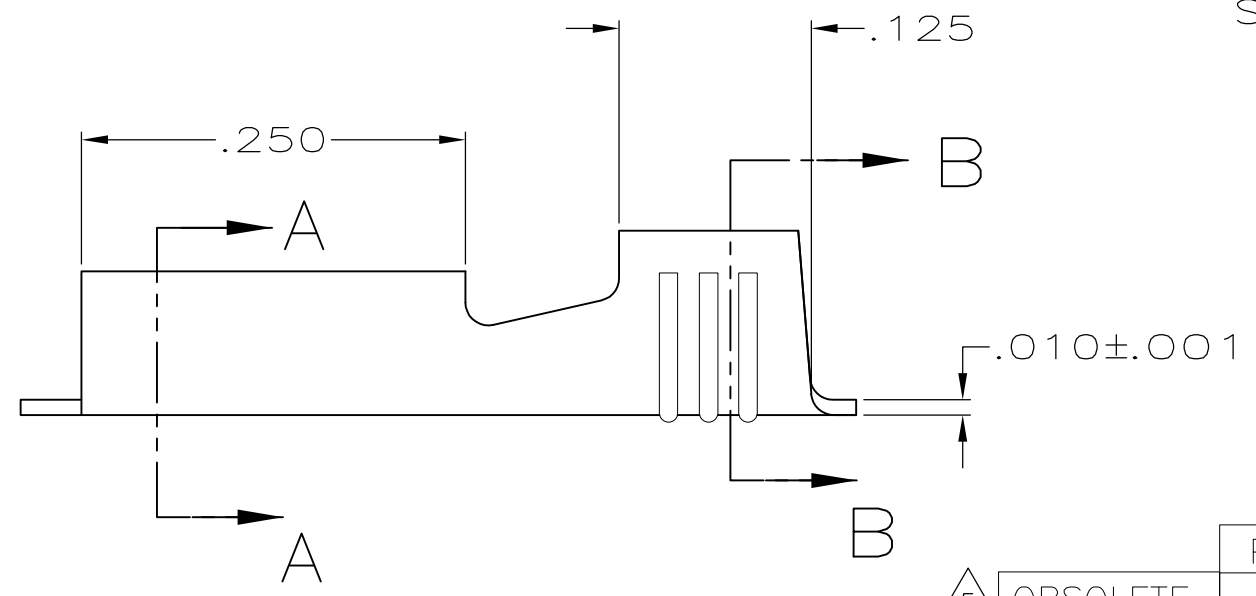
- 1 CONTINUOUS STRIP ON REELS
- 2 FEED TO BE $.535 \pm .005$.
- 3 REVERSE REELING W/ PAPER INTERLEAVING
- 4 PRELIMINARY - NOT FOR PRODUCTION
- 5 OBSOLETE PARTS: OBSOLETE CIS STREAMLINING PER D.RENAUD/D.SINISI



SECTION A-A
SCALE 10:1



SECTION B-B
SCALE 10:1



5 OBSOLETE	PRE-TIN	20-18 or (2) #20's	.020	3 4 42399-5
	-			42399-2
	PRE-TIN			42399-1
	FINISH			PART NO
			MATING TAB THK ±.001	

THIS DRAWING IS A CONTROLLED DOCUMENT.		DWN JR RUTH 4/1/91	TE Connectivity RECEPTACLE, FASTON, .110 SERIES			
DIMENSIONS: INCHES		CHK MS FEHER 4/1/91				NAME
TOLERANCES UNLESS OTHERWISE SPECIFIED:		APVD C MEYERS 4/1/91				PRODUCT SPEC
0 PLC ± - 1 PLC ± - 2 PLC ± - 3 PLC ± .015 4 PLC ± - ANGLES ± -		APPLICATION SPEC				SIZE CAGE CODE DRAWING NO RESTRICTED TO
MATERIAL BRASS	FINISH SEE TABLE	WEIGHT -	A3 00779 C-42399	SCALE 8:1 SHEET 1 OF 1 REV W		

单击下面可查看定价，库存，交付和生命周期等信息

[>>TE Connectivity\(泰科\)](#)