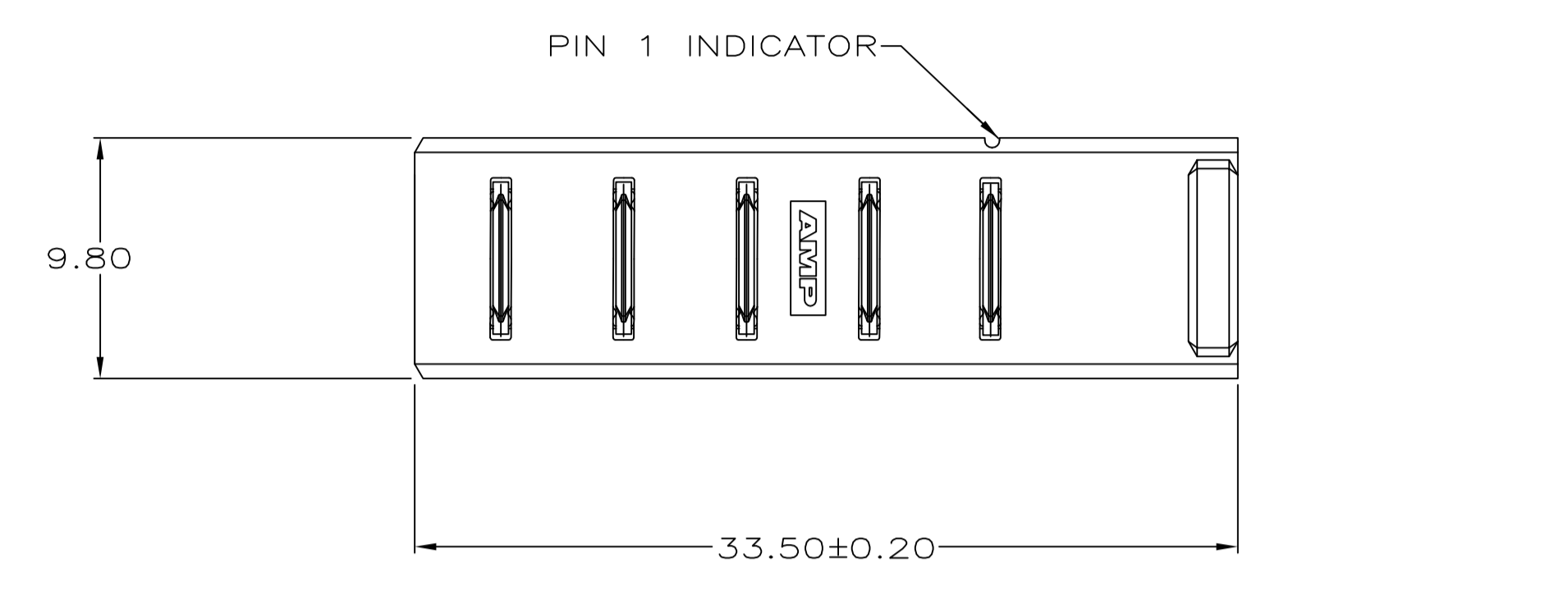
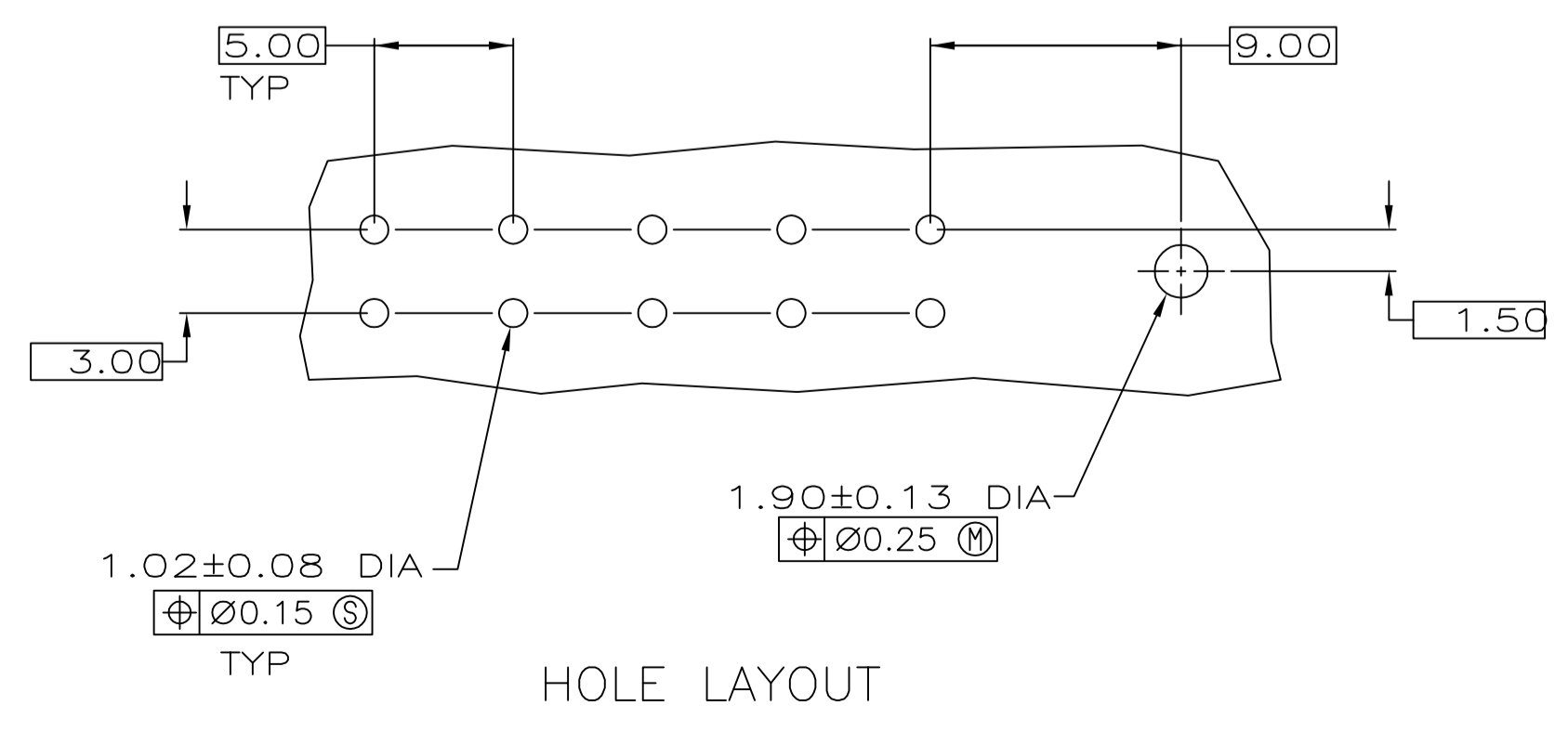
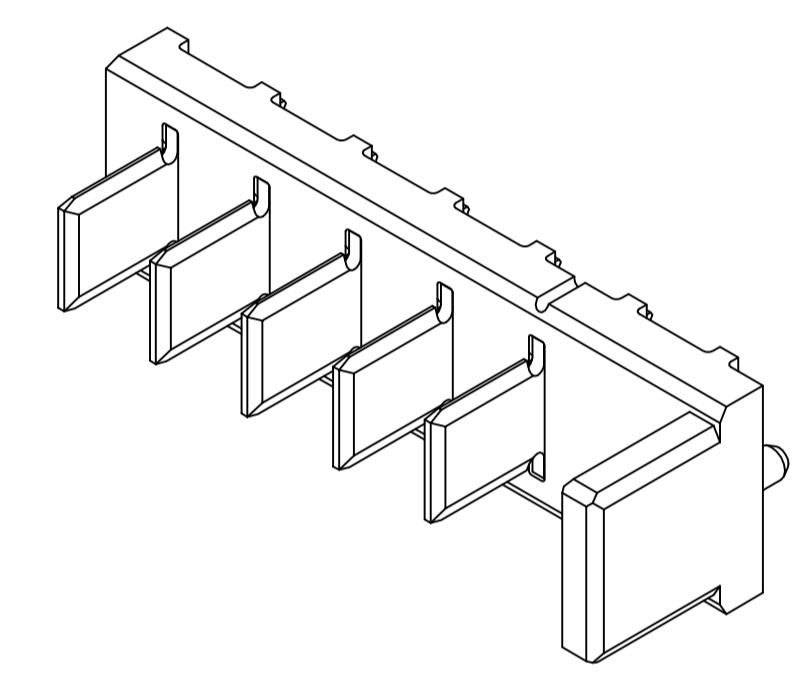
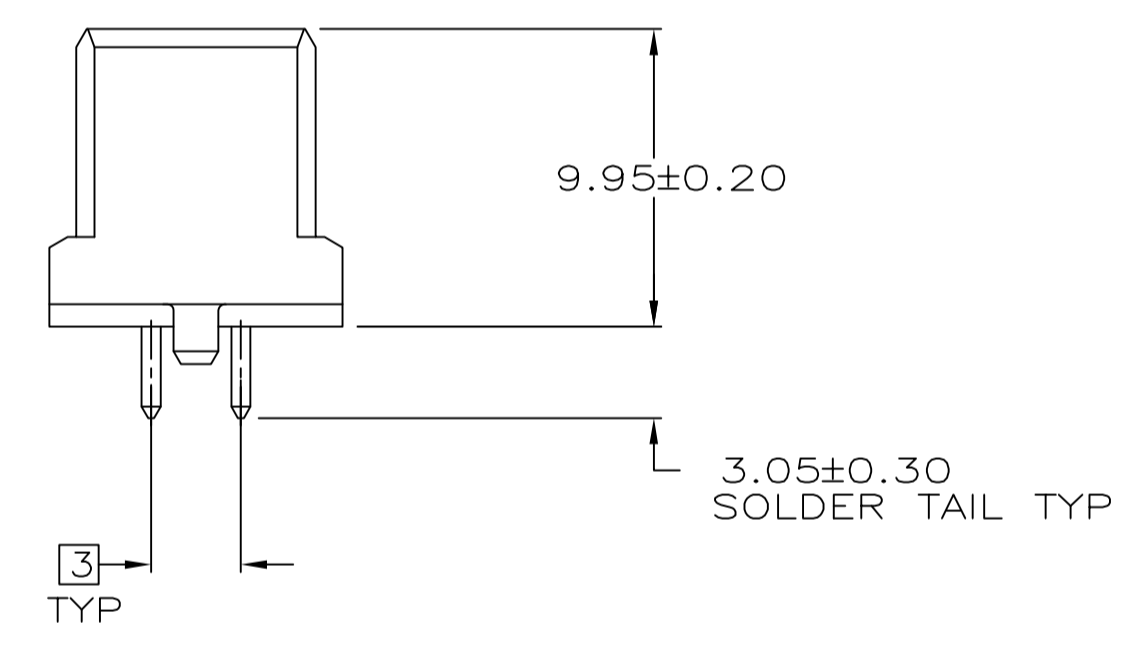
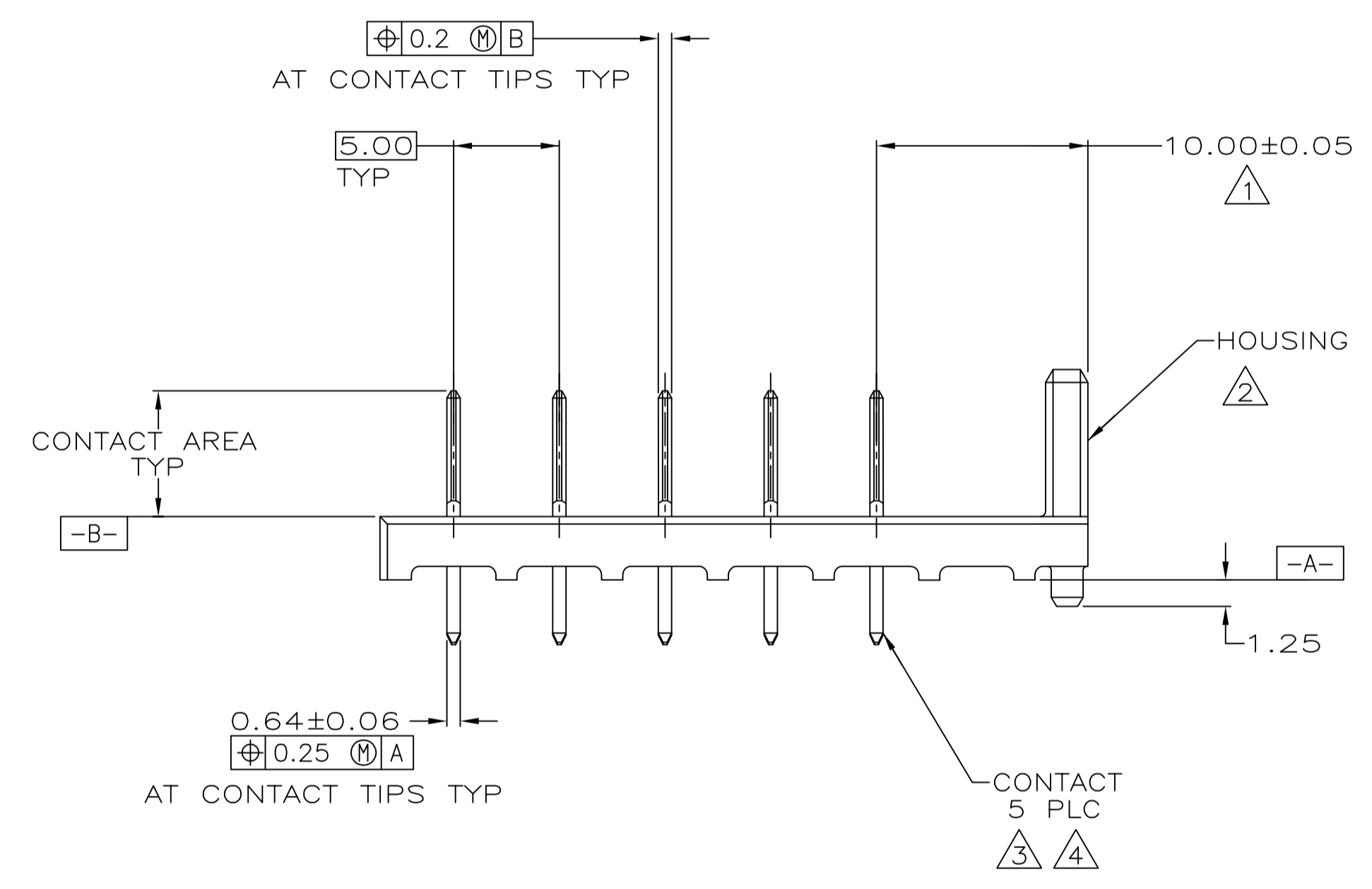


LOC	DIST	REVISIONS			
P	LTR	DESCRIPTION	DATE	DWN	APVD
0		RLSE -1 PER NPR 5303 WAS 94-2197-04-1	03/16/95	SK	SK
A		REV PER EC 0020-965-95	14 SEP 95	DG	RSK
B		REV PER EC 0020-0657-96	12/06/96	JR	RK
D		REVISED PER ECR-10-002761	02/09/10	S.W	S.Y
D1		REVISED PER ECR-14-009533	07/07/14	AP	JHA



- △ COORDINATE DIMENSION APPLIES FROM CENTER OF ACTUAL FEATURE.
- △ HOUSING: POLYPHTHALAMIDE, COLOR BLACK.
- △ 2.54 μm MIN TIN-LEAD ON SOLDER TAIL OVER 1.90 μm MIN NICKEL ALL OVER.
- △ CONTACTS: BRASS



SUPERCEDED BY 5787419-1 787419-1
 PART NO

<small>THIS DRAWING IS A CONTROLLED DOCUMENT FOR AMP INCORPORATED. IF IT IS SUBJECT TO CHANGE AND THE CONTROLLING ENGINEERING ORGANIZATION SHOULD BE CONTACTED FOR THE LATEST REVISION.</small>		DWN	S.KLINE	03/16/95
		CHK	S.KLINE	03-17-95
		APVD	S.KLINE	03-17-95
DIMENSIONS: mm TOLERANCES UNLESS OTHERWISE SPECIFIED: 0 PLC ± 1 PLC ± 2 PLC ±0.13 3 PLC ± 4 PLC ± ANGLES ± FINISH ±		NAME	S.KLINE PRODUCT SPEC 108-1501 APPLICATION SPEC 114-24005	
MATERIAL SEE CALLOUTS		SIZE	CAGE CODE	DRAWING NO
		WEIGHT	A1 00779	C-787419
		CUSTOMER DRAWING	SCALE	4:1 SHEET 1 OF 1 REV 01

单击下面可查看定价，库存，交付和生命周期等信息

[>>TE Connectivity\(泰科\)](#)