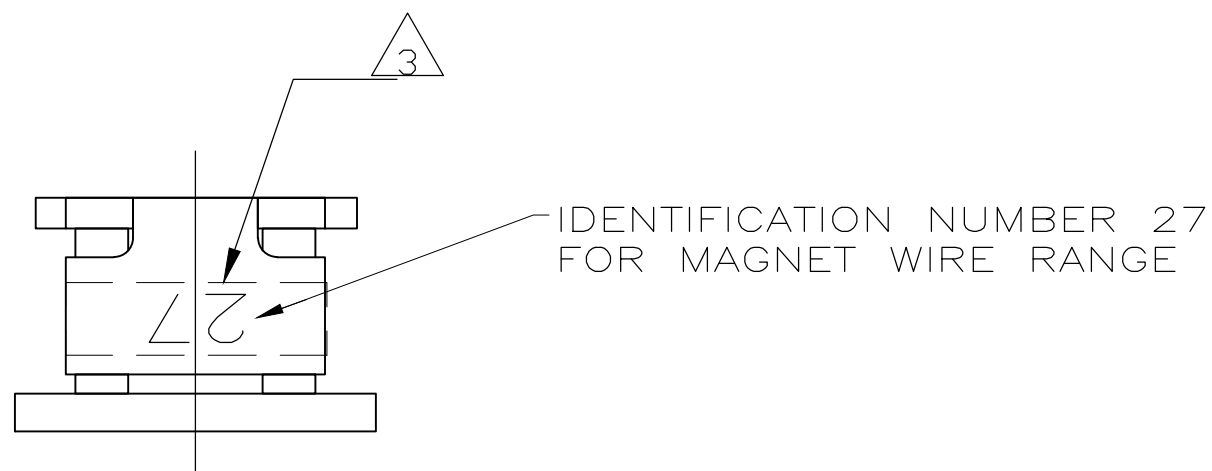
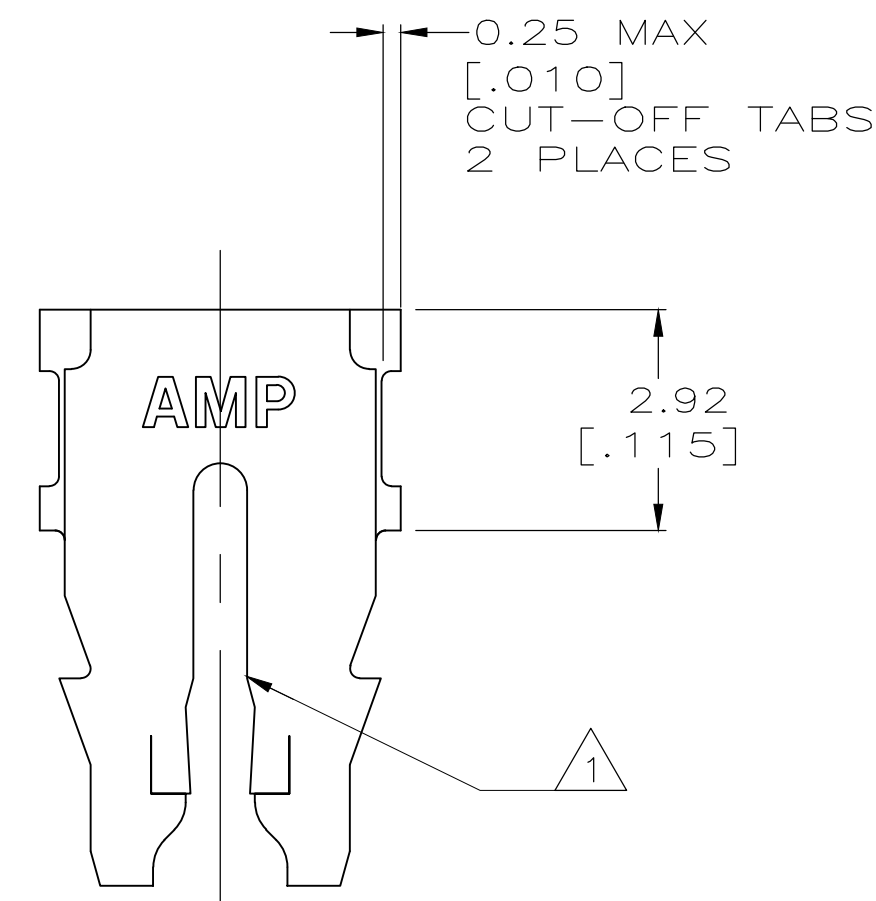
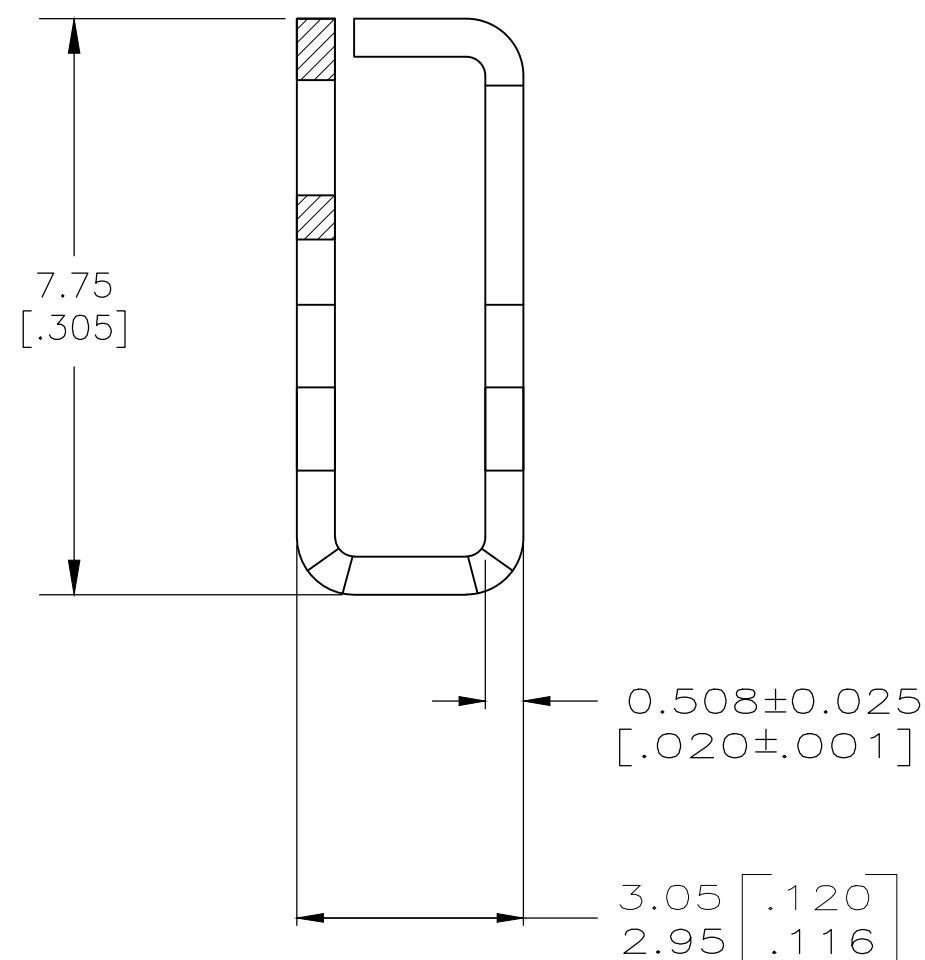
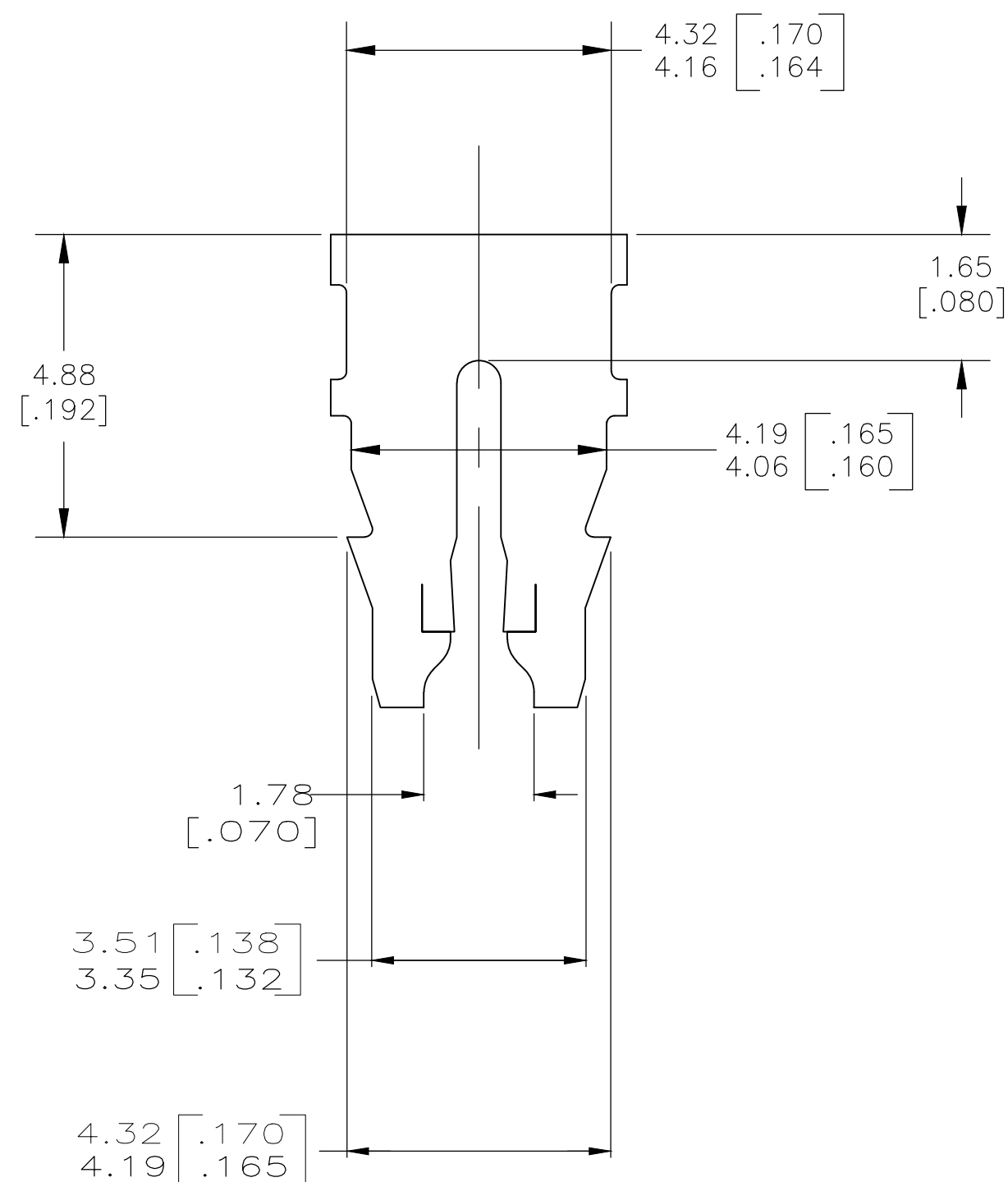


THIS DRAWING IS UNPUBLISHED. RELEASED FOR PUBLICATION
 © COPYRIGHT - TE Connectivity Ltd. ALL RIGHTS RESERVED.

REVISIONS				
P	LTR	DESCRIPTION	DATE	DWN APVD
B1		DRAWING CLARIFICATION ON WIRE RANGE	08FEB2018	SV PKS



- 1 SLOT TERMINATES EITHER A SINGLE OR DOUBLE MAGNET WIRE OF THE SAME SIZE AND TYPE.
COPPER RANGE: 0.91-1.15mm [#19-#17] AWG.
- 2 SPECIAL CAVITY ANVIL LOCATION REQUIRED
4.83±0.07 [.190±.003]. REF APPLICATION SPEC 114-2046, SEC. 3.2, NOTE 7. REVISION T OR LATER.
- 3 ORANGE COLORING APPLIED TO THIS SURFACE DURING LOOSE PIECE OPERATION TO PROVIDE COLOR CODING OF MAGNET WIRE RANGE.



1742240-1
PART NUMBER

THIS DRAWING IS A CONTROLLED DOCUMENT.		DWN 17FEB2005 MICHAEL S. FEHER	TE TE Connectivity		
DIMENSIONS: INCHES		CHK 17FEB2005 KURT A. RANDOLPH			
TOLERANCES UNLESS OTHERWISE SPECIFIED:		APVD 17FEB2005 KURT A. RANDOLPH	NAME TERMINAL, SPLICE, LOOSE PIECE, 300 SERIES MAG-MATE		
0 PLC ± -		PRODUCT SPEC 108-2012	SIZE A2	CAGE CODE 00779	DRAWING NO C=1742240
1 PLC ± -		APPLICATION SPEC 114-2046 2	RESTRICTED TO -		
2 PLC ± 0.25 [.010]		MATERIAL 4M BRASS	WEIGHT 0.000000	SCALE 10:1	SHEET 1 of 1
3 PLC ± -		FINISH 0.002032 [.000080] MIN TIN PLATE	CUSTOMER DRAWING		REV B1
4 PLC ± -					
ANGLES ± -					

单击下面可查看定价，库存，交付和生命周期等信息

[>>TE Connectivity\(泰科\)](#)