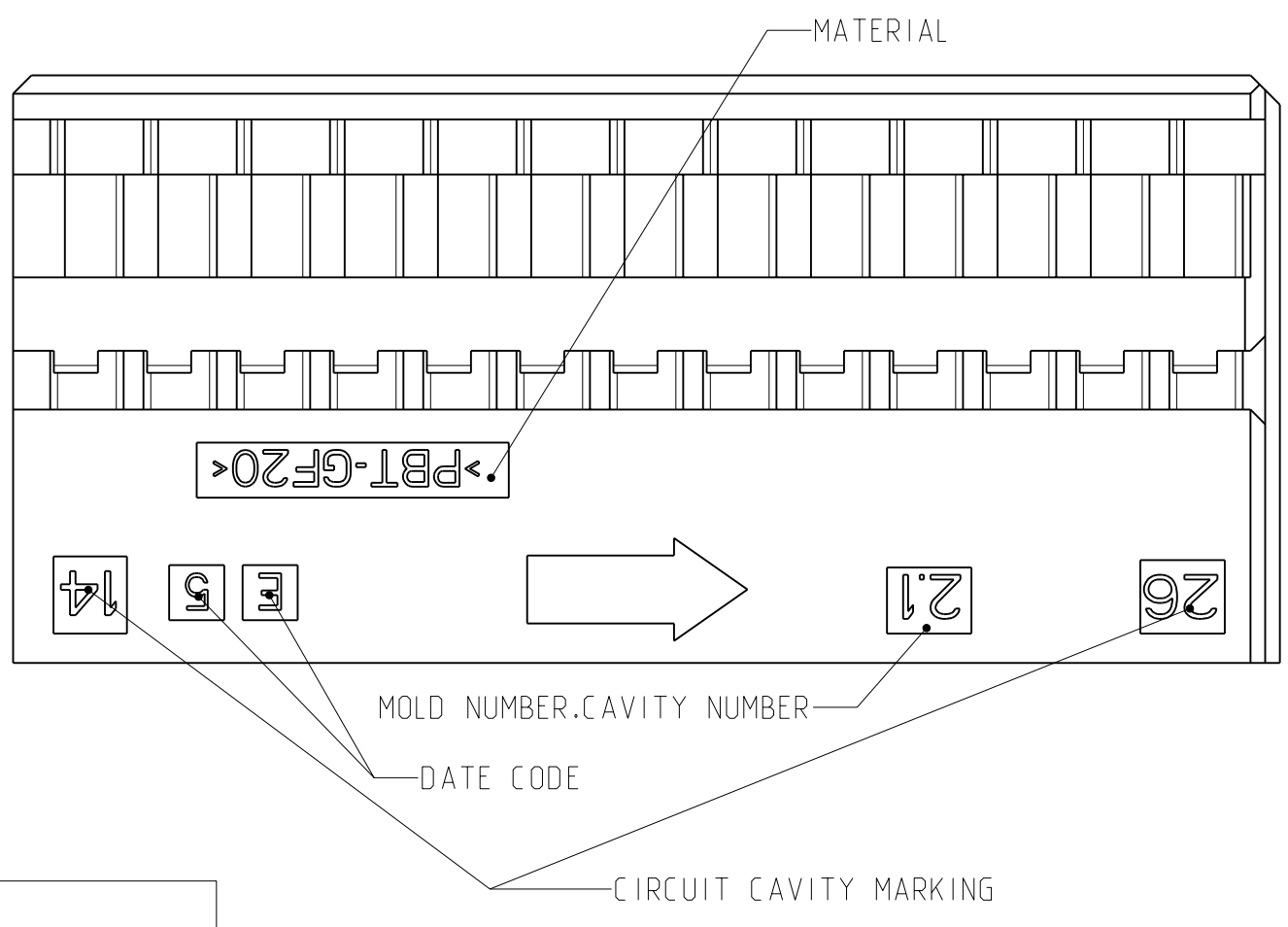
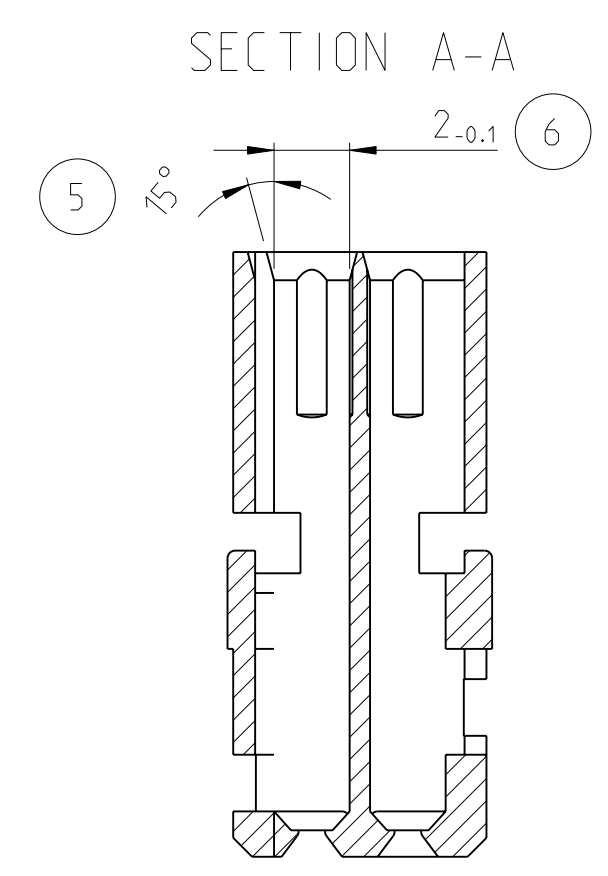
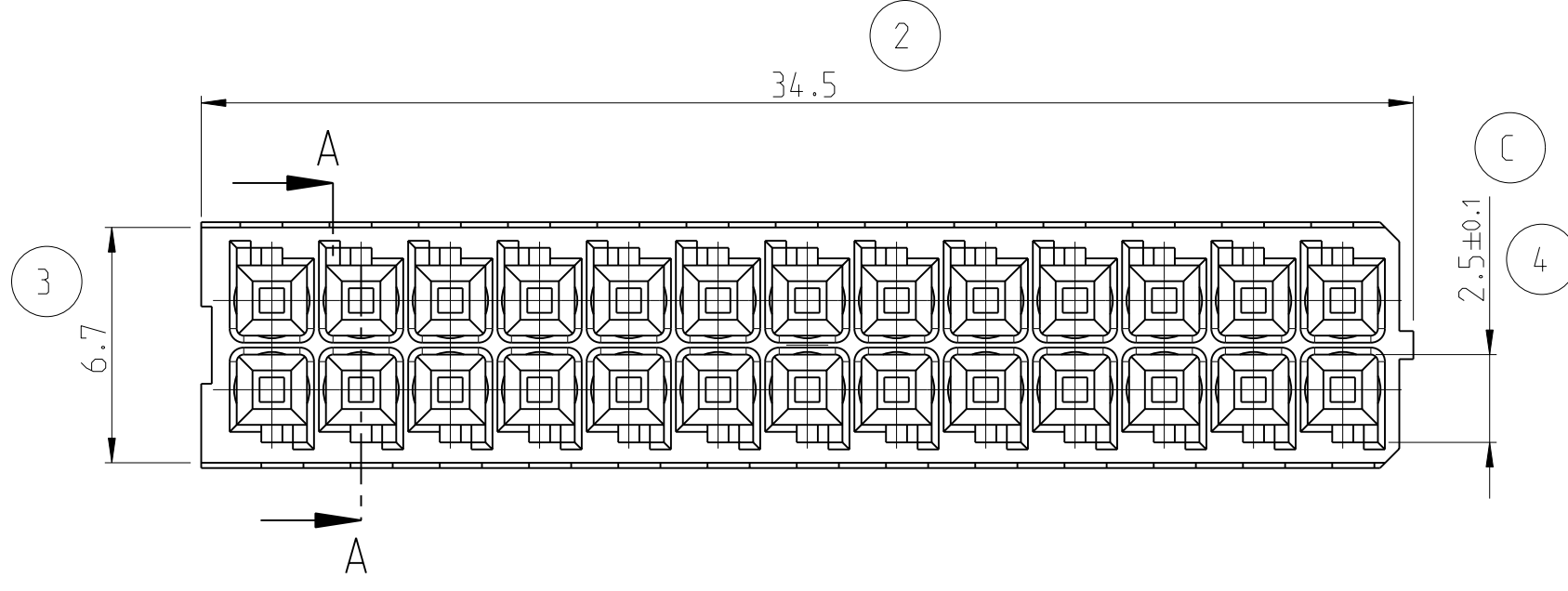
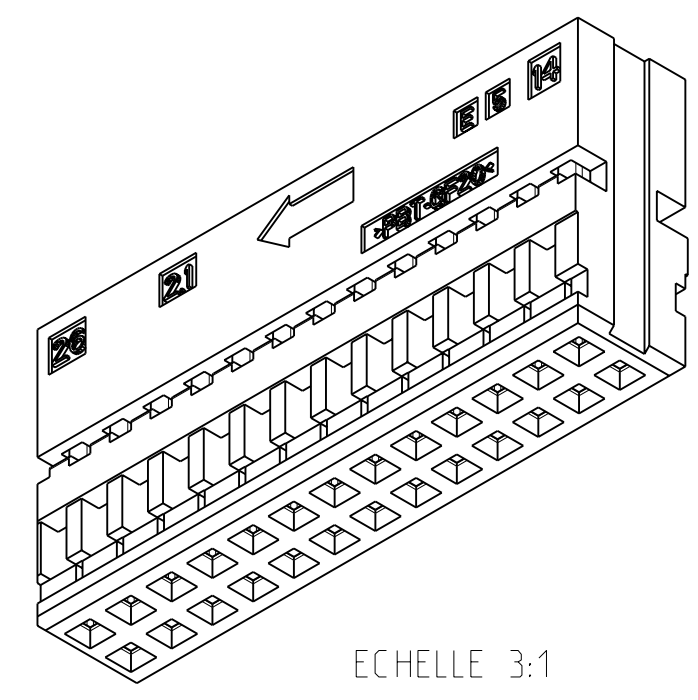
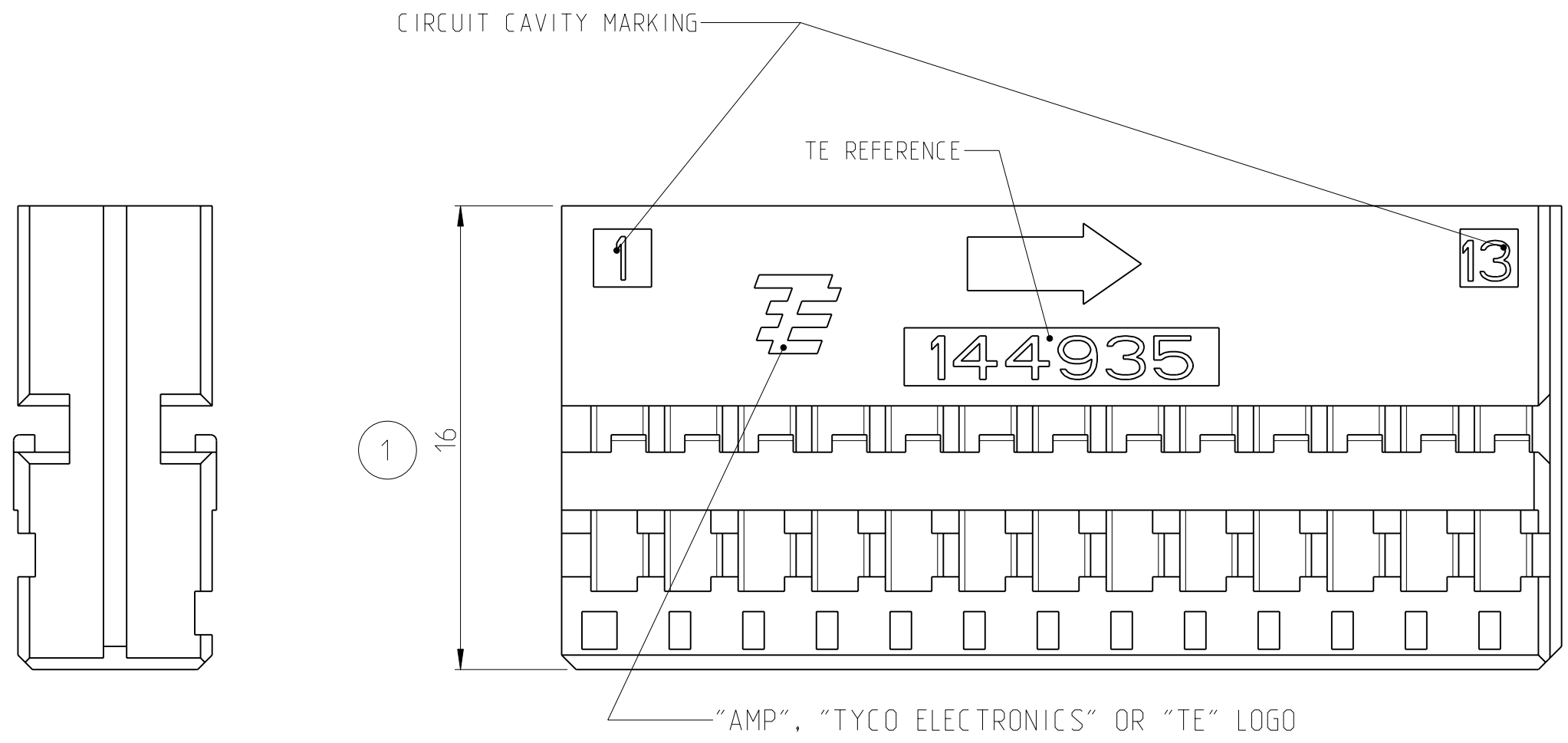


THIS DRAWING IS UNPUBLISHED.  
 DIFFUSION RESTREINTE  
 © COPYRIGHT 2011

RELEASED FOR PUBLICATION  
 LIBRE A LA DIFFUSION  
 20  
 ALL RIGHTS RESERVED.  
 TOUS DROITS RESERVES.

LOC	DIST	REVISIONS					
F	00	P	LTR	DESCRIPTION MODIFICATIONS	DATE	DWN DESS.	APVD APP.
		C		LOGO UPDATE AND CORRECTION	21APR2011	EC	XR



THIS DRAWING IS A CONTROLLED DOCUMENT. CE SCHEMA EST UN DOCUMENT CONTROLE.		DWN/DESSINE D. ELISEI 04MAR1993	 TE Connectivity							
DIMENSIONS: mm		CHK/VERIFIE J. LALANGE 08AVR1998			NAME TITRE MODULE MQS 26 VOIES MQS 26W MODULE					
TOLERANCES UNLESS OTHERWISE SPECIFIED: TOLERANCES NON SPECIFIEES		APVD/APPROUVE J. REVIL 08AVR1998	SIZE FORMAT A2	CAGE CODE 00779						
<table border="1"> <tr> <td>PLC DEL</td> <td>±0.3</td> </tr> <tr> <td>PLC DEL</td> <td></td> </tr> <tr> <td>ANGL 45°</td> <td>±5°</td> </tr> </table>		PLC DEL	±0.3	PLC DEL		ANGL 45°	±5°	PRODUCT SPEC SPEC. PRODUIT	DRAWING NO No PLAN C=144935	RESTRICTED TO RESERVE A
PLC DEL	±0.3									
PLC DEL										
ANGL 45°	±5°									
MATERIAL MATIERE PBT	FINISH FINITION	APPLICATION SPEC SPEC. APPLICATION	WEIGHT MASSE APPROX.	UNIFORMITY POUR REFERENCE						
CUSTOMER DRAWING /PLAN CLIENT		SCALE ECHELLE 5:1	SHEET FEUILLE 1	OF DE 1						
		REV C								

144935-1	26 POS. MQS MODULE (MODULE MQS 26 VOIES)	BLACK (NOIR)
TE PART NUMBER (REFERENCE TE)	DESCRIPTION (DESIGNATION)	COLOR (COULEUR)

单击下面可查看定价，库存，交付和生命周期等信息

[>>TE Connectivity\(泰科\)](#)