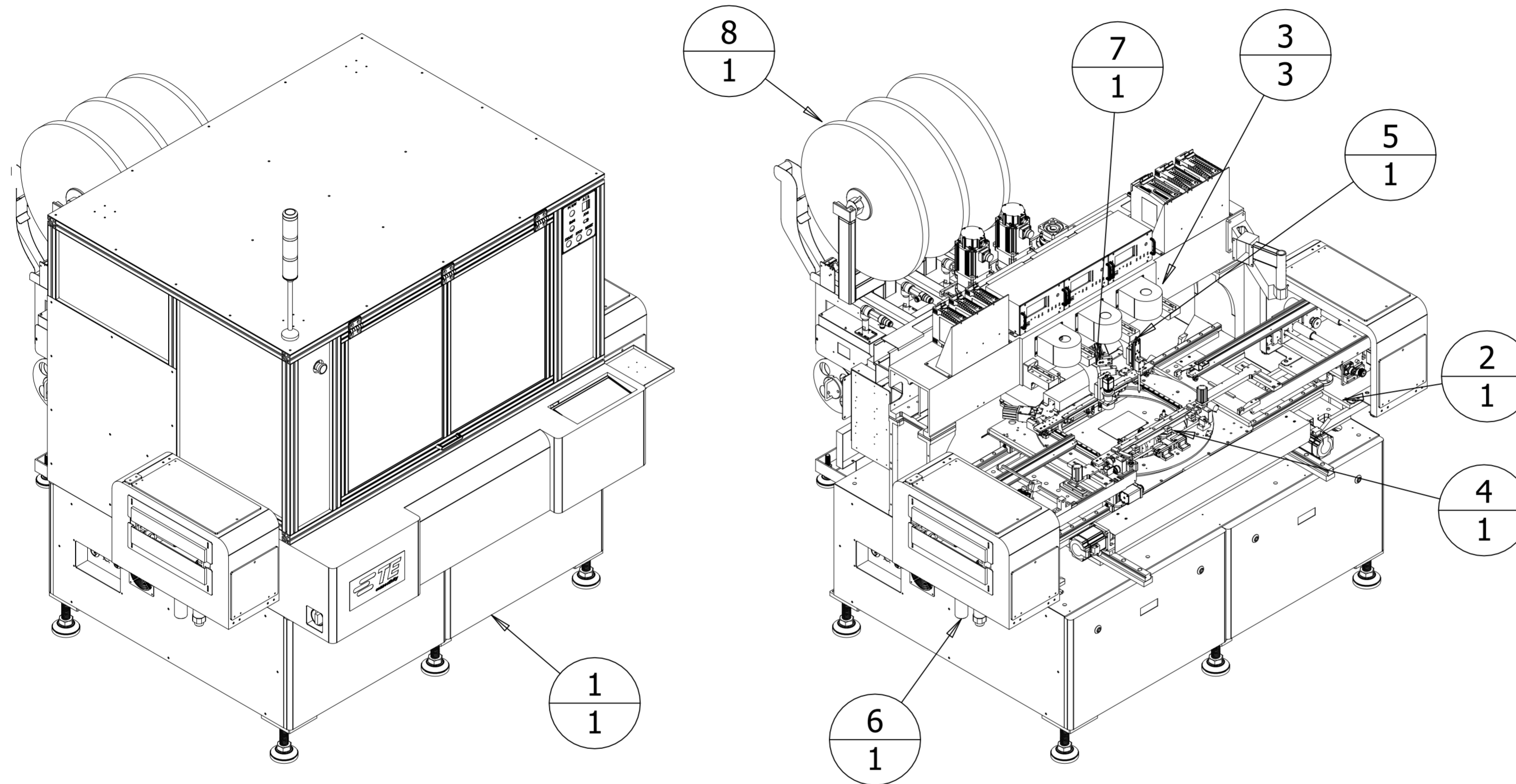


REVISIONS					
P	LTR	DESCRIPTION	DATE	DWN	APVD
A1		INITIAL RELEASE	2022/07/13	-	-



Item	PART NO.	DESCRIPTION	Qty
1	2410421-1	MAIN MACHINE	1
2	2410421-9	TABLE	1
3	2410421-3	INSERT HEAD	3
4	1-2410421-0	ANVIL	1
5	2410421-5	THICKNESS GAUGE	1
6	1-2410421-1	LOADER / UNLOADER	1
7	2410421-7	VISION	1
8	2410421-8	FEEDER	1

THIS DRAWING IS A CONTROLLED DOCUMENT.		DWN	13JUL2022	TE TE Connectivity	
		CHK	WC.PARK		
DIMENSIONS: mm		TOLERANCES UNLESS OTHERWISE SPECIFIED:		NAME	
0 PLC ± -		1 PLC ± -		PRODUCT SPEC	
1 PLC ± -		2 PLC ± -		APPLICATION SPEC	
2 PLC ± -		3 PLC ± -		SIZE	
3 PLC ± -		4 PLC ± -		CAGE CODE	
4 PLC ± -		ANGLES ± -		DRAWING NO	
FINISH		WEIGHT		RESTRICTED TO	
-		-		A2 00779 C=2410420-3	
CUSTOMER DRAWING				SCALE	1:1
				SHEET	1 OF 1
				REV	A1

单击下面可查看定价，库存，交付和生命周期等信息

[>>TE Connectivity\(泰科\)](#)