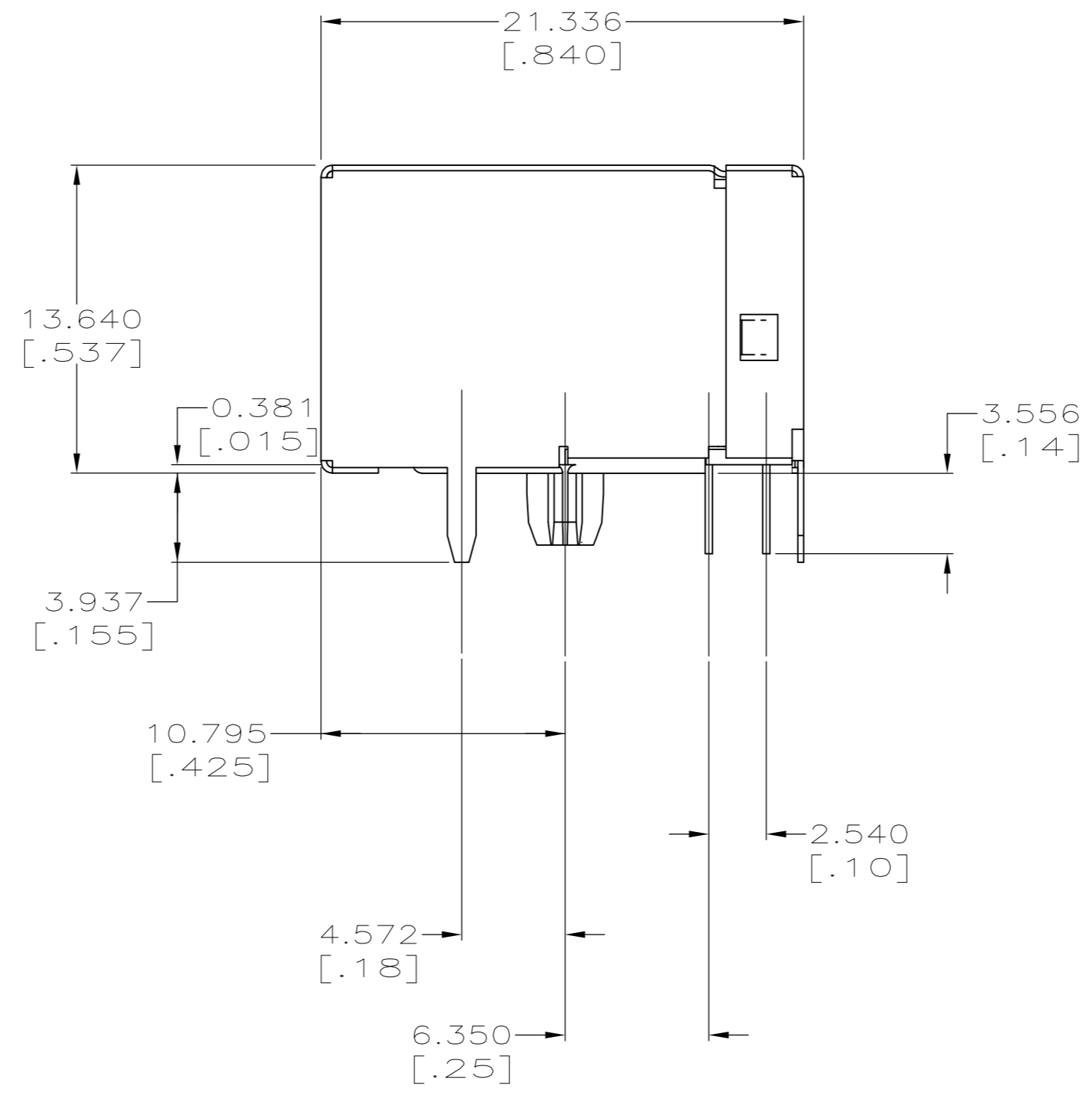
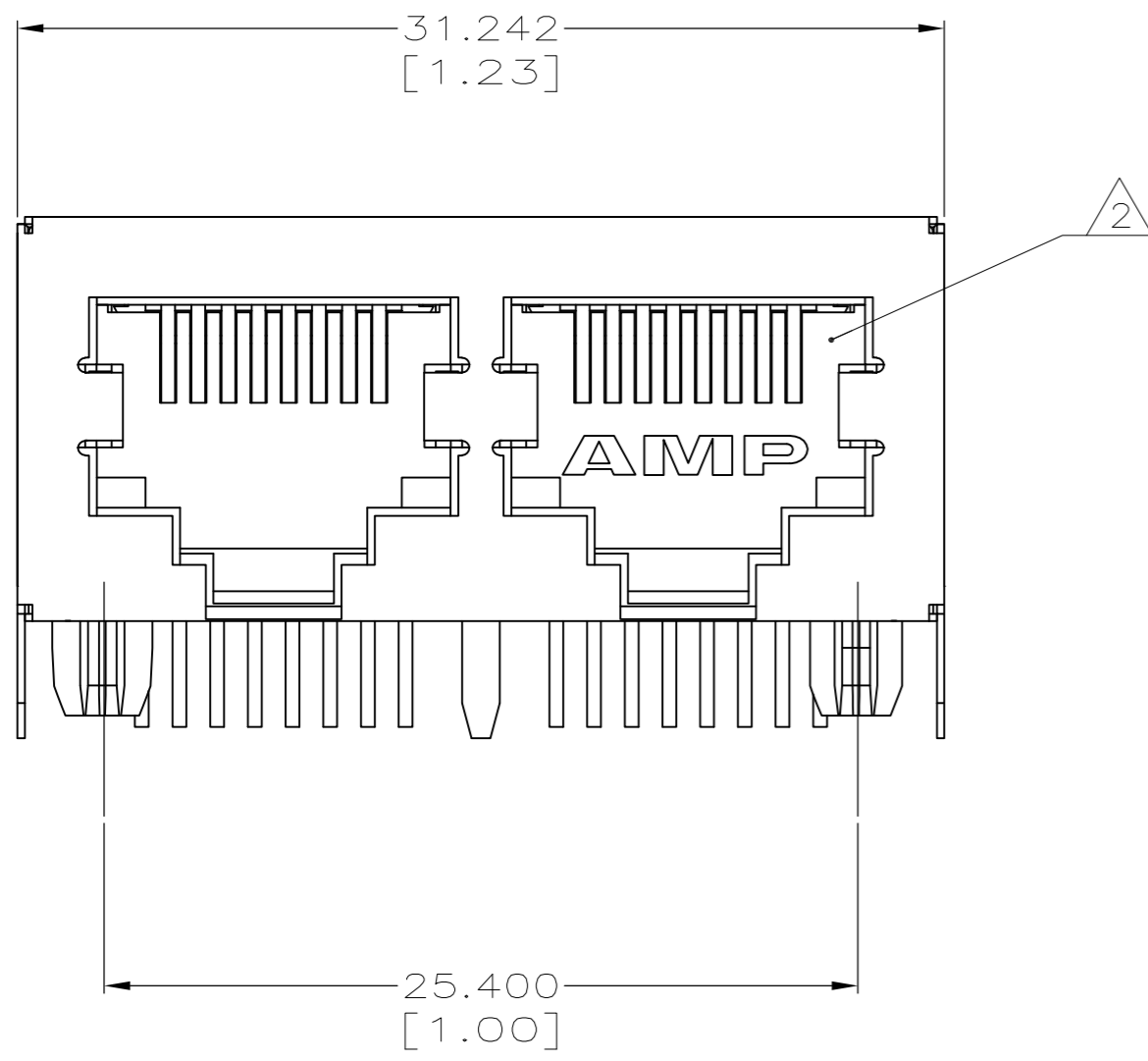
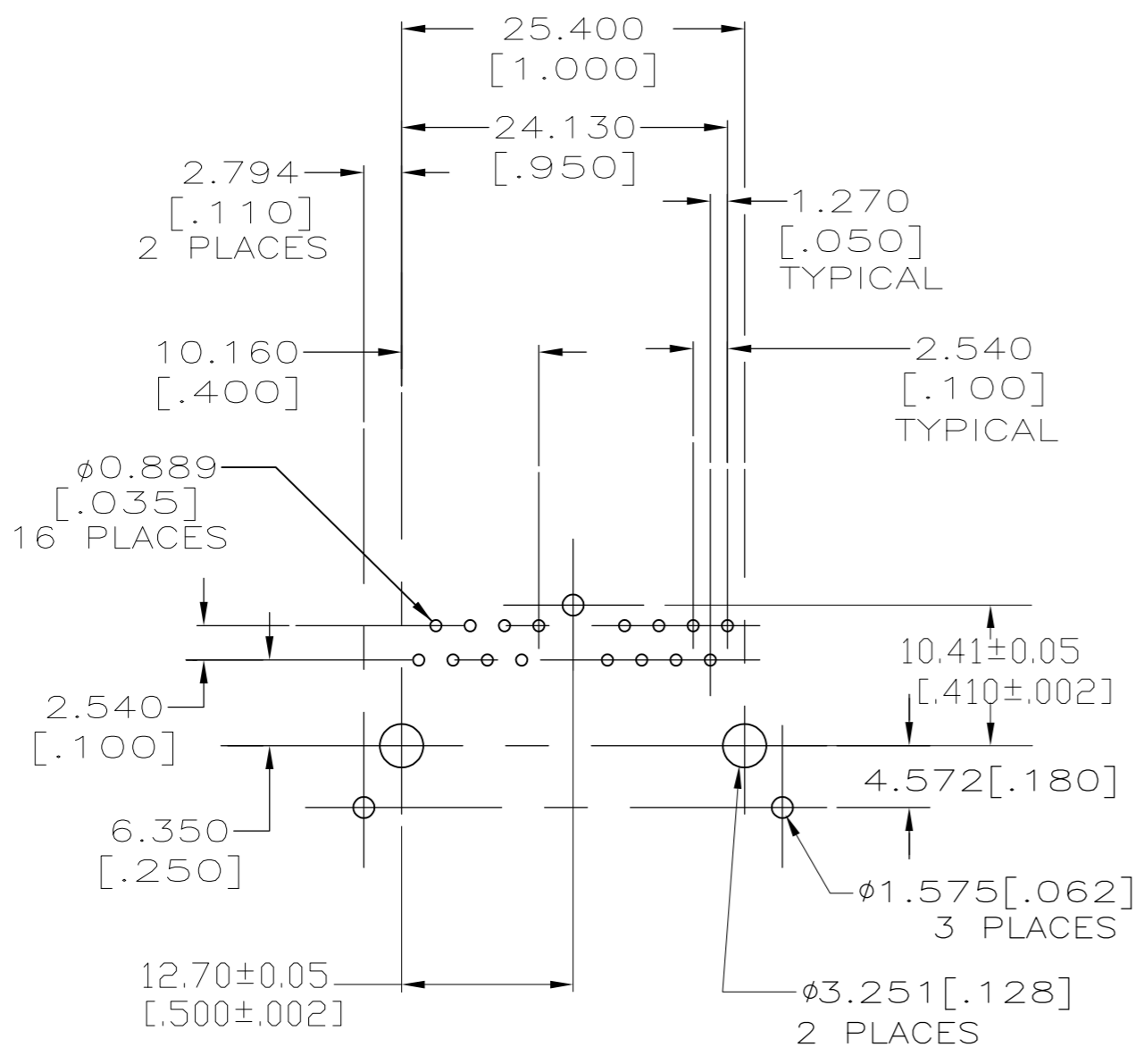


THIS DRAWING IS UNPUBLISHED. RELEASED FOR PUBLICATION
 © COPYRIGHT - By - ALL RIGHTS RESERVED.

LOC		DIST		REVISIONS			
P	LTR	DESCRIPTION	DATE	DWN	APVD		
AA	00	C	ECR-11-025355	19MAR2012	JJ	AC	



- 1. MATERIAL: HOUSING - PCT POLYESTER, BLACK IR COMPATIBLE, UL 94V-0.
 TERMINALS - 0.33 [.013] THICK PHOS BRONZE PLATED WITH 1.27µm [.000050] THICK HARD GOLD IN LOCALIZED AREA AND 3.81µm [.000150] THICK MATTE TIN IN SOLDER AREA OVER 1.27µm [.000050] THICK NICKEL UNDERPLATE.
 SHIELD: .254mm [.010] THICK COPPER ALLOY PLATED WITH 1.27µm [.000050] MINIMUM NICKEL AND 2.03 µm [.000080] MINIMUM HOT TIN DIP ON PCB GROUND TABS.
- 2. JACK CAVITY CONFORMS TO FCC RULES AND REGULATIONS, PART 68 SUBPART F.
- 3. ALL DIMENSIONS ARE NOMINAL UNLESS OTHERWISE SPECIFIED.



SUGGESTED PC BOARD LAYOUT
 COMPONENT SIDE
 SEE APPLICATION SPECIFICATION

1	PRINTED CIRCUIT BOARD GROUND SHIELD	5557570-1
REAR PCB GROUND TABS	DESCRIPTION	PART NUMBER

THIS DRAWING IS A CONTROLLED DOCUMENT.		DWN G. ATTADIA - DOCK5 15JUN2005	TE Connectivity	
DIMENSIONS: mm		CHK J. WESTMAN 15JUN2005	NAME	
TOLERANCES UNLESS OTHERWISE SPECIFIED:		APVD S. FLICKINGER 15JUN2005	PRODUCT SPEC	
0 PLC ± -	1 PLC ± -	108-1163	APPLICATION SPEC	
2 PLC ± 0.25 [.01]	3 PLC ± 0.13 [.005]	114-2048	WEIGHT	
4 PLC ± -	ANGLES ± -	-	SCALE 2:1 SHEET 1 OF 1 REV C	
MATERIAL 1	FINISH 1	CUSTOMER DRAWING	RESTRICTED TO	

单击下面可查看定价，库存，交付和生命周期等信息

[>>TE Connectivity\(泰科\)](#)