

4

3

2

1

THIS DRAWING IS UNPUBLISHED. RELEASED FOR PUBLICATION 20  
 © COPYRIGHT 20 BY - ALL RIGHTS RESERVED.

REVISIONS				
P	LTR	DESCRIPTION	DATE	APVD
B		REVISED PER ECO-18-019722	23OCT2018	IT SH
B1		REVISED PER ECR-19-006373	19APR2019	IT SH
C		REVISED PER ECO-20-002186	17FEB2020	SH SH
D		UPDATED 1-2'S CAGE AND CLIP PER REQUEST	5NOV2021	SH SZ

HEAT SINK CLIP PIN HEAT SINK

FIN HEAT SINK

CAGE ASSEMBLY

2170806-1,2,3,4,5,6 AS SHOWN  
SCALE 2:1

2170806-8,1-2170806-0  
AS SHOWN  
SCALE 2:1

- COMPONENTS  
 CAGE ASSEMBLY: NICKEL-SILVER ALLOY  
 HEAT SINK: ALUMINUM/BLACK ANODIZE  
 HEAT SINK CLIP: STAINLESS STEEL  
 EMI SPRING: COPPER ALLOY/NICKEL PLATE
- REFERENCE APPLICATION SPECIFICATION 114-32023 FOR RECOMMENDED DRILL HOLE DIAMETER AND PLATING THICKNESS
- DATUM AND BASIC DIMENSION ESTABLISHED BY CUSTOMER
- DIMENSION APPLIES WITH MODULE INSERTED IN CAGE
- HEAT SINKS, HEAT SINK CLIPS AND LIGHT PIPES ARE SHIPPED ASSEMBLED ON CAGE
- MINIMUM PC BOARD THICKNESS: SINGLE SIDED: 1.57 MIN  
DOUBLE SIDED: 3.00 MIN
- DATUM **-A-** IS TOP SURFACE OF THE HOST BOARD.
- THESE HOLES ARE OPTIONAL WHEN THE REAR PINS ARE REMOVED.
- MATES WITH QSFP28 MSA COMPATIBLE TRANSCEIVER.
- DATE CODE (YYWWD) MARKED APPROXIMATELY AS SHOWN.

3.0 MAX

DETAIL D  
SCALE 4:1

40.45 REF  
38.50 REF  
2X 18.75±0.10  
2X 8.90±0.10  
11.60 REF  
9.65 REF  
7.88 18.50  
REAR PIN OPTIONAL

SCALE 2:1

61.34 REF  
-T-  
2.05 TYP  
A MAX  
17.90  
SEE DETAIL D  
CL OF GUIDE POST

A MAX

2170806-8,1-2170806-0 AS SHOWN  
SCALE 2:1

31.7	FIN	WITHOUT	CUSTOMIZED	1-2170806-2
15.0	FIN	WITHOUT	CUSTOMIZED	1-2170806-0
16.0	FIN	WITHOUT	SAN	2170806-8
23.0	PIN	WITHOUT	NETWORKING	2170806-6
16.0	PIN	WITHOUT	SAN	2170806-5
13.7	PIN	WITHOUT	PCI	2170806-4
23.0	PIN	WITH	NETWORKING	2170806-3
16.0	PIN	WITH	SAN	2170806-2
13.7	PIN	WITH	PCI	2170806-1
DIM A	HEATSINK TYPE	REAR PINS OPTIONAL	APPLICATION	PART NUMBER

THIS DRAWING IS A CONTROLLED DOCUMENT.

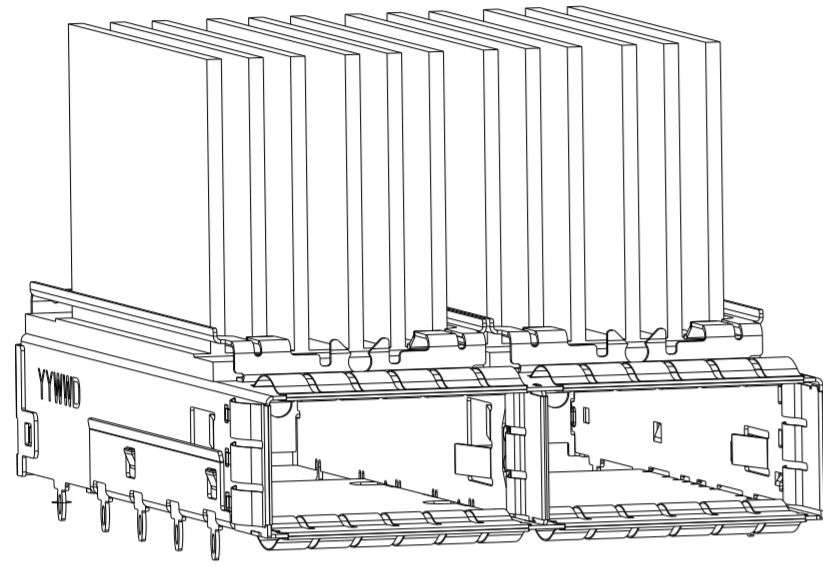
DIMENSIONS: mm	TOLERANCES UNLESS OTHERWISE SPECIFIED: 0 PLC ± 1 PLC ±0.25 2 PLC ±0.2 3 PLC ± 4 PLC ± ANGLES ±	DWN HANK WU 15SEP2014 CHK JASON YANG 15SEP2014 APVD SEAN HAN 02FEB2016	TE Connectivity	
MATERIAL SEE NOTES	FINISH SEE NOTES	PRODUCT SPEC 108-19428 APPLICATION SPEC 114-32023	NAME RECEPTACLE CAGE ASSEMBLY WITH HEAT SINKS THRU BEZEL, 1X2, QSFP28 SIZE A2 CAGE CODE 00779 DRAWING NO C-2170806 RESTRICTED TO -	
CUSTOMER DRAWING		WEIGHT -	SCALE 1:1	SHEET 1 OF 6 REV D

1471-9 (3/13)

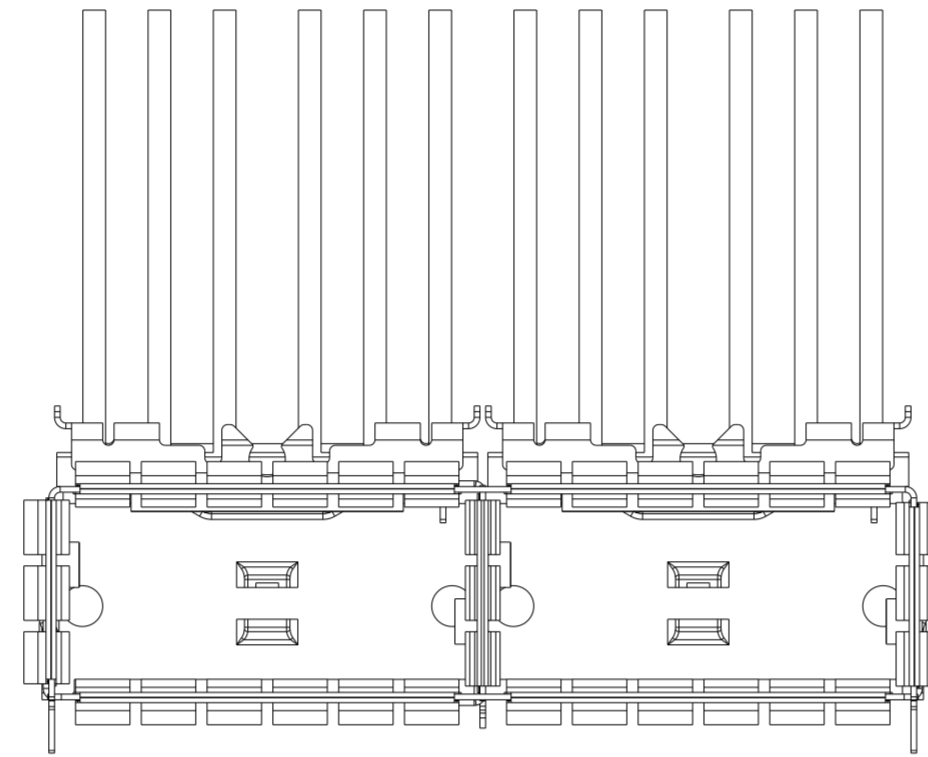
Downloaded From [Onevac.com](http://Onevac.com)

THIS DRAWING IS UNPUBLISHED. RELEASED FOR PUBLICATION 20  
 © COPYRIGHT 20 BY - ALL RIGHTS RESERVED.

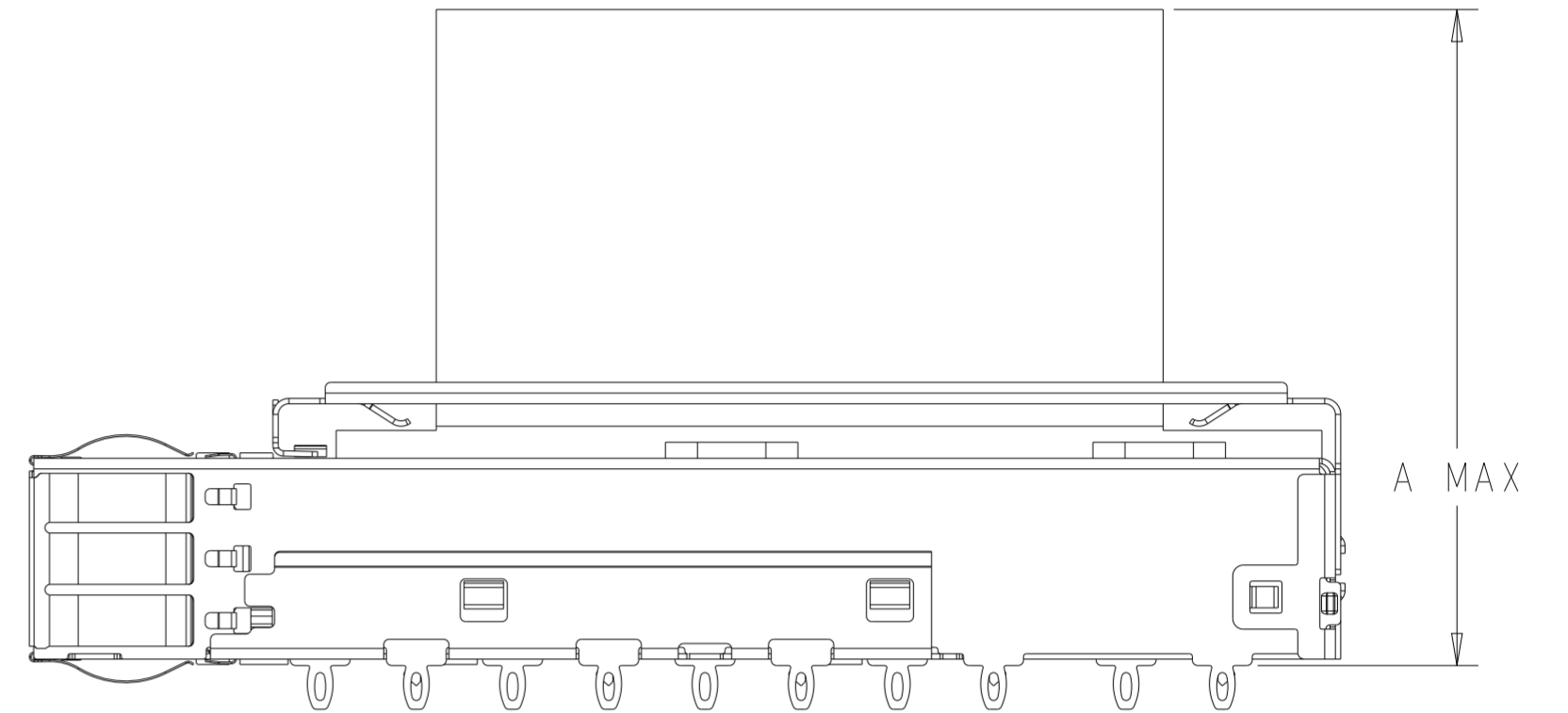
REVISIONS				
P	LTR	DESCRIPTION	DATE	APVD
-		SEE SHEET 1	-	-



SCALE 2:1



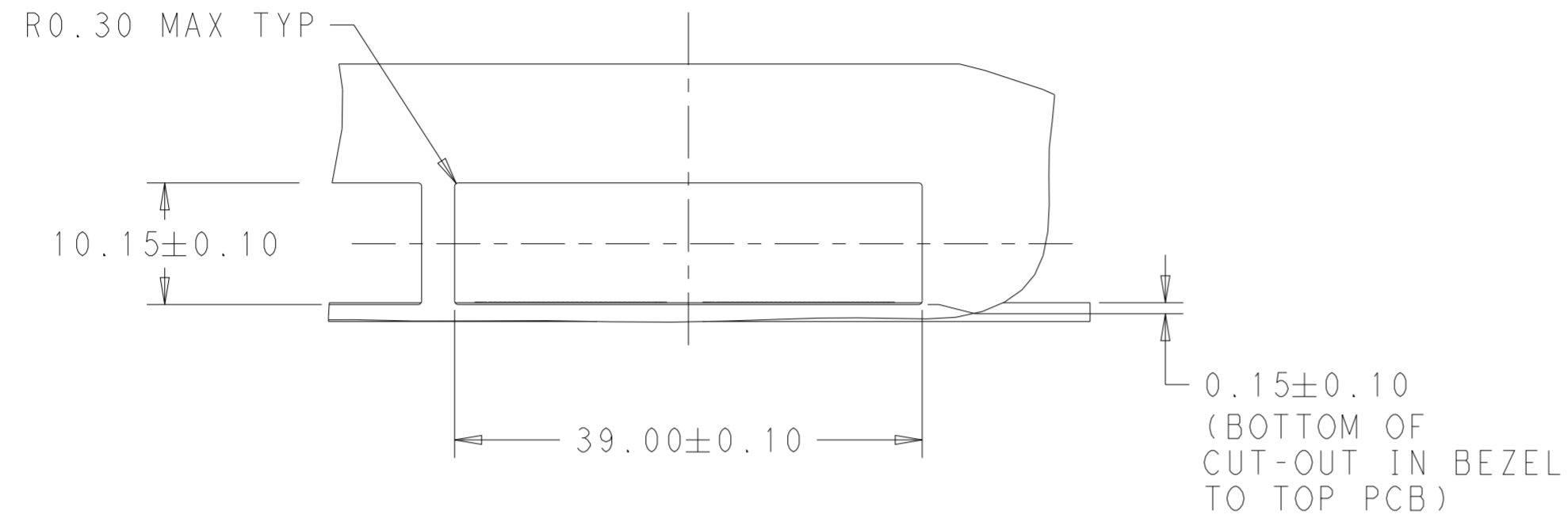
1-2170806-2 AS SHOWN  
 UNMAKED DIMENSION SAME AS -4  
 SCALE 3:1



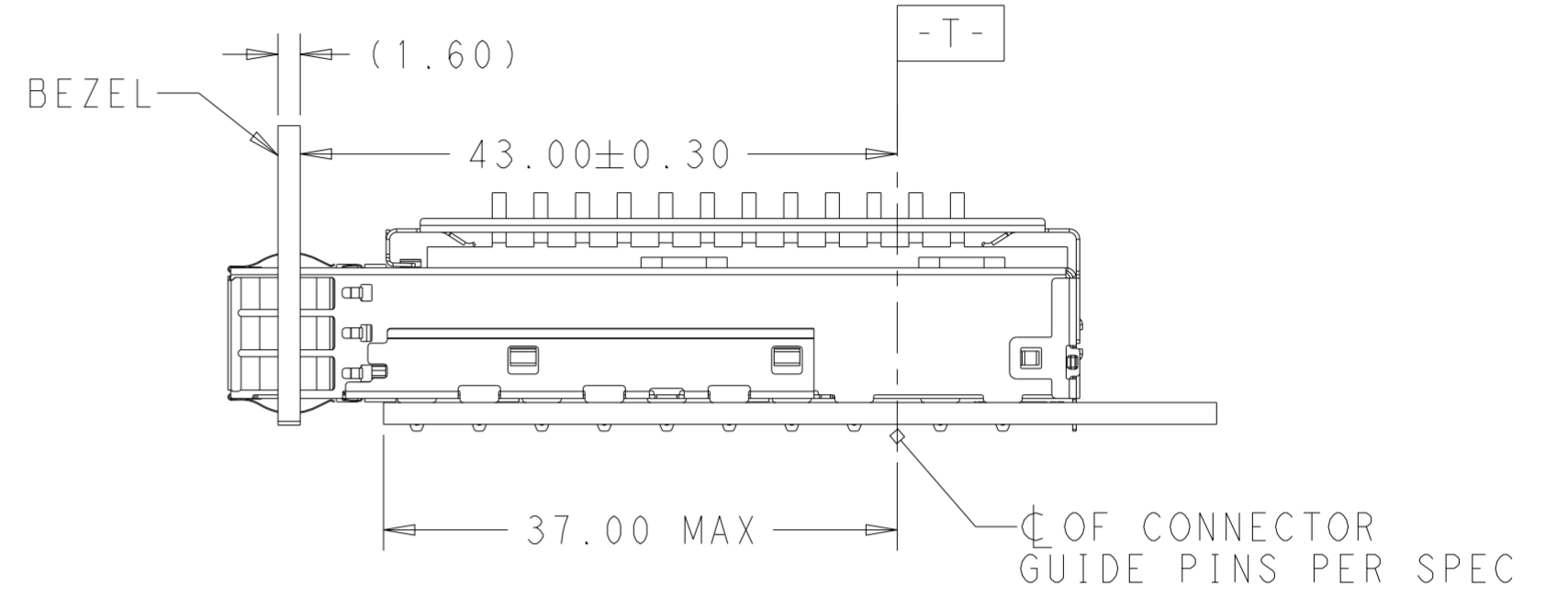
THIS DRAWING IS A CONTROLLED DOCUMENT.		DWN HANK WU 15SEP2014	<b>STE</b> TE Connectivity	
DIMENSIONS: mm		CHK JASON YANG 15SEP2014		
TOLERANCES UNLESS OTHERWISE SPECIFIED:		APVD SEAN HAN 02FEB2016	NAME RECEPTACLE CAGE ASSEMBLY WITH HEAT SINKS THRU BEZEL, 1X2, QSFP28	
0 PLC ±		PRODUCT SPEC 108-19428	SIZE CAGE CODE DRAWING NO RESTRICTED TO	
1 PLC ±0.25		APPLICATION SPEC 114-32023	A200779 C-2170806	
2 PLC ±0.2		WEIGHT -	SCALE 1:1 SHEET 2 OF 6 REV D	
3 PLC ±		CUSTOMER DRAWING		
4 PLC ±				
ANGLES ±				
FINISH				
MATERIAL SEE NOTES				
FINISH SEE NOTES				

THIS DRAWING IS UNPUBLISHED. RELEASED FOR PUBLICATION 20  
 © COPYRIGHT 20 BY - ALL RIGHTS RESERVED.

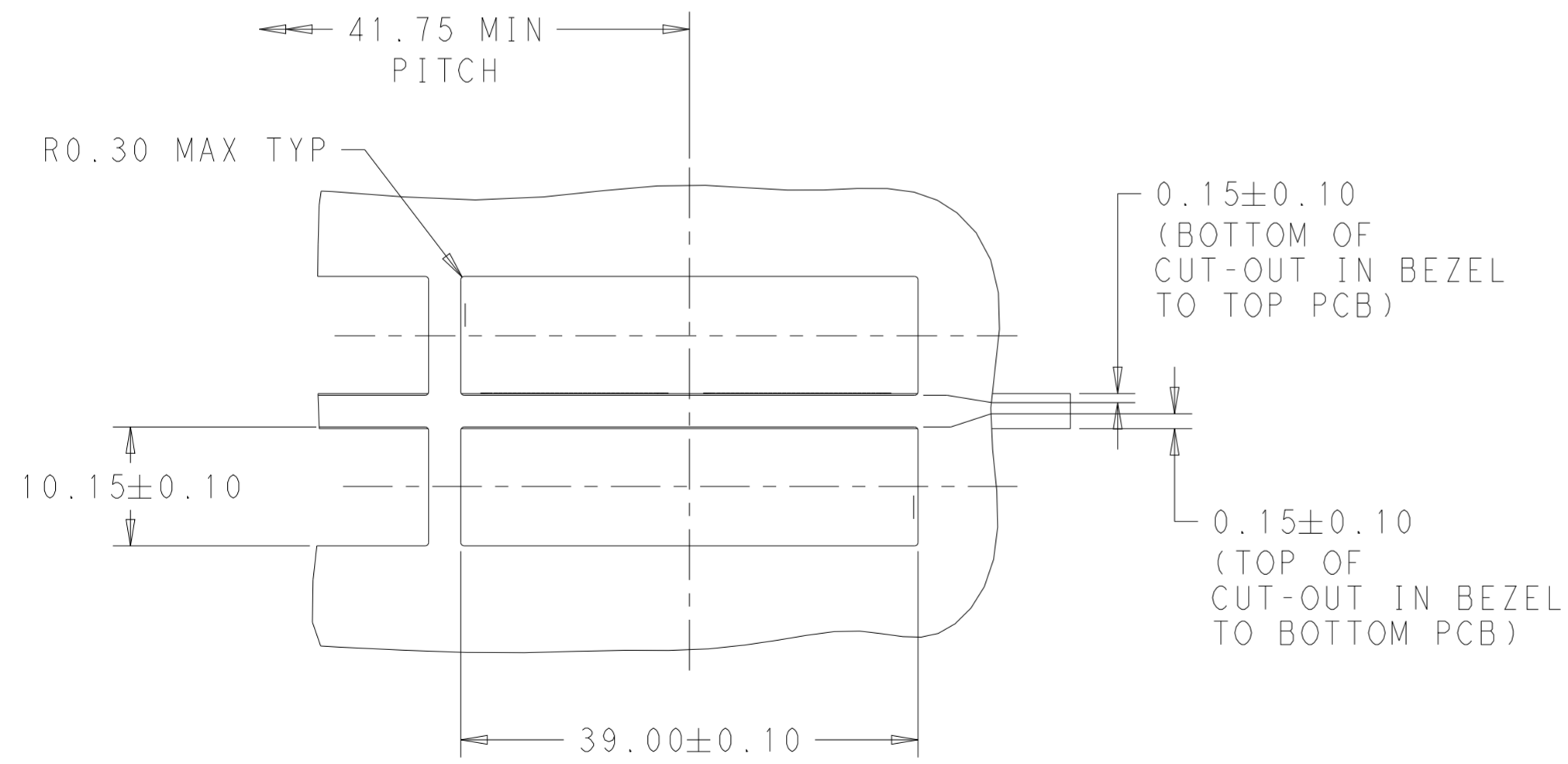
REVISIONS				
P	LTR	DESCRIPTION	DATE	APVD
-	-	SEE SHEET 1	-	-



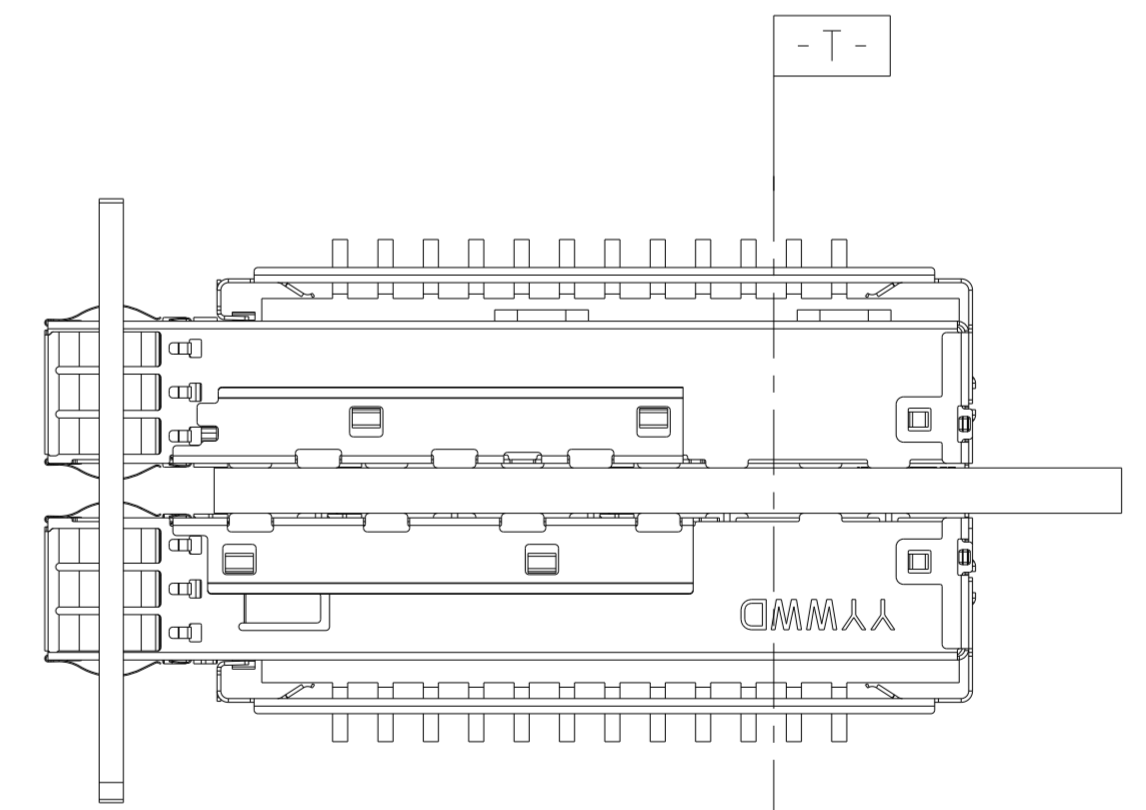
CAGE ASSEMBLY IS OMITTED



SINGLE SIDE MOUNTING  
SCALE 2:1



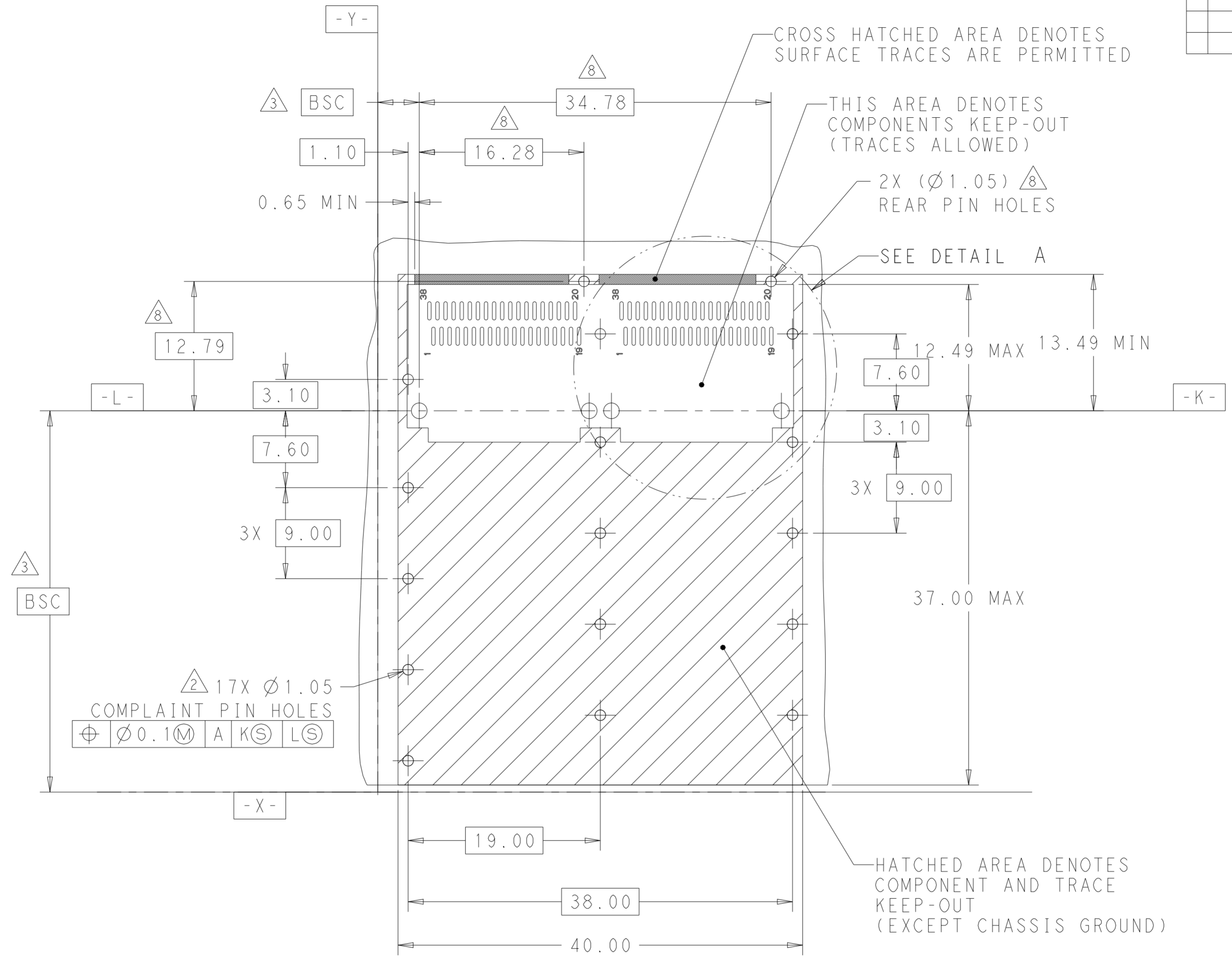
CAGE ASSEMBLY IS OMITTED




BELLY TO BELLY MOUNTING  
SCALE 2:1

THIS DRAWING IS A CONTROLLED DOCUMENT.		DWN HANK WU 15SEP2014	<b>STE</b> TE Connectivity	
DIMENSIONS: mm		CHK JASON YANG 15SEP2014		
TOLERANCES UNLESS OTHERWISE SPECIFIED:		APVD SEAN HAN 02FEB2016	NAME RECEPTACLE CAGE ASSEMBLY WITH HEAT SINKS THRU BEZEL, 1X2, QSFP28	
0 PLC ±		PRODUCT SPEC 108-19428	SIZE CAGE CODE DRAWING NO RESTRICTED TO	
1 PLC ±0.25		APPLICATION SPEC 114-32023	A200779 C-2170806	
2 PLC ±0.2		WEIGHT -	SCALE 1:1 SHEET 3 OF 6 REV D	
3 PLC ±		CUSTOMER DRAWING		
4 PLC ±				
ANGLES ±				
FINISH SEE NOTES				

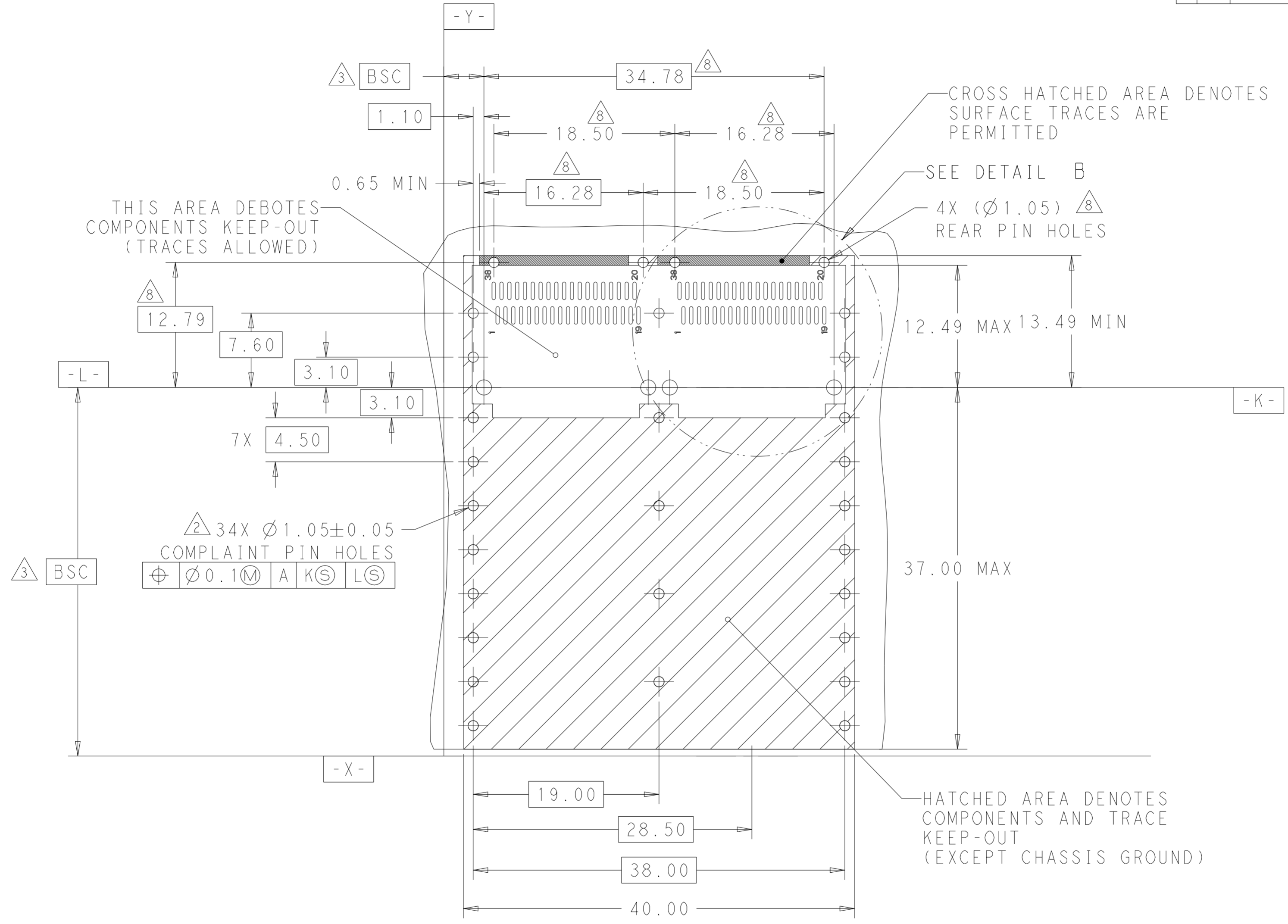
REVISIONS				
P	LTR	DESCRIPTION	DATE	APVD
-	-	SEE SHEET 1	-	-



RECOMMENDED PCB LAYOUT  
 SINGLE TYPE  
 PCB TOLERANCE: ±0.05  
 SCALE 3:1

THIS DRAWING IS A CONTROLLED DOCUMENT.		DWN HANK WU 15SEP2014	 TE Connectivity
DIMENSIONS: mm		CHK JASON YANG 15SEP2014	
TOLERANCES UNLESS OTHERWISE SPECIFIED:		APVD SEAN HAN 02FEB2016	NAME RECEPTACLE CAGE ASSEMBLY WITH HEAT SINKS THRU BEZEL, 1X2, QSFP28
0 PLC ± 1 PLC ±0.25 2 PLC ±0.2 3 PLC ± 4 PLC ± ANGLES ± FINISH SEE NOTES		PRODUCT SPEC 108-19428	SIZE CAGE CODE DRAWING NO RESTRICTED TO
MATERIAL SEE NOTES		APPLICATION SPEC 114-32023	A200779 C-2170806
		WEIGHT -	SCALE 1:1 SHEET 4 OF 6 REV D
		CUSTOMER DRAWING	

REVISIONS				
P	LTR	DESCRIPTION	DATE	APVD
-	-	SEE SHEET 1	-	-

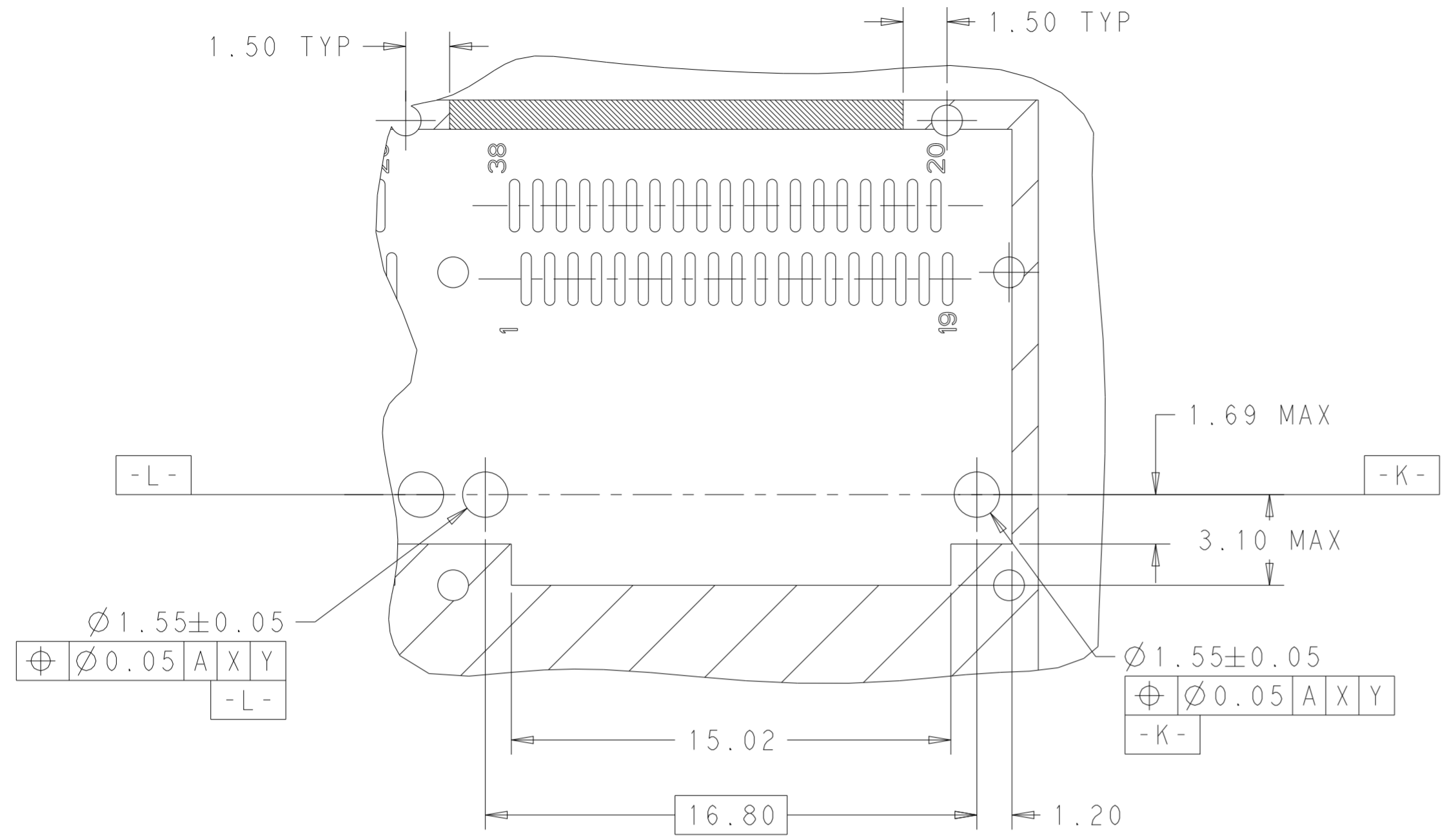


RECOMMENDED PCB LAYOUT  
 BELLY TO BELLY TYPE  
 PCB TOLERANCE: ±0.05  
 SCALE 3:1

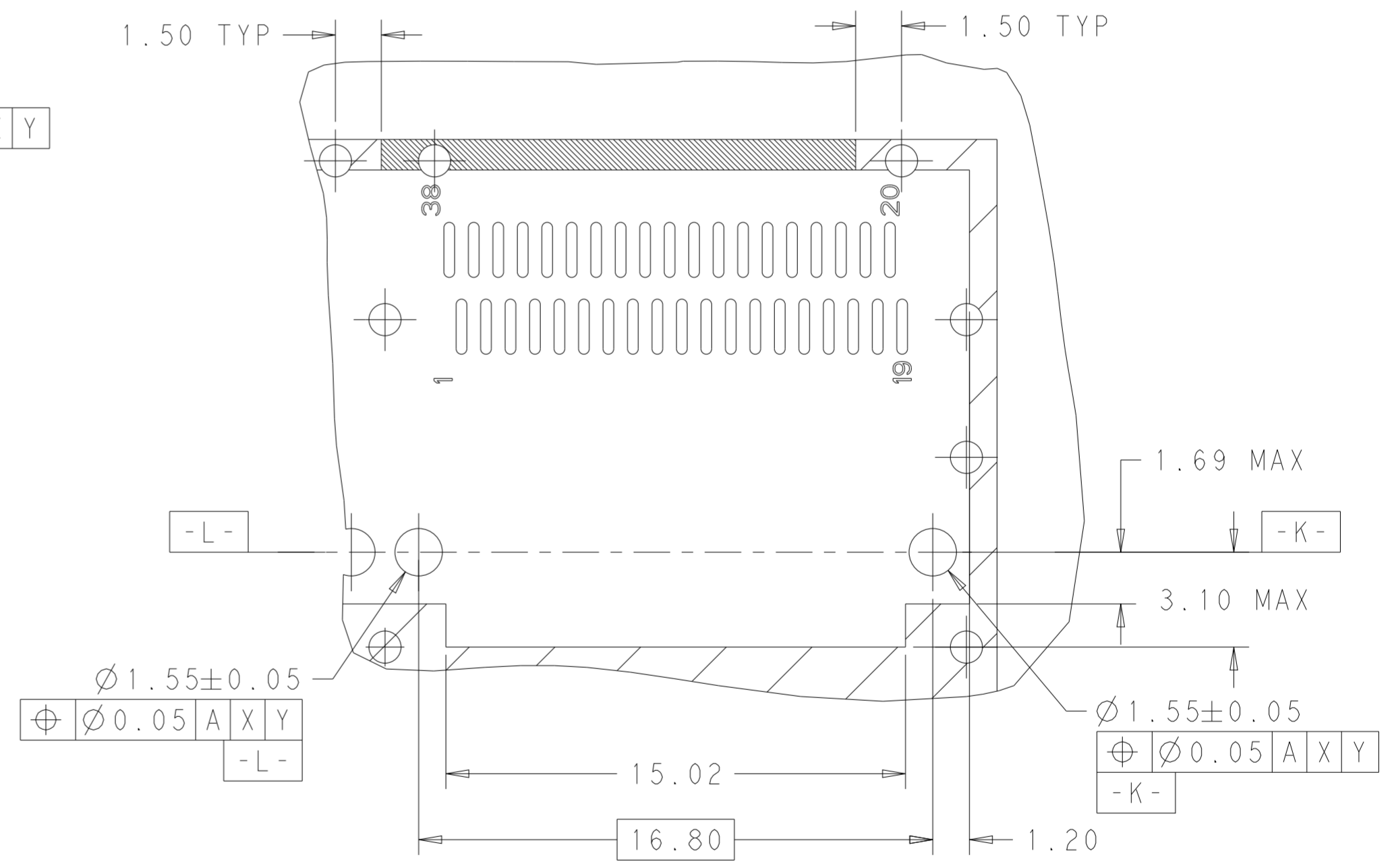
THIS DRAWING IS A CONTROLLED DOCUMENT.		DWN HANK WU 15SEP2014	TE Connectivity	
DIMENSIONS: mm		CHK JASON YANG 15SEP2014		
TOLERANCES UNLESS OTHERWISE SPECIFIED:		APVD SEAN HAN 02FEB2016	NAME RECEPTACLE CAGE ASSEMBLY WITH HEAT SINKS THRU BEZEL, 1X2, QSFP28	
0 PLC ±		PRODUCT SPEC 108-19428	SIZE CAGE CODE DRAWING NO RESTRICTED TO	
1 PLC ±0.25		APPLICATION SPEC 114-32023	A200779 C-2170806	
2 PLC ±0.2		WEIGHT -	SCALE 1:1 SHEET 5 OF 6 REV D	
3 PLC ±		CUSTOMER DRAWING		
4 PLC ±				
ANGLES ±				
FINISH SEE NOTES				

THIS DRAWING IS UNPUBLISHED. RELEASED FOR PUBLICATION 20  
 © COPYRIGHT 20 BY - ALL RIGHTS RESERVED.


REVISIONS				
P	LTR	DESCRIPTION	DATE	APVD
-	-	SEE SHEET 1	-	-



DETAIL A  
SCALE 6:1



DETAIL B  
SCALE 6:1

THIS DRAWING IS A CONTROLLED DOCUMENT.		DWN HANK WU 15SEP2014	 TE Connectivity	
DIMENSIONS: mm		CHK JASON YANG 15SEP2014		
TOLERANCES UNLESS OTHERWISE SPECIFIED:		APVD SEAN HAN 02FEB2016	NAME RECEPTACLE CAGE ASSEMBLY WITH HEAT SINKS THRU BEZEL, 1X2, QSFP28	
0 PLC ±	1 PLC ±0.25	PRODUCT SPEC 108-19428	SIZE	CAGE CODE
2 PLC ±0.2	3 PLC ±	APPLICATION SPEC 114-32023	A2	00779
4 PLC ±	ANGLES ±	WEIGHT -	DRAWING NO	RESTRICTED TO
MATERIAL SEE NOTES	FINISH SEE NOTES	CUSTOMER DRAWING	C-2170806	-
		SCALE 1:1	SHEET 6 OF 6	REV D

单击下面可查看定价，库存，交付和生命周期等信息

[>>TE Connectivity\(泰科\)](#)