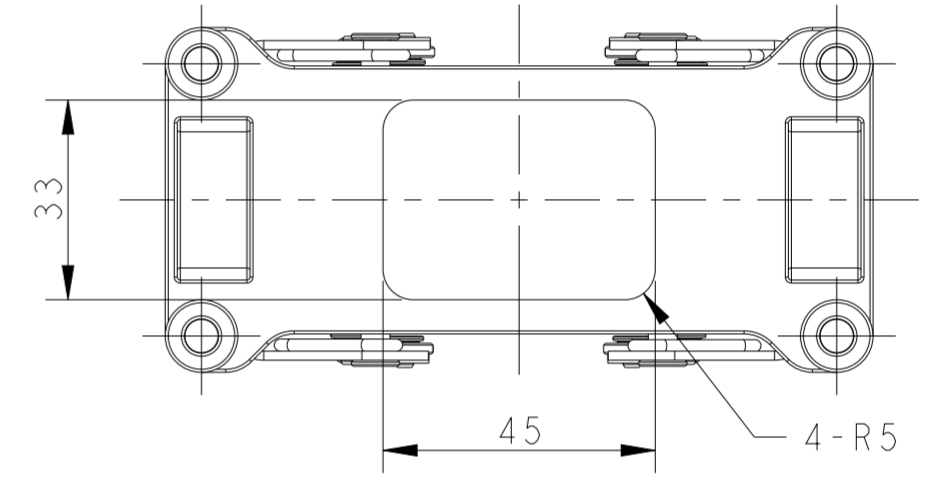
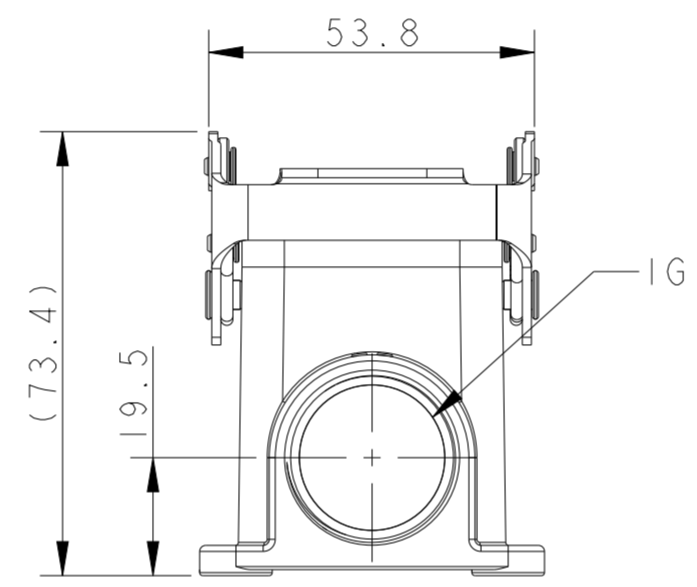
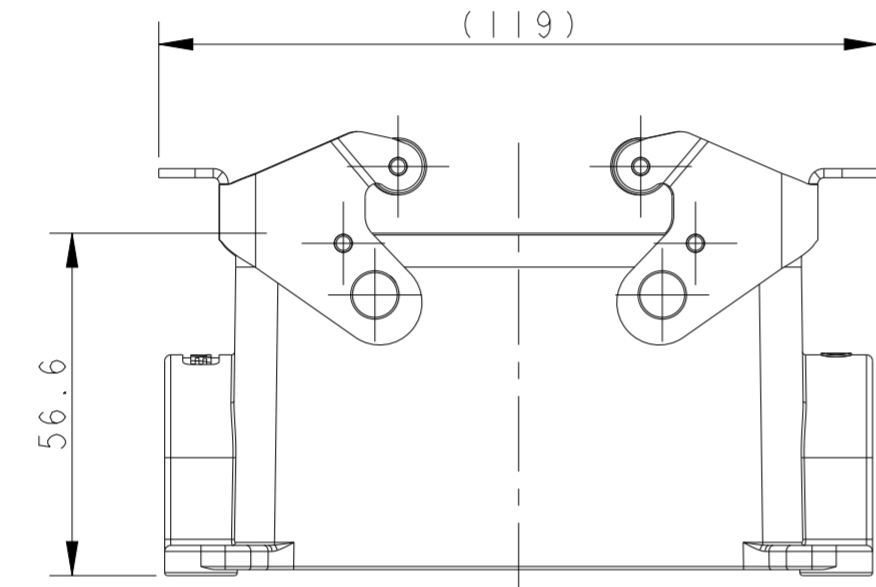
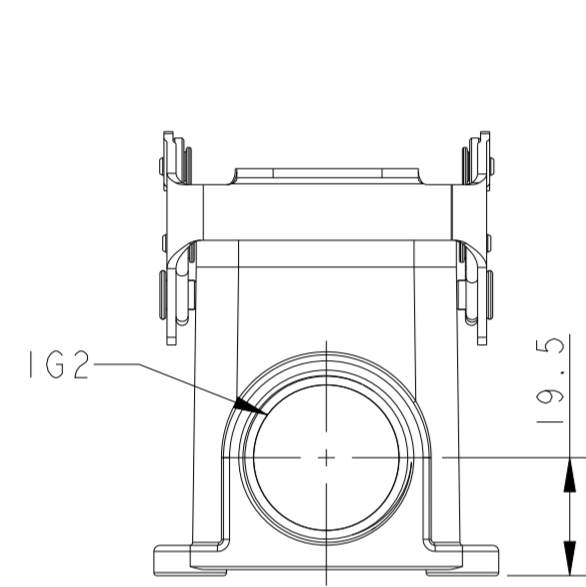
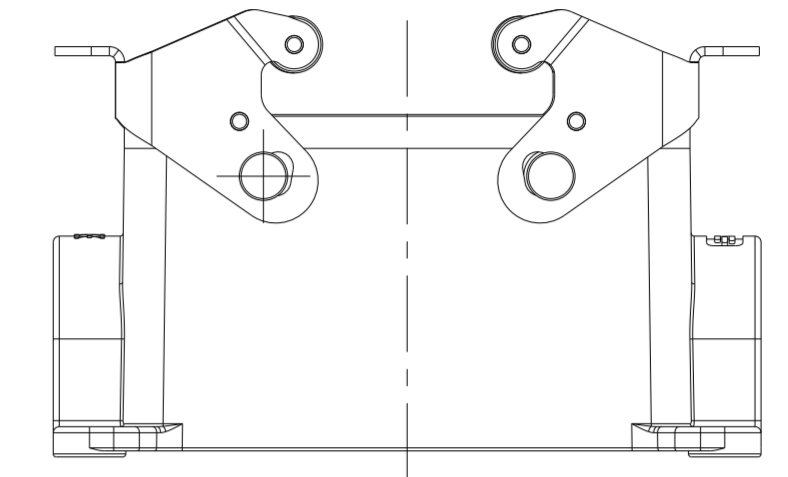
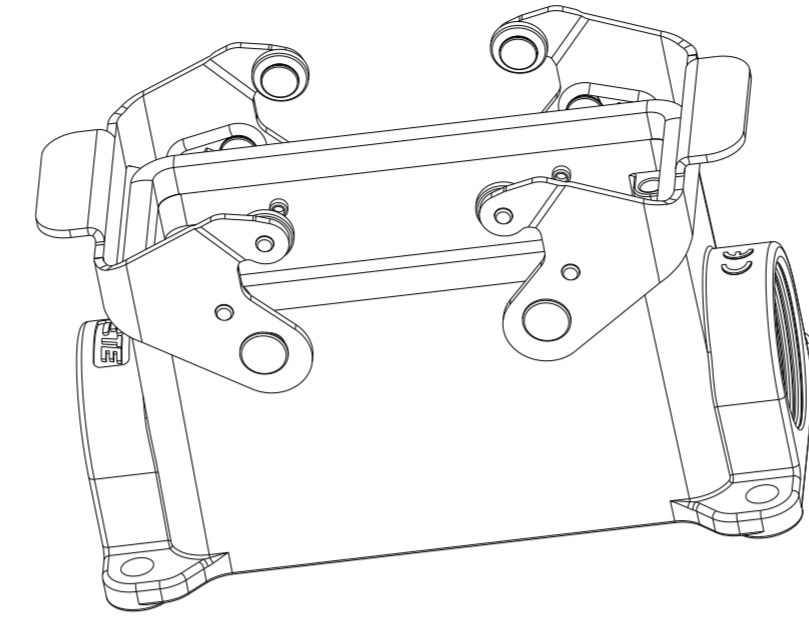
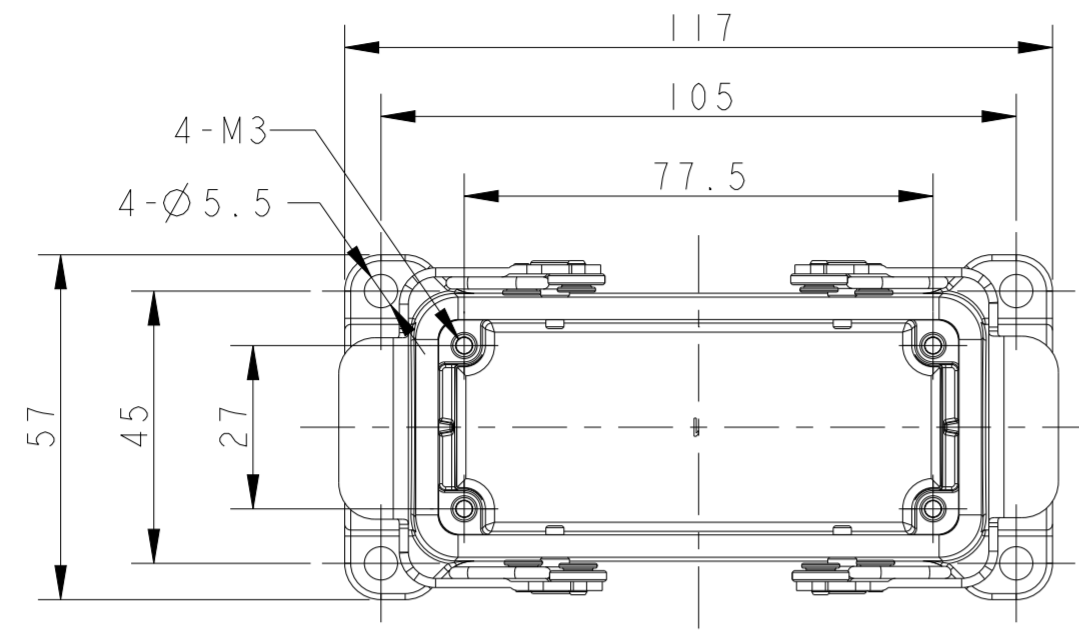


THIS DRAWING IS UNPUBLISHED. RELEASED FOR PUBLICATION 20
 © COPYRIGHT 20 BY - ALL RIGHTS RESERVED.

REVISIONS					
P	LTR	DESCRIPTION	DATE	DWN	APVD
A		INITIAL RELEASE	19JUN2015	DL	CW
B		ECR-20-008190	09SEP2020	WOR	CW

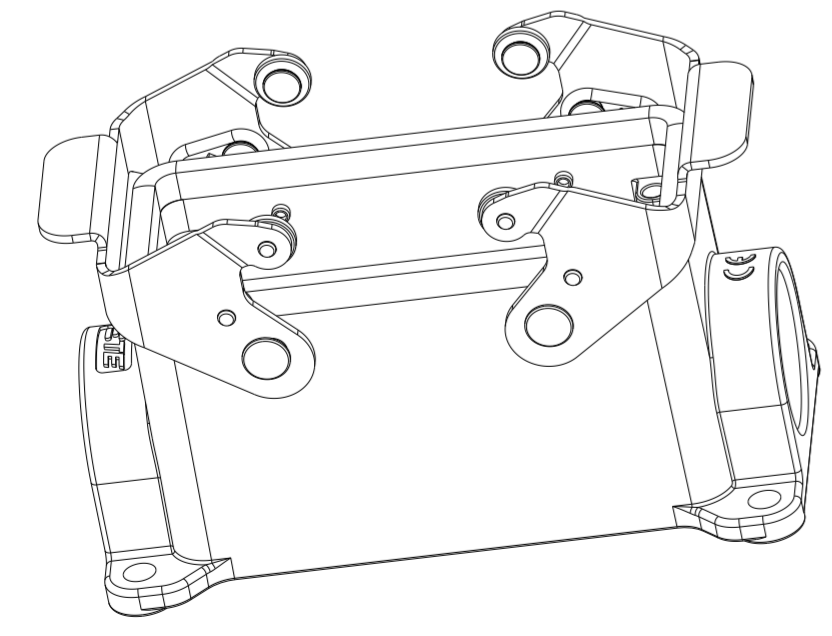


TYPE 1: BODY + STAINLESS STEEL LOCKING

TYPE 3: BODY + STAINLESS STEEL LOCKING
 BOTTOM CUT OUT
 OTHER SPEC REFER TO TYPE 1

NOTES:
 1. TECHNICAL CHARACTERISTICS:
 BODY MATERIAL: DIE CAST ALUMINIUM ALLOY
 SURFACE TREATMENT: POWDER-COATED, COLOR SEE TABLE
 DEGREE OF PROTECTION: IP65 (MATED)

注释:
 1. 技术参数:
 主体材料: 铝合金
 表面处理: 粉末喷涂, 颜色见表格
 防护等级: IP65(配合)



TYPE 2: BODY + STAINLESS STEEL LOCKING
 SILVER WHITE COATED
 OTHER SPEC REFER TO TYPE 1

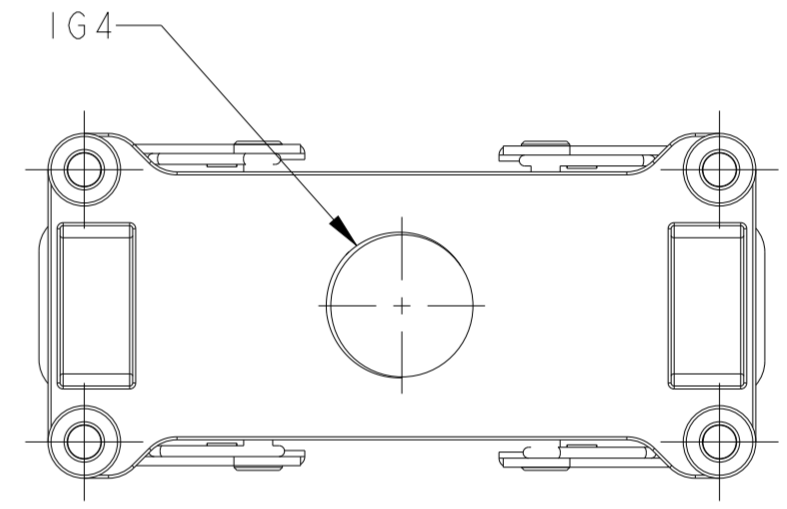
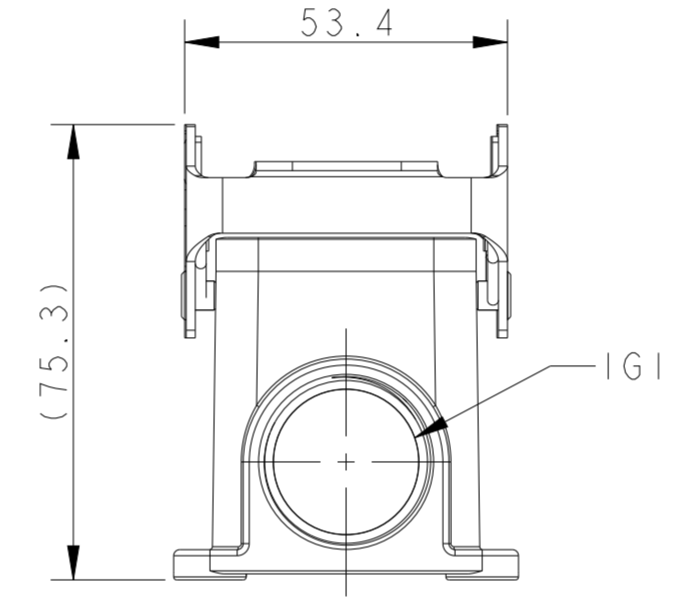
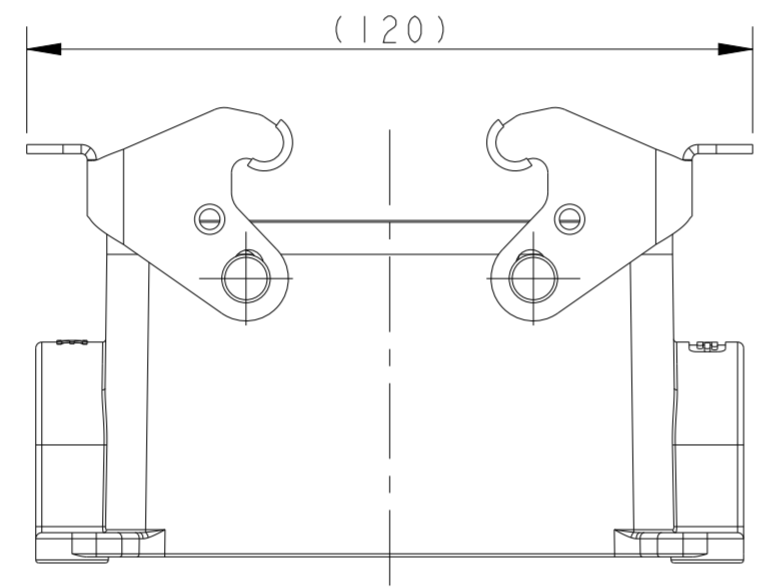
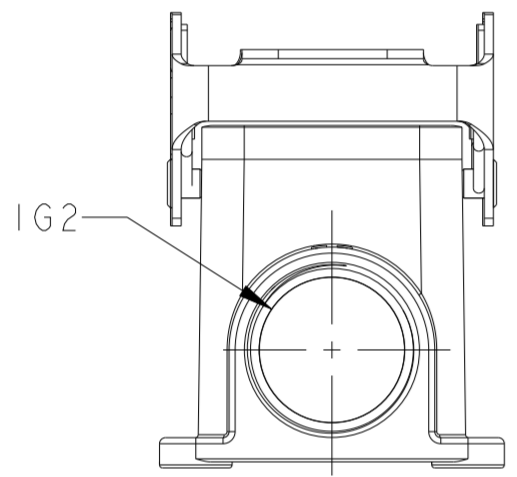
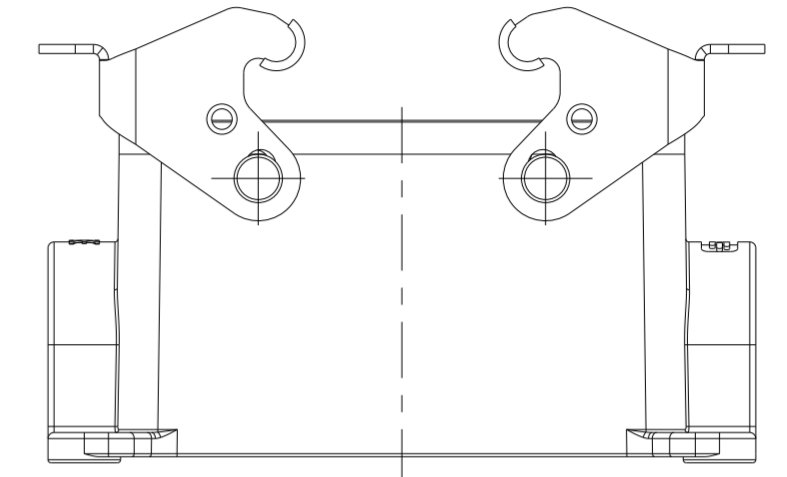
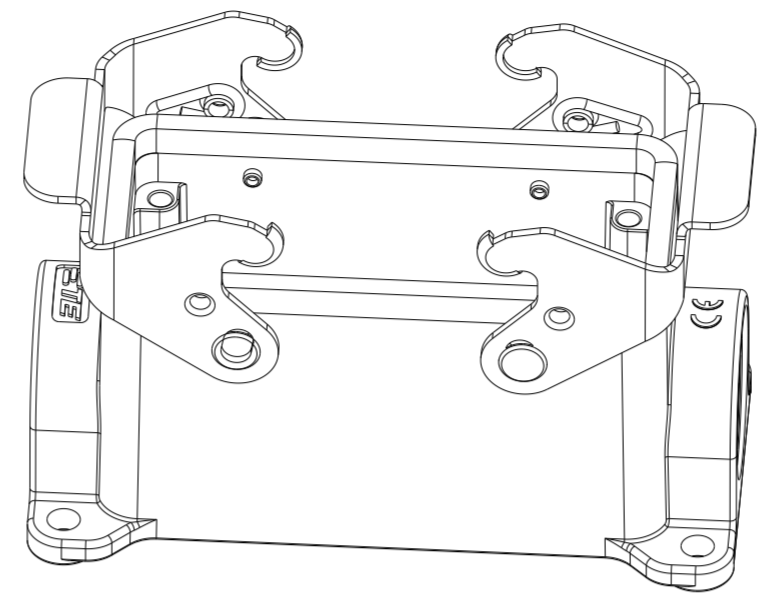
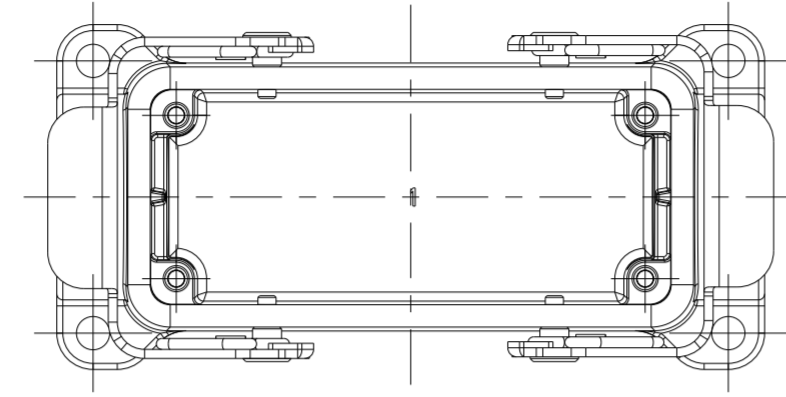
ASSEMBLY PART NUMBER	TYPE	ASSEMBLY PART DESCRIPTION	COLOR	IG1	IG2
TI440161121-000	TYPE 1	HI6B-SGRS-PG21	GRAY	PG21	-
TI440161125-000		HI6B-SGRS-M25		M25	-
TI440161221-000		HI6B-SGRS-2PG21		PG21	PG21
TI440161225-000		HI6B-SGRS-2M25		M25	M25
TI440161121-100	TYPE 2	HI6B-SGRS-PG21	SILVER WHITE	PG21	-
TI440160000-000	TYPE 3	HI6B-SGRS-T	GRAY	-	-

THIS DRAWING IS A CONTROLLED DOCUMENT.

DWN DAVID LI 19JUN2015	TE Connectivity		
CHK CHRIS WANG 19JUN2015			
APVD XU XIANG 19JUN2015			
NAME HI6B-SGRS-PG/M			
DIMENSIONS: mm	TOLERANCES UNLESS OTHERWISE SPECIFIED:	PRODUCT SPEC 108-137013	APPLICATION SPEC 114-137013
MATERIAL -	FINISH -	WEIGHT -	SIZE A2
CUSTOMER DRAWING		SCALE 1:1	SHEET 1 OF 2

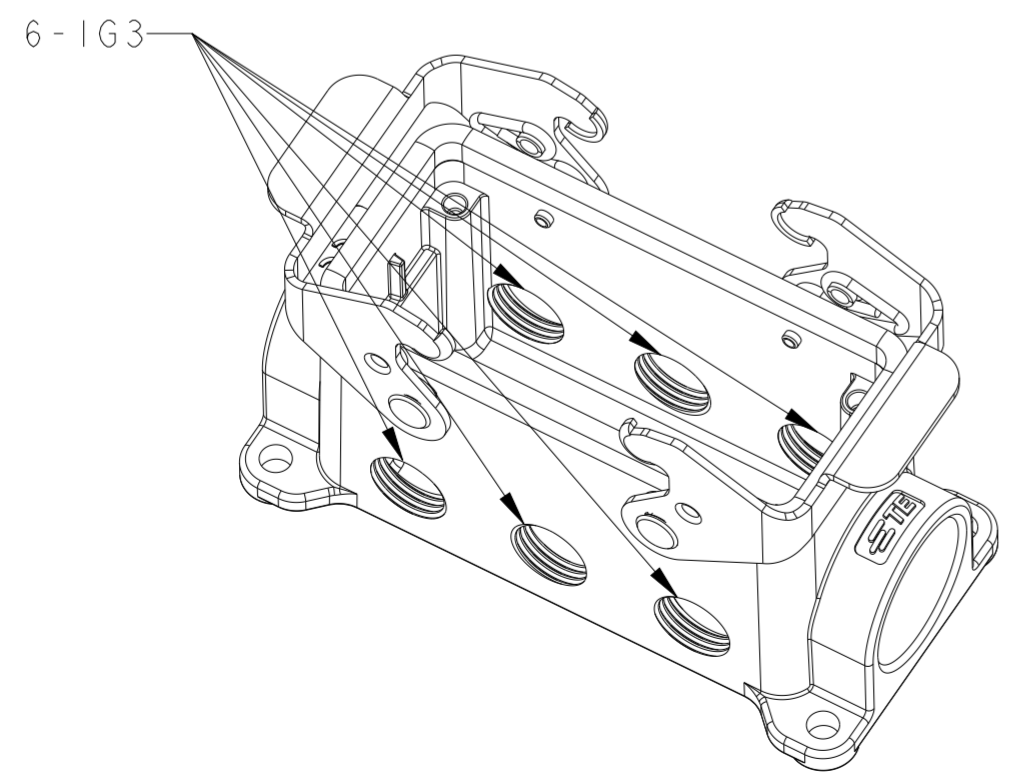
THIS DRAWING IS UNPUBLISHED. RELEASED FOR PUBLICATION 20
 © COPYRIGHT 20 BY - ALL RIGHTS RESERVED.

REVISIONS				
P	LTR	DESCRIPTION	DATE	APVD
-	-	SEE SHEET 1	-	-



TYPE 4: BODY + STEEL LOCKING
 OTHER SPEC REFER TO TYPE 1

TYPE 6: BODY + STEEL LOCKING
 BOTTOM 1 HOLE
 OTHER SPEC REFER TO TYPE 4



TYPE 5: BODY+ STEEL LOCKING
 FRONT/BACK 6 HOLE
 OTHER SPEC REFER TO TYPE 4

ASSEMBLY PART NUMBER	TYPE	ASSEMBLY PART DESCRIPTION	COLOR	IG1	IG2	IG3	IG4
TI440162121-000	TYPE 4	HI6B-SGR-PG21	GRAY	PG21	-	-	-
TI440162125-000		HI6B-SGR-M25		M25	-	-	-
TI440162221-000		HI6B-SGR-2PG21		PG21	PG21	-	-
TI440162225-000		HI6B-SGR-2M25		M25	M25	-	-
TI440161625-000		HI6B-SGR-M25/PG16		M25	PG16	-	-
TI440162521-000		HI6B-SGR-M25/PG21		M25	PG21	-	-
TI440162532-000		HI6B-SGR-M25/M32		M25	M32	-	-
TI440162609-000	TYPE 5	HI6B-SGR-6PG9	-	-	PG9	-	
TI440165125-000	TYPE 6	HI6B-SGR-TM25	-	-	-	M25	

THIS DRAWING IS A CONTROLLED DOCUMENT.

DWN DAVID LI 19JUN2015	 TE Connectivity	NAME HI6B-SGR-PG/M
CHK CHRIS WANG 19JUN2015		SIZE A2
APVD XU XIANG 19JUN2015		CAGE CODE -
PRODUCT SPEC 108-137013		DRAWING NO. C-TI44016XXXXX00
APPLICATION SPEC 114-137013	RESTRICTED TO	SCALE 4:5
MATERIAL -	WEIGHT -	SHEET 2 OF 2
TOLERANCES UNLESS OTHERWISE SPECIFIED:	FINISH -	REV B
0 PLC ±-		
1 PLC ±-		
2 PLC ±-		
3 PLC ±-		
4 PLC ±-		
ANGLES ±-		

CUSTOMER DRAWING

单击下面可查看定价，库存，交付和生命周期等信息

[>>TE Connectivity\(泰科\)](#)