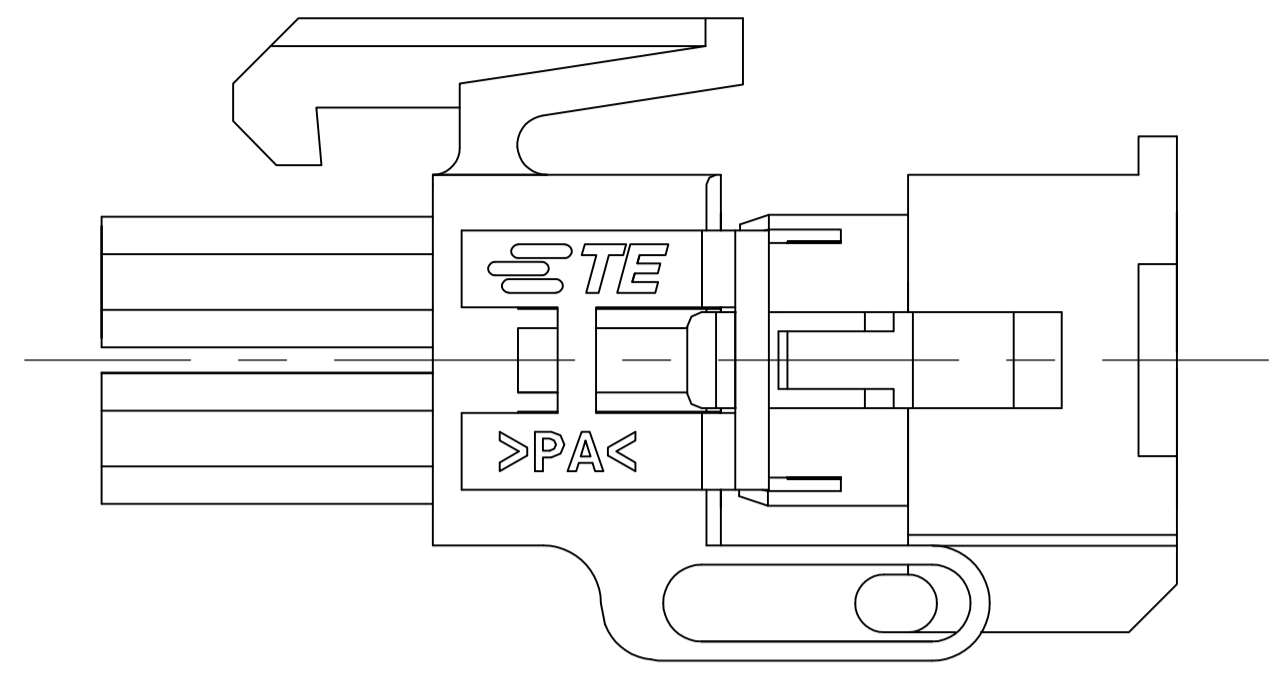
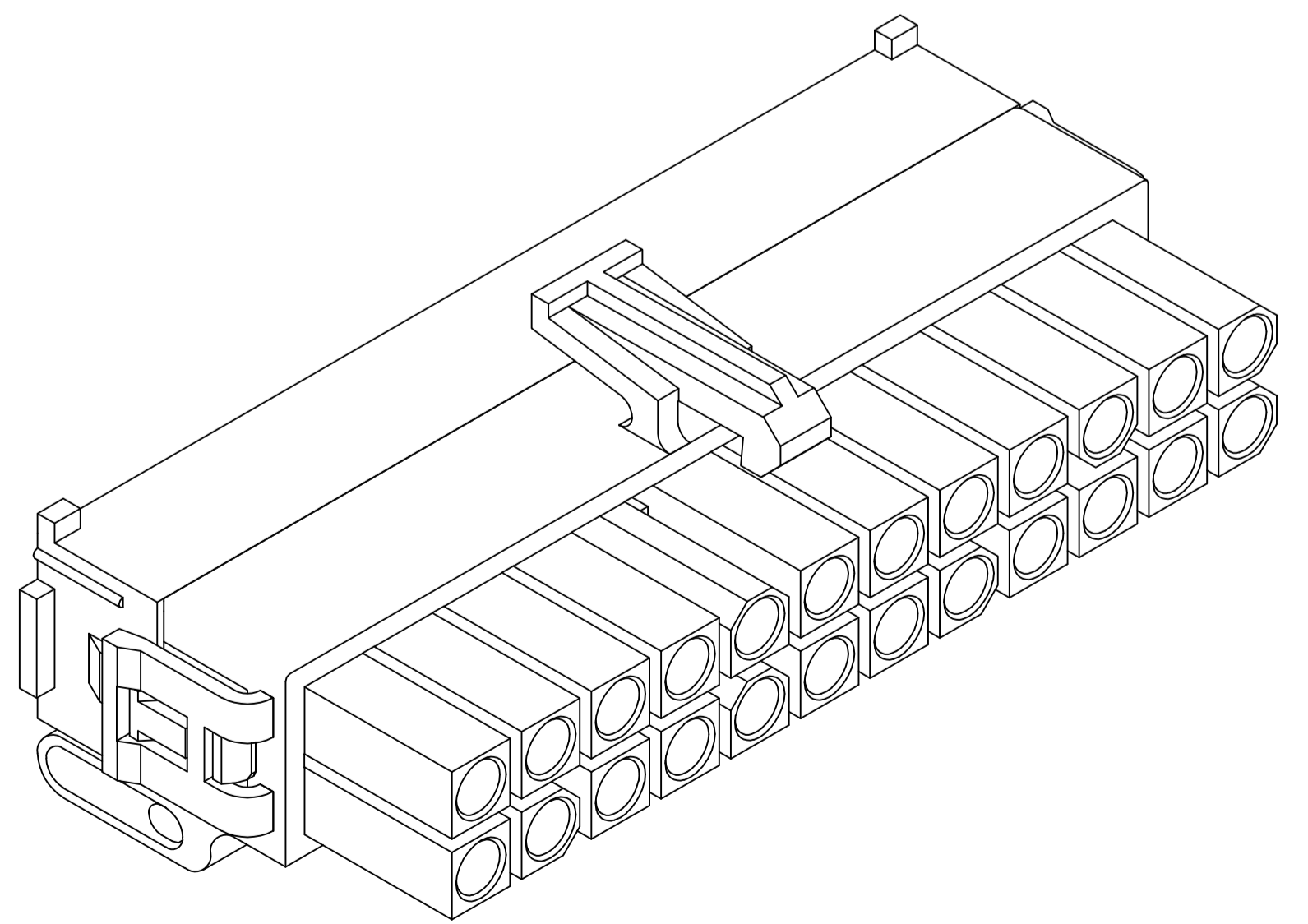
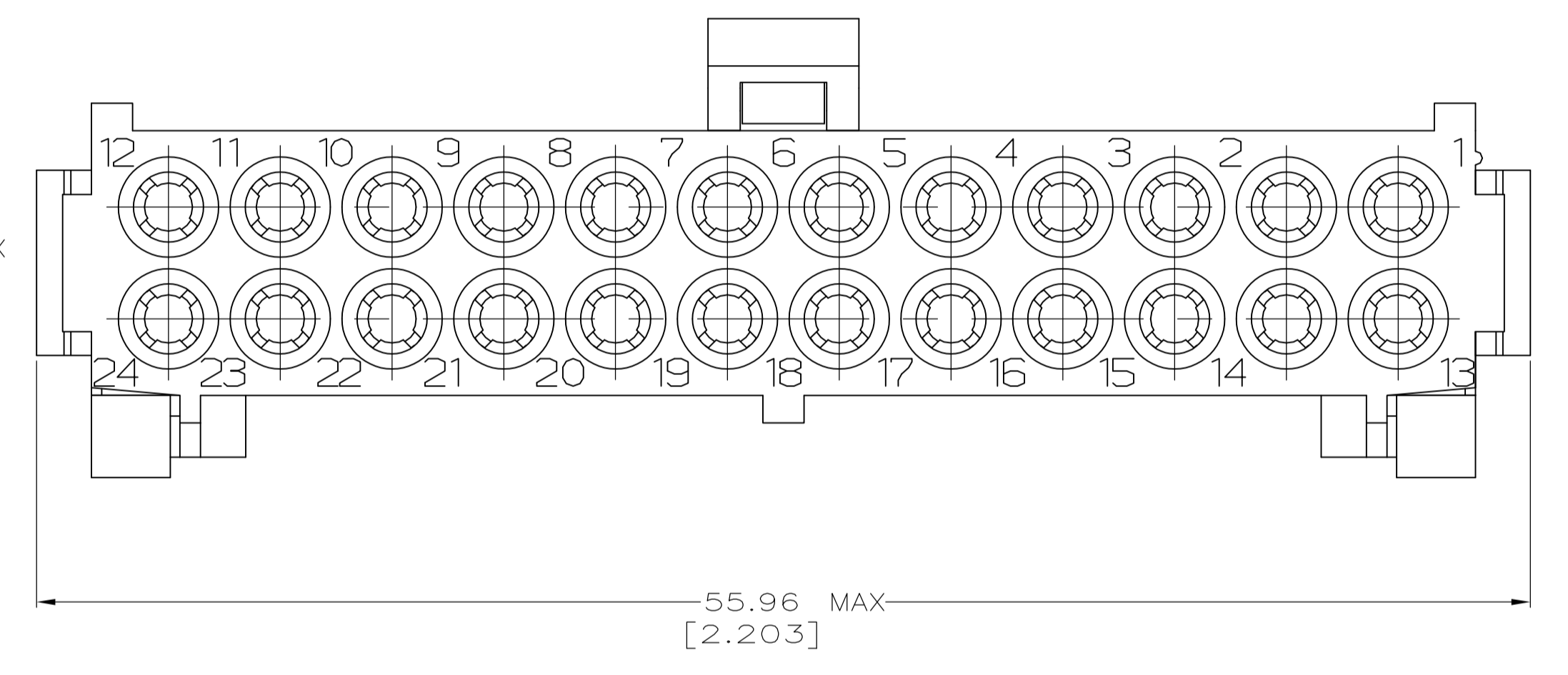
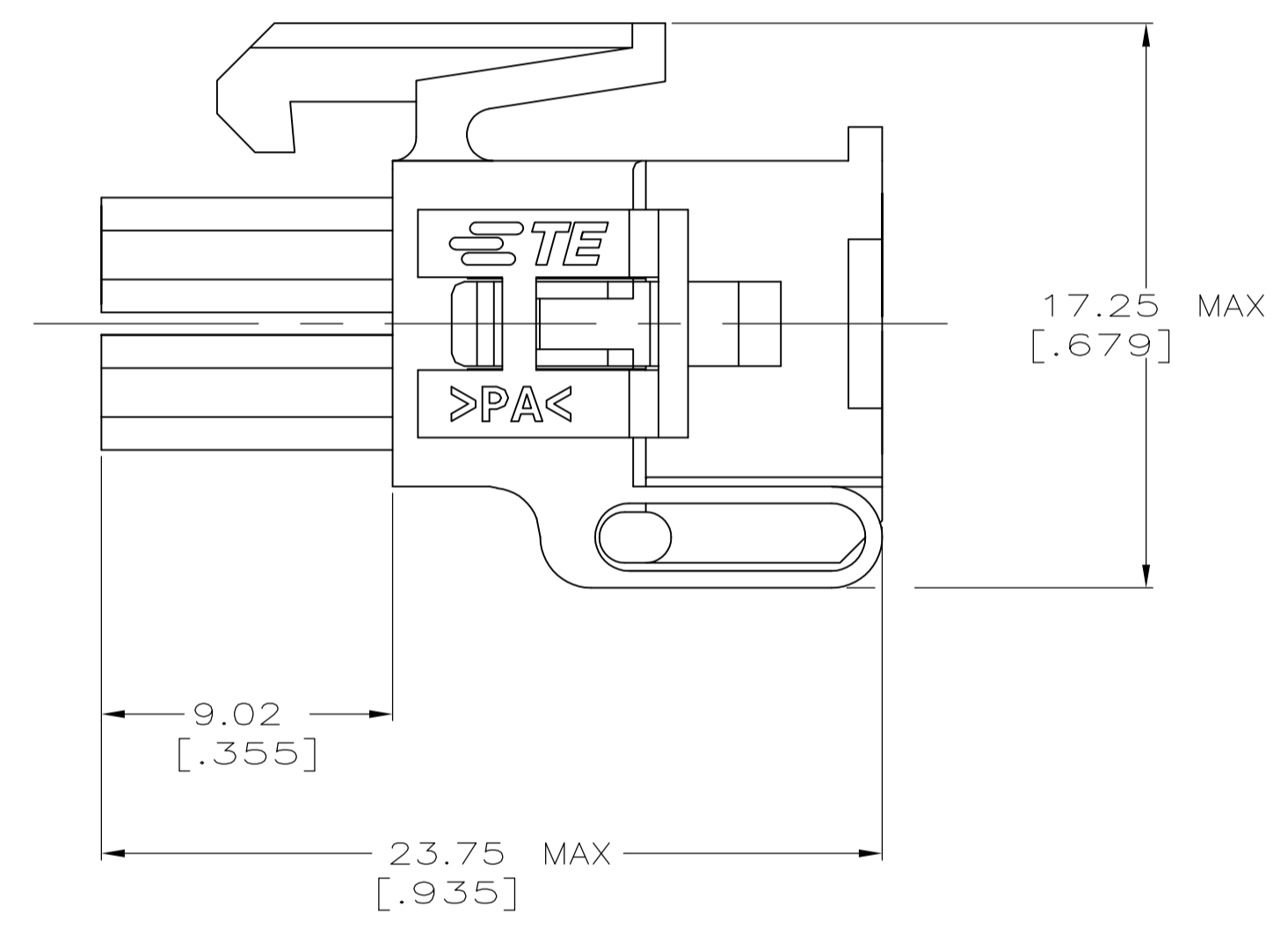
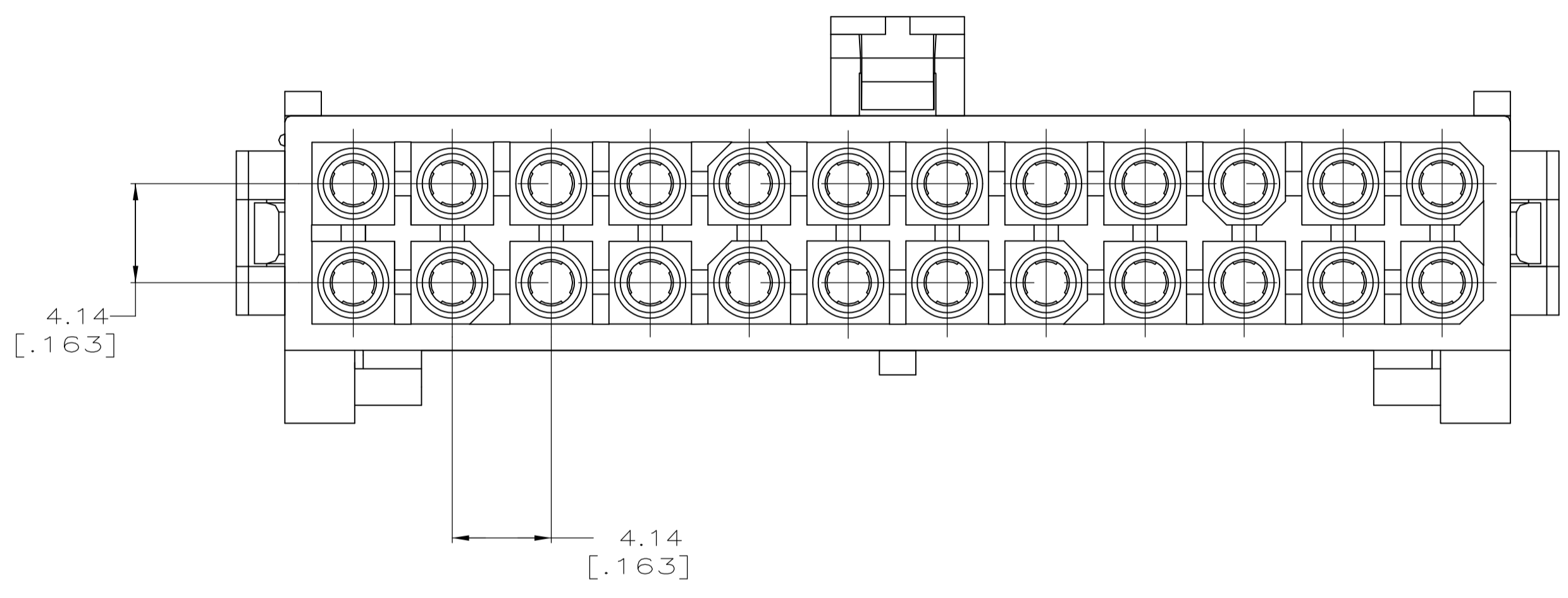


LOC		DIST		REVISIONS			
P	LTR	DESCRIPTION	DATE	DNW	APVD		
CM	53						
C2		REVISED PER ECR 15-003326	06MAR15	SC	KD		

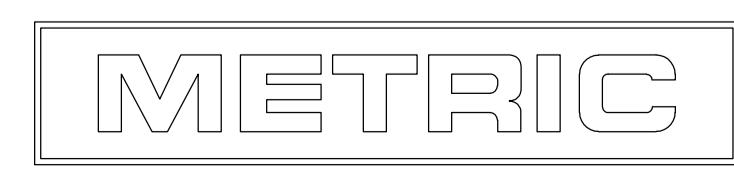
1 DIMENSIONS IN BRACKETS ARE IN INCHES.



PRE-STAGED CONDITION



3-DIMENSIONAL MODEL
NTS



794267-1
PART NUMBER

THIS DRAWING IS A CONTROLLED DOCUMENT.		DIN K. WHITAKER 5-20-97	TE Connectivity
DIMENSIONS: mm [INCHES]		CHK R. SWING 5-20-97	
TOLERANCES UNLESS OTHERWISE SPECIFIED:		APVD R. ORSTAD 5-20-97	NAME PLUG, 24 CIRCUIT, MINI UNIVERSAL MATE-N-LOK
0. PLC ± -		PRODUCT SPEC	SIZE A1
1. PLC ± -		APPLICATION SPEC	CAGE CODE 00779
2. PLC ± -			DRAWING NO 794267
3. PLC ± 0.13 [.005]			RESTRICTED TO
4. PLC ± -			
ANGLES ± -		WEIGHT	
MATERIAL NYLON,	FINISH	CUSTOMER DRAWING	SCALE 5:1 SHEET 1 OF 1 REV C2

单击下面可查看定价，库存，交付和生命周期等信息

[>>TE Connectivity\(泰科\)](#)