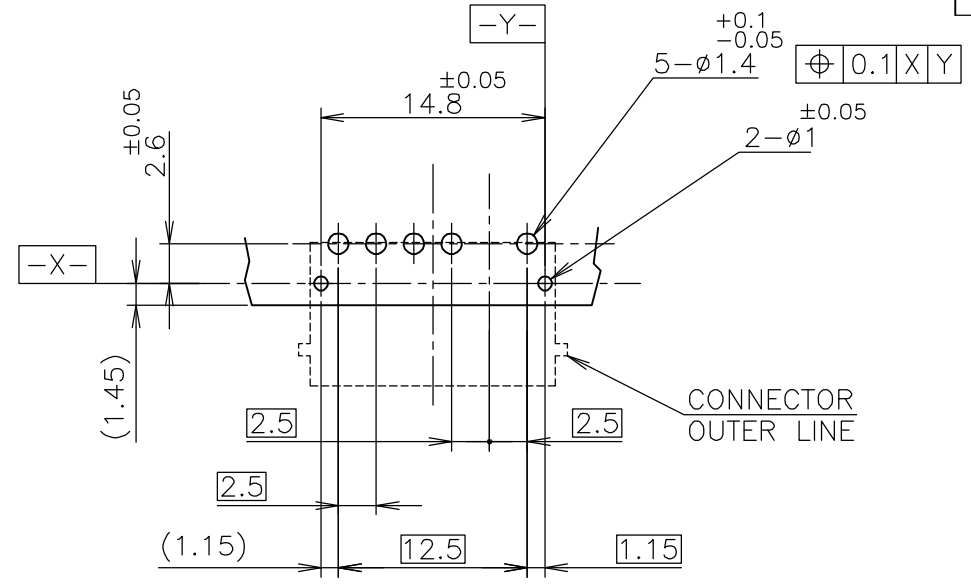
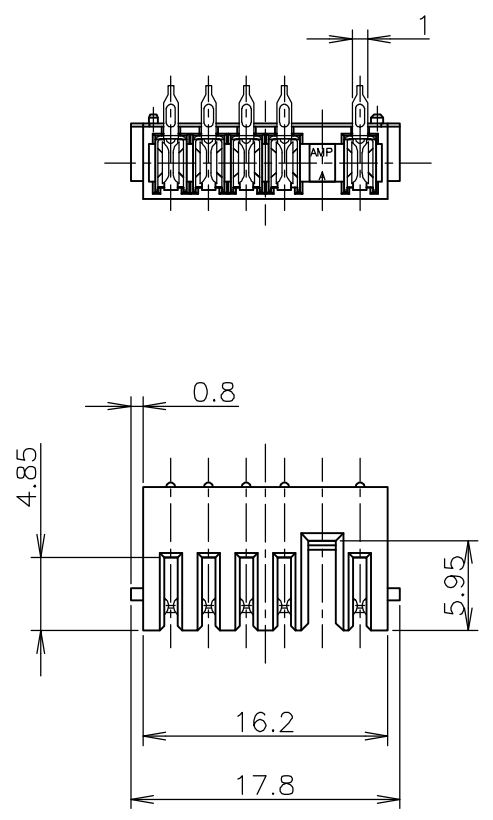


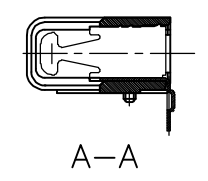
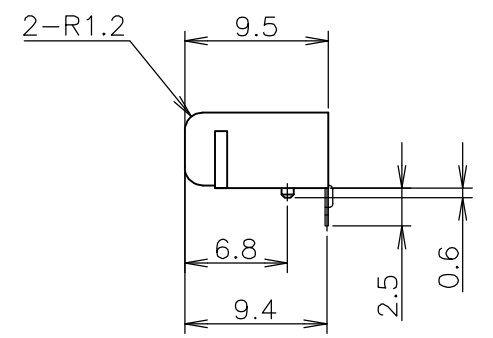
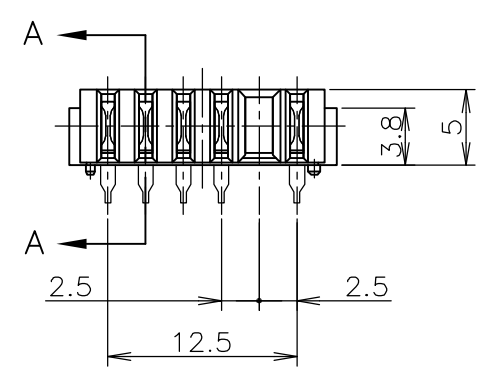
THIS DRAWING IS UNPUBLISHED. RELEASED FOR PUBLICATION OCT, 2004.
 © COPYRIGHT 2004 BY TYCO ELECTRONICS CORPORATION. ALL RIGHTS RESERVED.

LOC	DIST	REVISIONS					
J	/	P	LTR	DESCRIPTION	DATE	DWN	APVD
		A		RELEASED	08OCT04	T.K	K.I



基板取付推奨寸法
 RECOMMENDED P.C.BOARD LAYOUT
 P.C.BOARD THK 0.8~1.2
 (VIEW FROM CONNECTOR MOUNTING SIDE)

- ① 材料 ハウジング : 熱可塑性樹脂 UL94V-0
色 ; 黒
CONTACT : COPPER ALLOY
- ② 仕上げ コンタクト : Ni 下地めっき
接触部 Pb-Ni めっき
接触部 Au フラッシュめっき
半田付け部 すずめっき
- ① MATERIAL HOUSING : THERMOPLASTIC RESIN, UL94V-0
COLOR ; BLACK
- ② FINISH CONTACT : Ni ALL OVER UNDER PL
Pd-Ni PL. AT CONTACT AREA
Au FLASH PL. AT CONTACT AREA
TIN PL. AT LEAD AREA



6318430-1 :AS SHOW

THIS DRAWING IS A CONTROLLED DOCUMENT.		DWN T.KATANO 08OCT04	Tyco Electronics AMP K.K. Kawasaki, Japan	
DIMENSIONS: 単位: 概 mm		CHK T.KIMURA 08OCT04		
TOLERANCES UNLESS OTHERWISE SPECIFIED: 一般公差		APVD K.IKEGAMI 08OCT04	NAME 名称 RECEPTACLE ASSEMBLY	
0 PLC ± -		PRODUCT SPEC 製品規格 108-5652	2.5mm PITCH 2ND BATTERY CONNECTOR	
1 PLC ± -		APPLICATION SPEC 取付適用規格	SIZE A3	CAGE CODE 00779
2 PLC ± -		WEIGHT	DRAWING NO 番号 C-6318430	
3 PLC ± -		MATERIAL 材料 ①	RESTRICTED TO	
4 PLC ± -			CUSTOMER DRAWING	
ANGLES ± -		SCALE 尺度 2:1		SHEET 1 OF 1
FINISH 仕上 ②		REV A		

GENERAL TOLERANCE 一般公差
 10 ≥ : ±0.2
 30 ≥ > 10 : ±0.25
 100 ≥ > 30 : ±0.3
 ANGLES: ±3°

单击下面可查看定价，库存，交付和生命周期等信息

[>>TE Connectivity\(泰科\)](#)